

TWM26 RECESSED

TUNABLE WHITE

MANUFACTURED IN THE UNITED STATES - IBEW



PRODUCT LISTED
BY A NATIONALLY
RECOGNIZED
TESTING
LABORATORY



The TWM26 Recessed features a high CRI output, with tunable white from 1800K - 6500K. Interchangeable reflectors allow beam angles between 10° and 60°. This fixture is perfect for retail applications such as car dealerships and clothing stores but is equally well suited for illuminating artwork or using it in an archtainment setting.

- 2800 Lumen Output
- RDM Values Available: DTW, INT-CCT, CH1-CH2, CH1-CH2-CH3 *
- Tunable range: 1800K-6500K tunable white
- 94 - 97 CRI
- Dimmable from 100 - 0.1% at constant CCT
- <2 MacAdam ellipse over 50,000 hour life
- Casambi Available
- DMX/RDM, 0-10V

* See User Manual.

POWER

- Power Consumption: 38W
- Max. Operating Temp: 104°F (40°C) ambient
- 90 - 305 VAC, 50/60 Hz
- Do not install on a circuit containing a dimmer.
- DMX Addressing is RDM-only.

OPTICS

- 10°, 20°, 40° or 60° field-changeable reflectors

WEIGHT

- 2 lbs.

CALIBRATED CCT SPECIFICATIONS

CCT [K]	TYPICAL CRI
1800 (min)	94
3000	96
3500	97
4000	96
6500 (max)	94

FEATURES

- Fixture is for remodel or new construction.
- ± 20 Aiming Angle.
- Fixture ships with RJ45 connectors
- and terminal blocks for data in/out.

EMITTER 5-YEAR WARRANTY

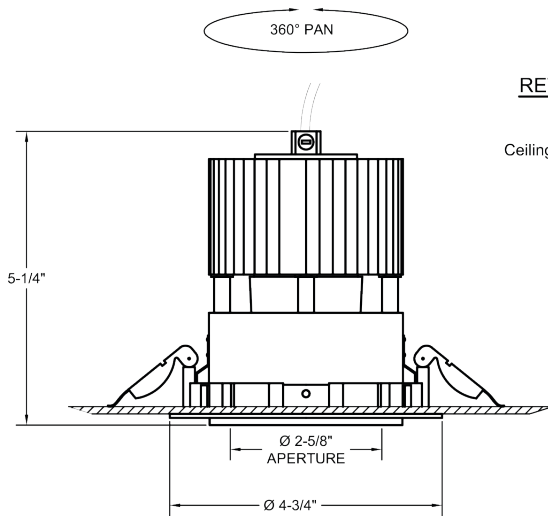
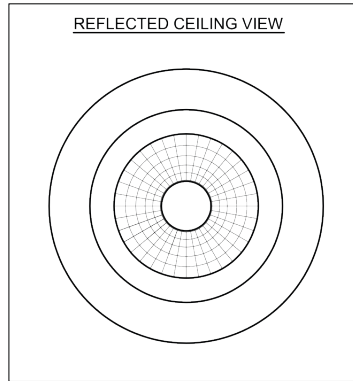
The warranty on the LED Emitter used in this Times Square Lighting product shall have a five year warranty from the date of purchase.

TWM26 RECESSED

TUNABLE WHITE

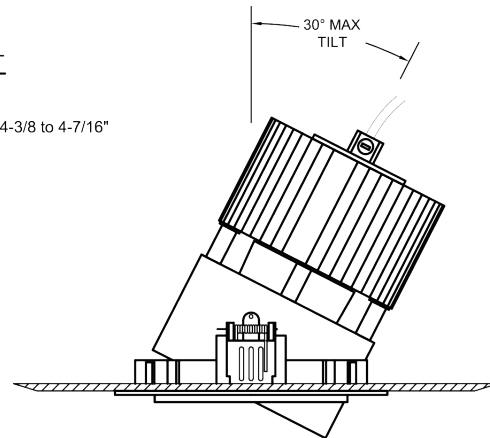
MANUFACTURED IN THE UNITED STATES - IBEW

PRODUCT LISTED
BY A NATIONALLY
RECOGNIZED
TESTING
LABORATORY

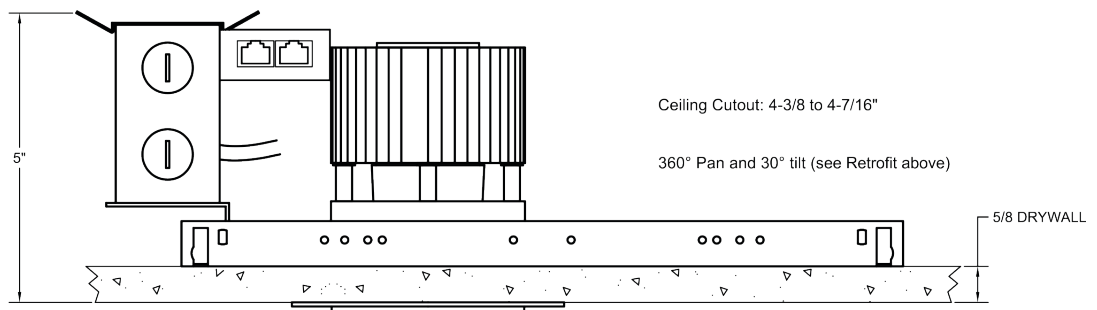


RETROFIT

Ceiling Cutout: 4-3/8 to 4-7/16"



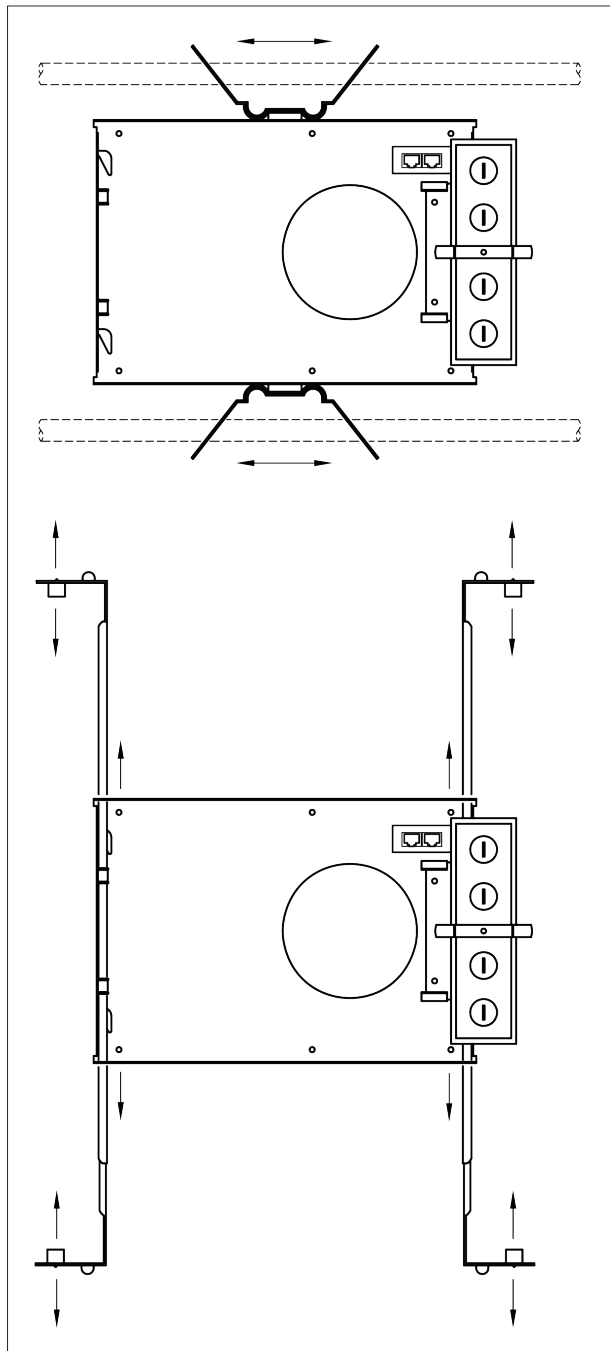
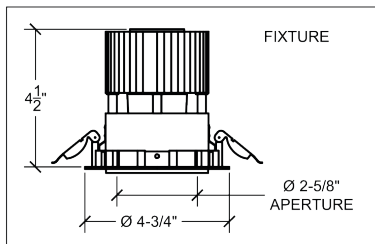
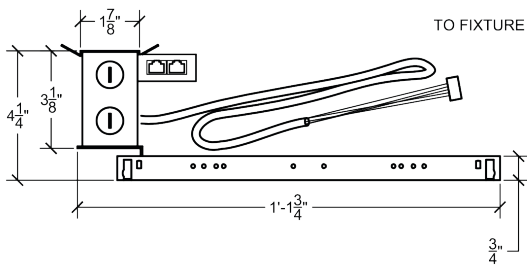
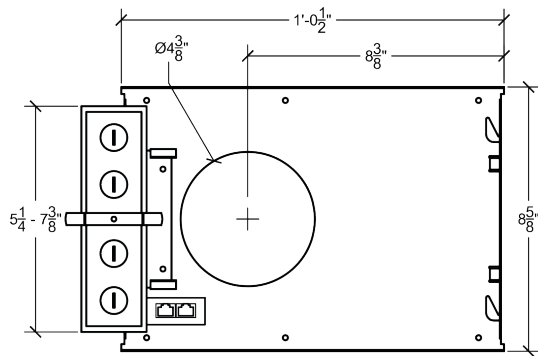
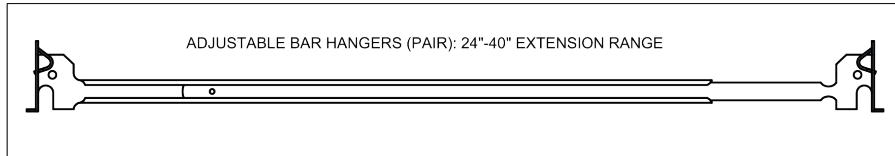
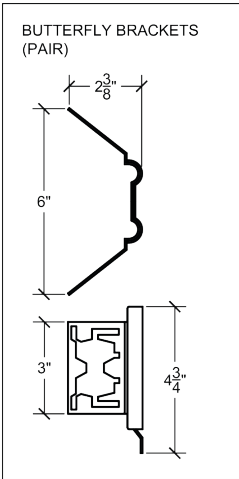
NEW CONSTRUCTION



Ceiling Cutout: 4-3/8 to 4-7/16"

360° Pan and 30° tilt (see Retrofit above)

5/8 DRYWALL



TWM26 RECESSED

TUNABLE WHITE

MANUFACTURED IN THE UNITED STATES - IBEW

PRODUCT LISTED
BY A NATIONALLY
RECOGNIZED
TESTING
LABORATORY

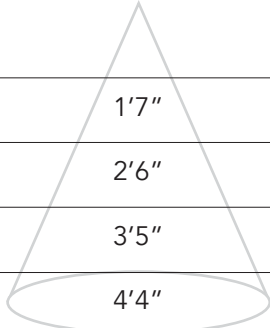


PHOTOMETRIC DATA

* Tested at 3000K.

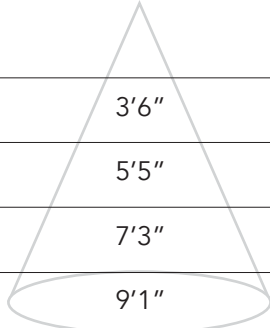
20° Spot Reflector

Distance	Beam Spread	Footcandles
5'	1'7"	241
7.5'	2'6"	107
10'	3'5"	60
12.5'	4'4"	39



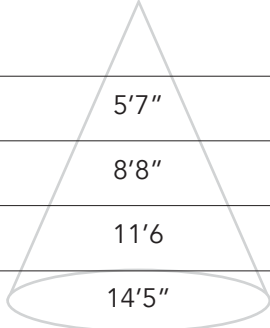
40° Spot Reflector

Distance	Beam Spread	Footcandles
5'	3'6"	144
7.5'	5'5"	64
10'	7'3"	36
12.5'	9'1"	23



60° Spot Reflector

Distance	Beam Spread	Footcandles
5'	5'7"	85
7.5'	8'8"	37
10'	11'6"	21
12.5'	14'5"	13



TWM26 RECESSED

TUNABLE WHITE

MANUFACTURED IN THE UNITED STATES - IBEW



PRODUCT LISTED
BY A NATIONALLY
RECOGNIZED
TESTING
LABORATORY



SPECIFY:

MODEL	FINISH	OPTICS
TWM26	B = Black W = White S = Silver CC = Custom Color	20 = 20° Degree 40 = 40° Degree 60 = 60° Degree
MOUNTING	DIMMING	COLOR TEMPERATURE *
NC = New Construction † RF = Retrofit	DX = DMX / RDM CS = Casambi Wireless 010 = 0-10V	27 = 2700K 30 = 3000K 35 = 3500K 40 = 4000K 50 = 5000K 56 = 5600K 65 = 6500K

† See installation instructions for more detail on New Construction option.

* Fixtures can be pre-programmed to static white with 1-channel DMX for non-tunable white applications.

NOTES ON DIMMING

Visit tslight.com/resources or scan the QR Code.



ORDERING INFORMATION

PROJECT:	
LOCATION:	
QUANTITY:	
CONTACT:	
PHONE:	
EMAIL:	

EXAMPLE: TWM26-B-40-NC-DX-27

MODEL	FINISH	OPTICS	MOUNTING	COLOR TEMPERATURE
TWM26				