

Job Name: Fixture Type: Qty:

Energy Efficient PAR by Times Square Lighting



Conductor CR2

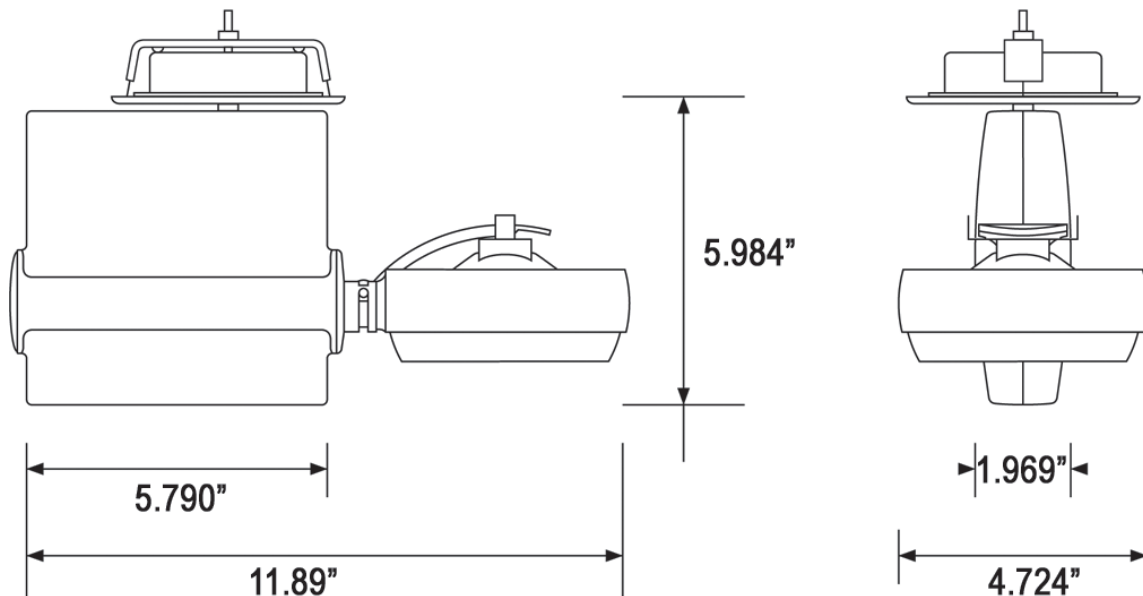
The Conductor CR2 is a remote controlled spotlight that is controllable in pan, tilt and dimmer level using the hand-held controller. The CR2 is also available in a sequencing version which allows the light to move through a sequence of up to ten pre-recorded positions. A range of accessories is available, and CR2 is compatible with most world voltages and frequencies.

The CR2 is ideal for installations where the objects being lit are moved or replaced frequently, such as a ballroom or art gallery. Spotlights that may be difficult or dangerous to reach but still require manual adjustment can be replaced by the safe and easy to use CR2.

Features:

- Die cast aluminum construction
- Individual selection
- Pan & Tilt Rotation 360°/180°
- Beam Control
- Controllable with optional hand-held wireless remote control
- Quick lamp change

Manufactured in the USA - IBEW

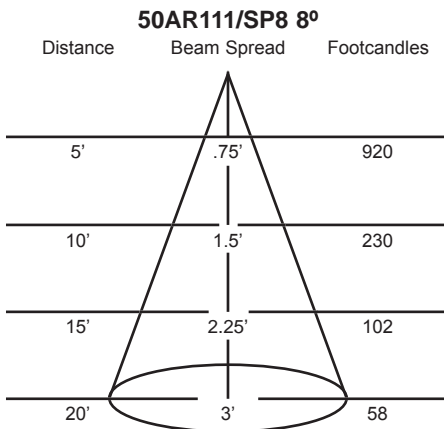
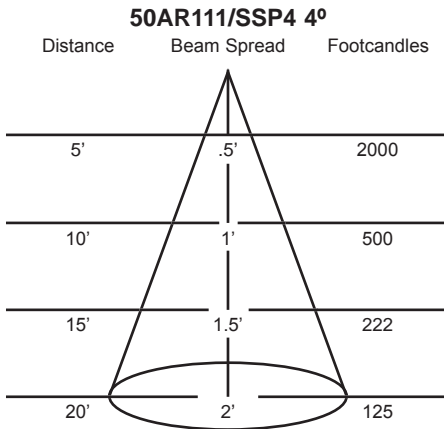


Last updated 09/23/2009.

Specify: Conductor CR2 - - -

	MODEL NUMBER	FINISH	MOUNTING (optional)	ACCESSORIES (optional)
Example:	Conductor CR2	-B	-T1	-LV60

Photometric Data



Lamp Types

*35AR111/SSP4 35W/12V; 3000Hrs; 4° Beam; 40000 CBCP

*35AR111/SP8 35W/12V; 3000Hrs; 8° Beam; 14000 CBCP

*35AR111/FL25 35W/12V; 3000Hrs; 25° Beam; 2500 CBCP

*50AR111/SSP4 50W/12V; 3000Hrs; 4° Beam; 45000 CBCP

*50AR111/SP8 50W/12V; 3000Hrs; 8° Beam; 20000 CBCP

*50AR111/FL25 50W/12V; 3000Hrs; 25° Beam; 4000 CBCP

*75AR111/SP8 75W/12V; 3000Hrs; 8° Beam; 30000 CBCP

*75AR111/FL25 75W/12V; 3000Hrs; 25° Beam; 5300 CBCP

*75AR111/WFL45 75W/12V; 3000Hrs; 45° Beam; 2000 CBCP

*Requires glass safety shield GS60.

Mounting Options

See index for details.

T1

Track adapter for commercial grade 1 and 2-circuit track.

TA2S

Track adapter for specification grade 2-circuit track.

TA3

Track adapter for specification grade 3-circuit track.

CM4

6" Canopy for permanent mounting on standard 4" octagonal outlet boxes.

Times Square Lighting fixtures can be adapted for use on most existing track systems. Please contact us for details.

Accessories

GS60	Glass Safety Shield
GF60	Glass Filter
DF60	Dichroic Filter
LV60	Louver
GF60-600	5°x50° Linear Lens
GF60-601	Beam Softener
GF60-702	UV Blocking Filter
SC-24	Safety Cable

CRM-PRO

The CRM-PRO Professional Controller allows non-technical staff to select, aim and dim the Conductor DR2. Only one controller is needed to operate multiple Conductor CR2 fixtures.



Finish

B	Black
W	White
S	Silver