

Job Name:  Fixture Type:  Qty:

**Dimmers** by Times Square Lighting

**DM1200 Dimmer**



The DM1200 is a compact 1-channel, 1200-watt dimmer with standard DMX512. Its unique feature is that it can be daisy-chained with standard RJ14, 4 conductor telephone wire and therefore set up on a budget. Can be used as a stand alone unit or as part of a dimming system and is available in custom colors.

**Specifications:**

**Mechanical:**

Dimensions: 3.25" (83mm) H x 4" (102mm) W x 6.75" (171mm) L  
Weight: 5 lbs. (2.3 kg)  
Construction: Extruded Aluminum  
Color: Black Standard, Custom Colors Available

**Thermal:**

Cooling Method: Convection  
Max. Ambient Operating Temp.: 40°C

**Electrical:**

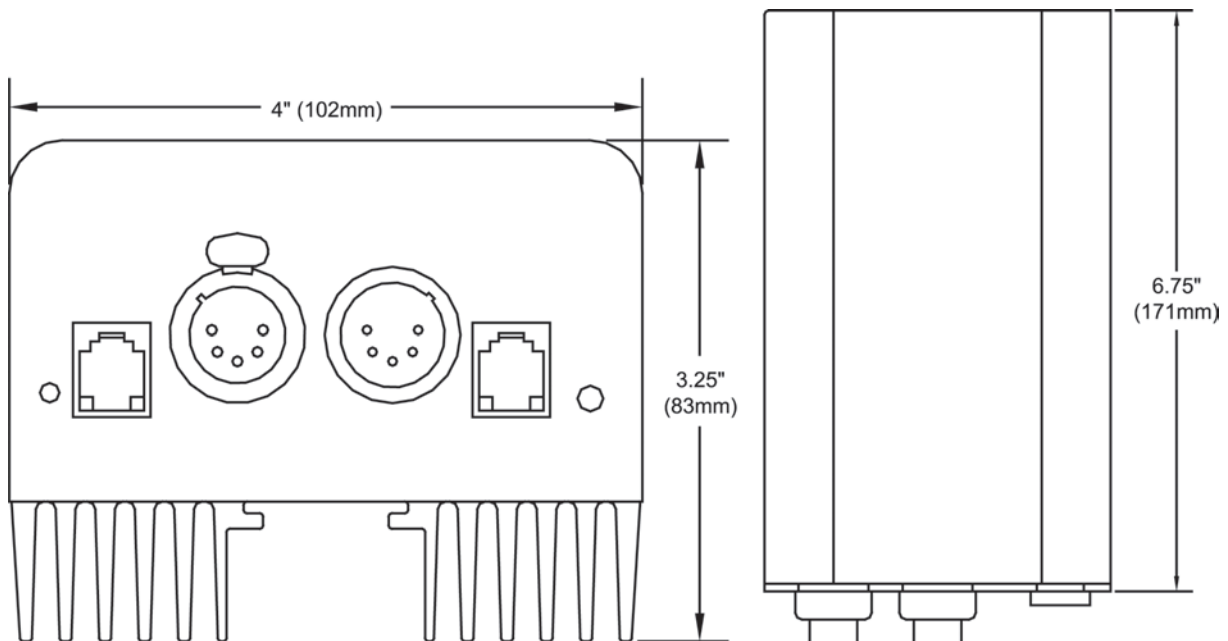
Input: 120Vac, 60Hz  
Capacity: 1200 Watts  
Choke: Encapsulated  
Rise time: 330ms  
Fuse: 3AG, 10 Amp., 120V

**Control:**

DMX512/1990  
5 Pin Neutrik XLR In/Out  
RJ14 In/Out  
Maximum Units w/o Splitter: 32

Manufactured in the USA - IBEW  
Listings: ETL, cETL

Mounting:  
Table top  
Side mount to fixture  
C-clamp



Last updated 11/08/2007.