

Job Name:  Fixture Type:  Qty:

## Pattern/Framing Projectors by Times Square Lighting



### JR150 150W CDM Projector

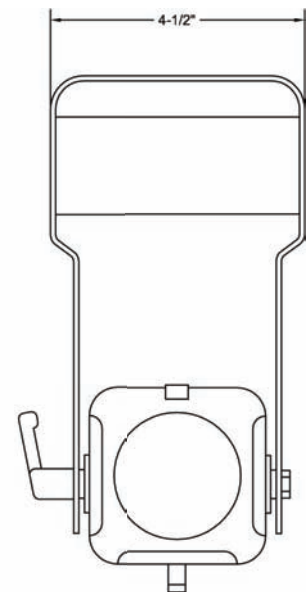
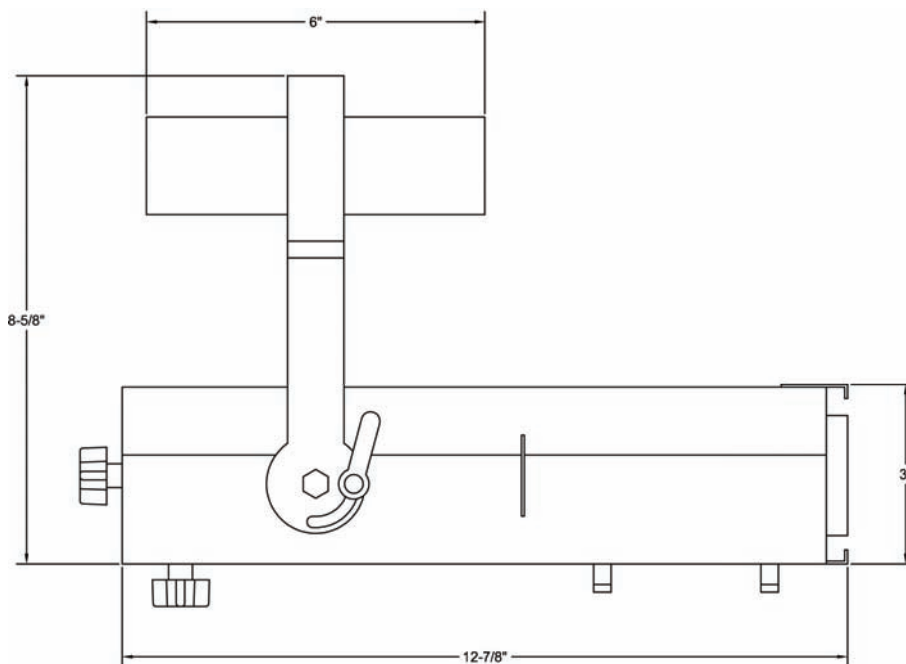
The JR150 utilizes 150-watt metal halide CDM lamps and sports a compact, attractive housing. This energy efficient unit projects stock and custom patterns with a beam equal to a 500-watt quartz ellipsoidal.

The JR150 is equipped with a lightweight electronic ballast, built-in accessory holder and locking yoke. Available in standard black, white and silver finishes. Custom colors available by request and at an additional charge.

#### Features:

- 120 and 277-volt available
- 30°-50° Beam spread
- Accepts 150-watt metal halide T6 lamps
- Energy efficient
- Long lamp life (12,000Hrs)
- Stock or custom, steel or glass patterns
- Numerous mounting options and accessories

Manufactured in the USA - IBEW

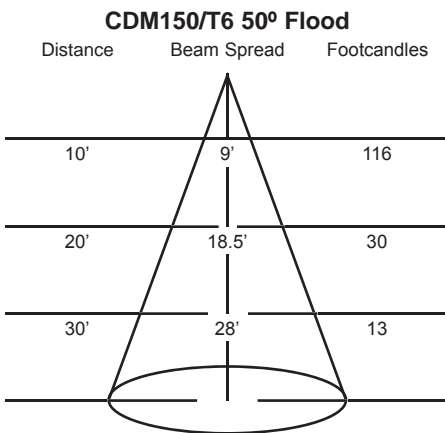
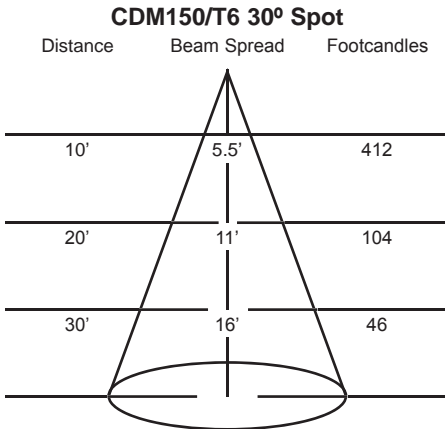


Last updated 08/12/2009.

Specify: JR150 - -

	MODEL NUMBER	FINISH	MOUNTING (optional)	ACCESSORIES (optional)
Example:	JR150	-B	-T1	-GF4

## Photometric Data



## PC9M

Heavy duty pipe clamp for pipes up to 2" O.D.

## CM4

6" Canopy for permanent mounting on standard 4" octagonal outlet boxes.

## Accessories

FSE	Framing Shutters
PHE	Pattern Holder
PDE	Pattern Donut
SPE	Stock Pattern Steel
CPE	Custom Pattern Steel
GPE	Custom Pattern Glass
GPE2	Custom Pattern Glass 2-Color
GPE4	Custom Pattern Glass 4-Color
CF4	Color Frame
GF4	Glass Color Filter
DF4	Dichroic Color Filter
GF4-702	UV Blocking Filter
CC18	Coiled Cord
ZI	Iris

## Finish

B	Black
W	White
S	Silver
CC	Custom Color

## Patterns

For standard and custom patterns please see index. For a complete list, please contact a Times Square Lighting representative.



## Lamp Types

**CDM150/T6/830** 150W; 12000Hrs; 3000K Color Temp

**CDM150/SA** 150W; 5000Hrs; 4200K Color Temp

## Mounting Options

### TA2S

Track adapter for specification grade 2-circuit track.

### HTA2

Track adapter for specification grade 2-circuit 277-volt track.

### TA3

Track adapter for specification grade 3-circuit track.

### US1

Unistrut adapter.

### MN

Medium duty pipe clamp for pipes up to 2" O.D.

## Pattern Rotator

5300

Mini Spin (variable speed pattern rotator)

