

Job Name: Fixture Type: Qty:

LED Series by Times Square Lighting



Micro Dive Mini Underwater LED

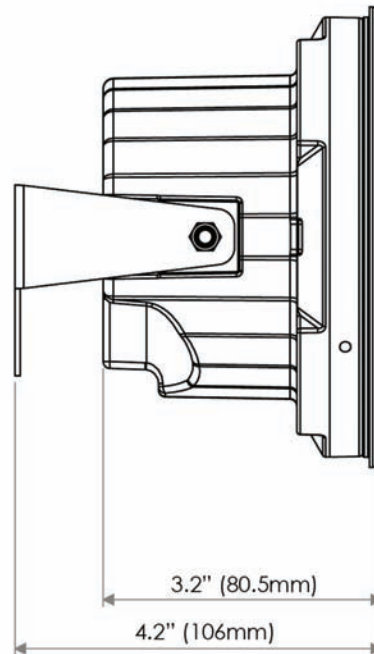
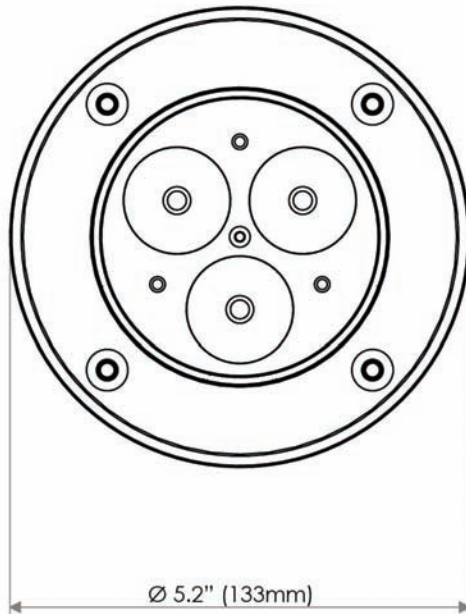
The Micro Dive is a mini-sized 3W, full color LED color changer specifically designed for underwater applications that features an IP68 protection rating.

The Micro Clip can be controlled by any DMX512 console or operate in stand alone or master/slave mode with built-in programs.

Features:

- 3 high-power, 3W, full-color LEDs
- Long-life, 100,000 hour LEDs
- IP68 weather protection
- Die cast aluminum body
- Scratch resistant 100% polyester black finish
- Adjustable mounting yoke

Available models	
AL1840	Micro Dive 12°
AL1841	Micro Dive 28°
AL1842	Micro Dive 40°



Last updated 05/04/2009.

Micro Dive Mini Underwater LED

Specify: Micro Dive AL_____

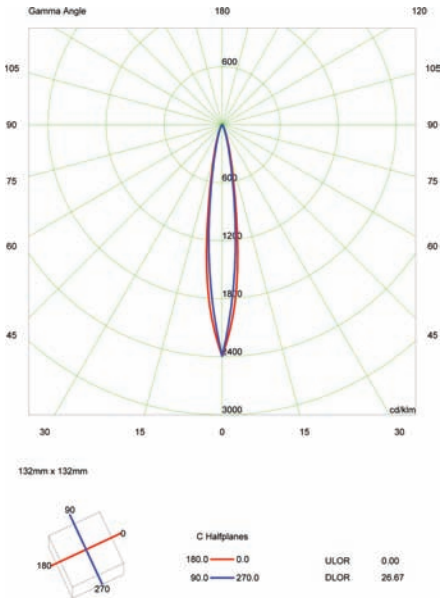
MODEL NUMBER

ACCESSORIES (optional)

Example: Micro Dive AL1840

-AD4110

Photometric Data (12°)



Optics/Lamp Types

Model AL1840 3 3W RGB LEDs;
100,000Hrs; 12° Lens

Model AL1841 3 3W RGB LEDs;
100,000Hrs; 28° Lens

Model AL1842 3 3W RGB LEDs;
100,000Hrs; 40° Lens

Accessories

AD4110	IP65 Universal DMX controller
AL1855	Transformer Box
AL1856	Transformer Box