

Job Name: Fixture Type: Qty:

LED Series by Times Square Lighting



Micro Dune LED Landscape Light

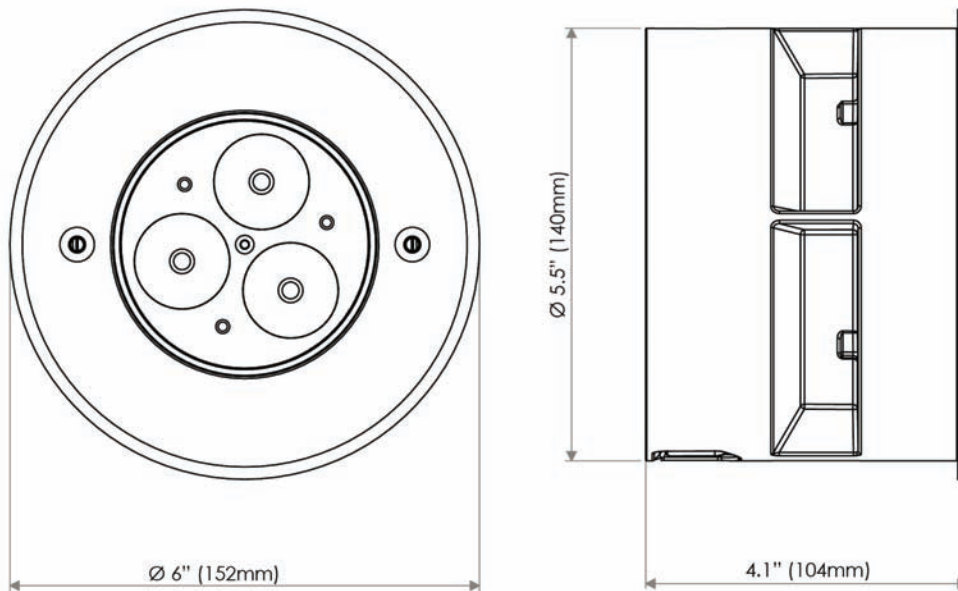
The Micro Dune is an ultra-compact 3W, full color LED colour changer engineered for exterior recessed applications. The electronic color mixing system produces a countless variety of color hues through high-luminance LEDs.

Micro Dune Features and IP68 weather protection rating and its 4,400 lbs. (2,000 kg) deadweight load capacity makes it suitable for ground mounting applications even in areas with vehicle traffic. The Micro Dune can be controlled by any DMX512 console or operate in stand alone or master/slave mode with built-in programs.

Features:

- 3 high-power, 3W, full-color LEDs
- Long-life, 100,000 hour LEDs
- IP68 weather protection
- 4400 lbs. load rating
- Die cast aluminum body
- Scratch resistant 100% polyester black finish

Available models	
AL1830	Micro Dune 12°
AL1831	Micro Dune 28°
AL1832	Micro Dune 40°



Last updated 05/04/2009.

Micro Dune LED Landscape Light

Specify: Micro Dune AL_____

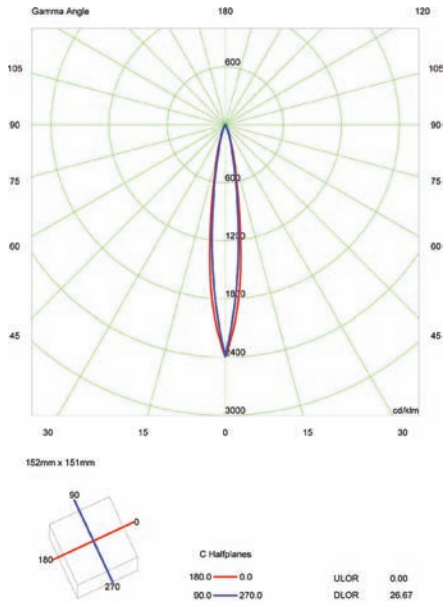
MODEL NUMBER

ACCESSORIES (optional)

Example: Micro Dune AL1830

-AD4110

Photometric Data (12°)



Optics/Lamp Types

Model AL1830 3 3W RGB LEDs;
100,000Hrs; 12° Lens

Model AL1831 3 3W RGB LEDs;
100,000Hrs; 28° Lens

Model AL1832 3 3W RGB LEDs;
100,000Hrs; 40° Lens

Accessories

AD4110	IP65 Univesal DMX controller
AL1855	Transformer Box
AL1856	Transformer Box