

### GENERAL INFORMATION

SmartModules are small portable self-contained dimmer units with 6 connectorized dimmers at 1200W each. The SmartModule system provides a practical and versatile alternative dimming system for small venues, rental applications and industrial presentations. Additional connections needed are main power and DMX data.

**APPLICATIONS** Applications requiring distributed dimming and position flexibility:

- Industrial productions

- Rental productions

Multi-use venues: gymnasiums, cafeteriums, multimedia rooms

- Convention and conference centers

- TV Studios

- Casinos

- Discos

Suitable for portable or permanent installation

### FEATURES

- Six 10A dimmers per unit

- Digital triac dimming

- Convection cooled

- Integrated suspension points for pipe mounting

- Choice of output connectors

- DMX 512A compliant

- LCD display with graphic channel level indication

- Local manual control, built-in presets and sequencer for stand alone operation

- User-selectable dimmer curves

- Individual channel features: non-dim, max & min levels, response speed

### ORDERING INFORMATION

#### SmartModule

Model#	Description
SM6-10-A	6 x 10A (1200W) SmartModule with Edison connectors
SM6-10-B	6 x 10A (1200W) SmartModule with Stage Pin connectors
SM6-10-C	6 x 10A (1200W) SmartModule with Twist-Lok connectors

#### SmartModule Accessories

Model#	Description
400CC	C-Clamps
400SC	Safety cable



### SPECIFICATIONS

<b>GENERAL</b>	<p>Six 10A dimmers</p> <p>Underwriters Laboratories cUL Marked, tested and listed to the following standards: UL508 (File: E152039)</p> <p>Complies with ESTA DMX512-A Standards</p> <p>Installation requires attachment of safety cables, main power and data via DMX</p>
<b>MECHANICAL</b>	<p>Manufactured of aircraft quality anodized aluminum with a black anodized finish</p> <p>Integrated suspension points (threaded studs) for mounting hardware such as C-clamps</p> <p>Eyehook for safety cable attachment</p>
<b>ELECTRICAL</b>	<p>120V 60Hz Mains supply</p> <p>120/208 Three-phase 4-wire plus ground, 20A feed</p> <p>Power feed via a flange-mount Twist-Lok inlet (HBL2515)</p> <p>10W Minimum load per dimmer</p> <p>Circuit breaker per dimmer for load protection</p> <p>Edison, Stage Pin or Twist-Lok outlets</p>
<b>THERMAL</b>	<p>Maximum operating temperature up to 78°C (172°F)</p> <p>Humidity between 30 – 95% non-condensing</p> <p>Convection cooled - operates without cooling fans or filters.</p> <p>Optimum cooling when mounted horizontally with the control panel vertical (or upright)</p>

### CONTROL FEATURES

DMX512 In and Thru via 5Pin XLR connectors

Supports up to 32 SmartModules on one DMX line

High contrast 2-line by 20-character backlit LCD with graphic channel level indication

9-button keypad plus arrow array and Enter button

2 status LED indicators: Power and Valid DMX

Soft patch any dimmer to any DMX channel

Programmable options per channel: max/ min levels, response time, non-dim operation, dimmer curve

Local manual control and 20 preset chase patterns for stand alone operation

Programmable start modes with soft start for higher wattage lamps and burst start for cold filaments

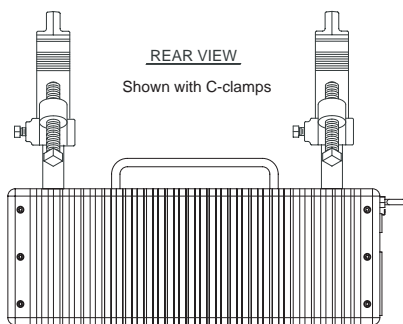
DMX Backup settings - Selectable Data Loss Behavior

Password protection for access to DMX, Configuration and Install menus

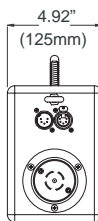
### PHYSICAL

#### SmartModule Dimensions

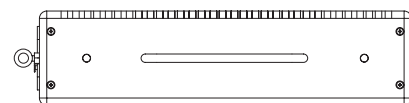
Model	Height		Width		Depth		Weight	
	inches	mm	inches	mm	inches	mm	lbs	kgs
SM6-10	8.66	225	4.92	125	17.75	451	20	9.1



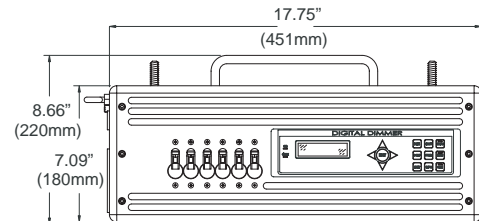
**SIDE VIEW**



**TOP VIEW**



**FRONT VIEW**



**BOTTOM VIEW**

