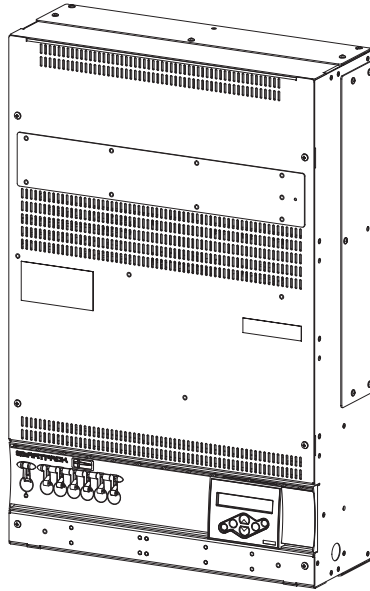


SmartPack® Wall Mount

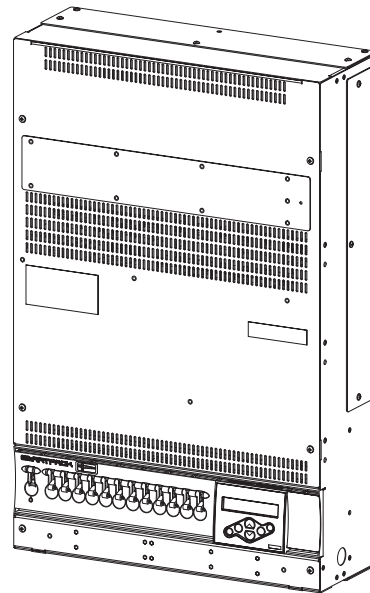
Smart Solutions Series



SL620W



SL1210W



GENERAL INFORMATION

The extreme functionality of the SmartPack built into a compact affordable wall mount unit. This small wall mount pack provides easy operation and reliability as well as quiet performance.

SmartPack Wall Mount comes standard with SmartLink control. When used with the optional LinkPower Supply, the system allows up to four SmartLink Stations to be connected for remote operation of presets and sequences.

- APPLICATIONS**
- Ballrooms
 - Restaurants
 - Churches
 - Multi-purpose rooms
 - Small corporate meeting rooms
 - Small performance spaces
- PERFORMANCE**
- Safe and reliable operation
 - Versatile control via DMX-512 and/or SmartLink
 - Built-in presets and sequencer for stand-alone operation
- FEATURES**
- 6 or 12 dimmer units available
 - Capable of dimming multiple load types
 - Small compact design
 - Ultra-quiet temperature controlled fan
 - Fully rated magnetic circuit breakers
 - UL924-listed Emergency Contact Input
 - Full compliance with UL, cUL, FCC and CE regulations

ORDERING INFORMATION

SmartPack Wall Mount

Model#	Description
SL620W	6 x 20A SmartPack Wall Mount
SL620W-LPS	6 x 20A SmartPack Wall Mount with LinkPower Supply
SL1210W	12 x 10A SmartPack Wall Mount
SL1210W-LPS	12 x 10A SmartPack Wall Mount with LinkPower Supply

SmartPack Wall Mount Accessories

Model#	Description
SMPK-RMW	Rack mount kit for SmartPack Wall Mount

SmartLink Accessories

Model#	Description
S-LPS	LinkPower Supply kit
S-10005	SmartLink 5-button Station*
S-10010	SmartLink 10-button Station*

*Stations require one Link Power Supply per system
Only one Link Power Supply allowed per system.
Four stations supported.



SmartPack® Wall Mount

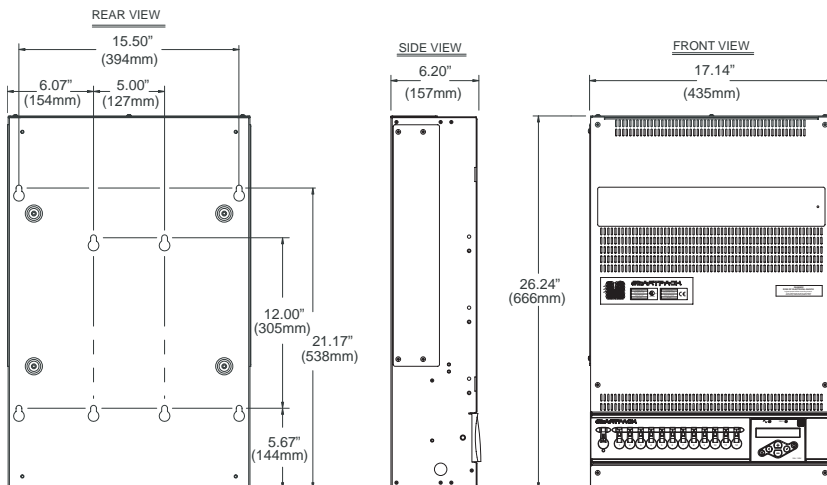
Smart Solutions Series

SPECIFICATIONS

GENERAL	<p>Approvals and Certifications: Underwriters Laboratories cUL Marked, tested and LISTED to the following standards: UL508 (File: E152039) UL924 (File: E242514) UL Only Complies with ESTA DMX512-A Standards</p>
ELECTRICAL	<p>Maximum feed capacity: 3 x 40A, Three Phase, 4-wire & ground 2 x 60A, Single Phase, 3-wire & ground Easily switches from single phase to three phase Input voltage range from 85 - 140VAC, 47 - 63 Hz Input lugs rated for up to 2AWG Standard output connections via DIN Rail spring terminals, rated for up to 8AWG Fully rated magnetic circuit breakers to eliminate nuisance tripping High quality 200µs toroidal filters Modular SCR and bonded heat sink assembly with superior thermal transfer, surge and short-circuit immunity 2500V isolation between control and power components</p>
CONTROL WIRING	<p>Removable terminals for DMX512, SmartLink and UL924-listed Emergency Contact Input rated for maximum of 12AWG wire</p>
MECHANICAL	<p>16-gauge steel construction Fine-textured, scratch resistant paint Removable knockout panels with pass-through plenum for side-by-side or top-to-bottom mounting configurations (sides, top and bottom) Full front access (side clearance not required) Optional rack mount kit (requires 15U spacing) Recessed control connectors and protected circuit breakers</p>

THERMAL	<p>Ambient operation temperature between 32°F (0°C) and 104°F (40°C) Humidity between 30-95% (non-condensing) Fan-forced airflow from bottom to top Low noise temperature controlled fan Efficiency = 96% or better, maximum dissipation 3% of connected load (Max. 3,100 BTUs)</p>
USER INTERFACE	<p>High-contrast 20-character by 2-line backlit LCD 6-button menu-navigation keypad Power status indicator LED (Blue) DMX status indicator LED (Green)</p>
FEATURES	<p>DMX addressing via keypad Soft patch any dimmer to any DMX channel 32 programmable presets Sequencer with programmable fade and hold times allows stand-alone operation SmartLink control for presets and sequence Optional LinkPower Supply powers four stations Auto-Restart function returns unit to previous state when power is cycled Control-power switch puts unit in stand-by mode Non-volatile Flash preset storage Capable of dimming multiple load types: incandescent, low voltage, 2-wire fluorescents Five selectable dimmer output curves: IES modified square law Linear Switched (50% threshold, non-regulated) Fluorescent with adjustable cut-off Adjustable Pre-Heat UL924-listed contact input instantly switches selected loads on, while switching others off Multi-lingual interface – English, French, German and Spanish</p>

PHYSICAL



SmartPack Wall Mount Dimensions

Model	SL620W	SL1210W
Height	26.24 inches 666 mm	26.4 inches 666 mm
Width	17.14 inches 435 mm	17.14 inches 435 mm
Depth	6.20 inches 157 mm	6.20 inches 157 mm
Weight	46.2 lbs. 20.96 kg	48.0 lbs. 21.77 kg