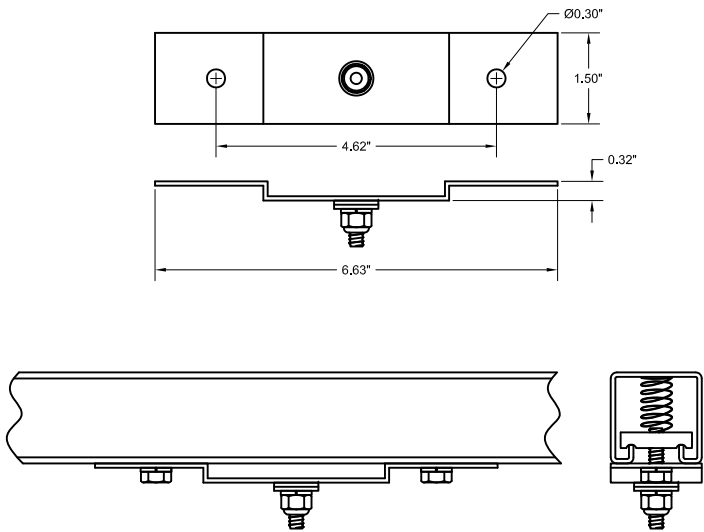
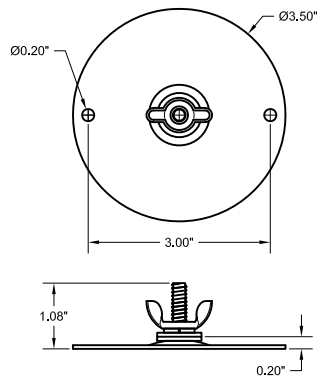


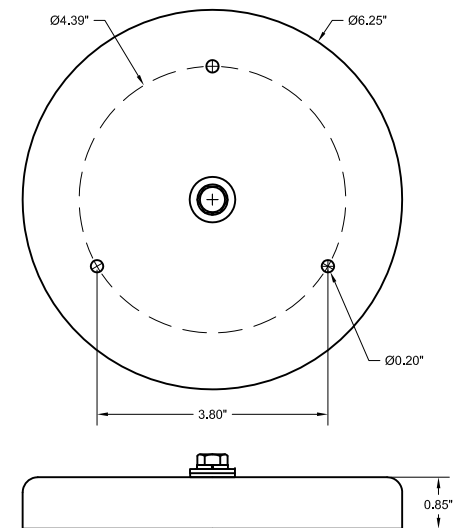
**US1 Unistrut Adapter** for mounting fixtures to standard Unistrut, Kindorf, or the like. Fixture mounting stud is 1/4"-20 TPI x 1/2", locking nut provided.



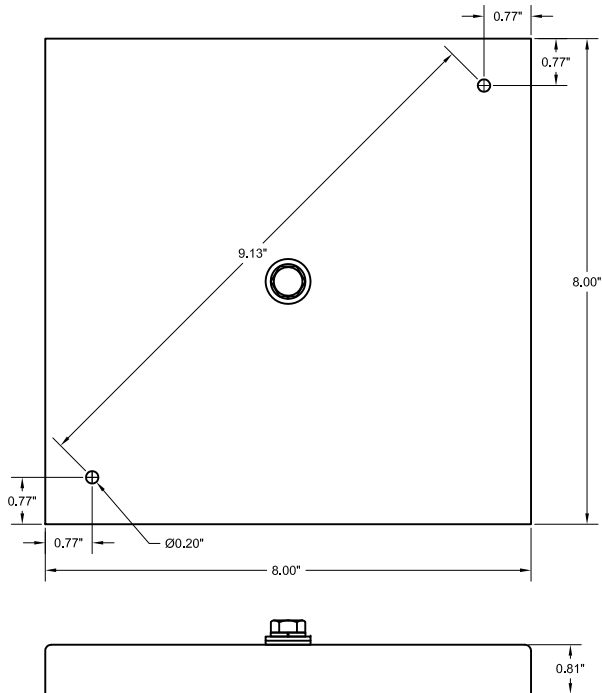
**TB3 Table Base** for lightweight fixtures can be mounted to any flat surface. Fixture mounting stud is 1/4"-20 TPI x 7/8", wingnut provided.



**TB4 Table Base** for lightweight fixtures can be mounted to any flat surface. Fixture mounting bolt is 1/4"-20 TPI x 1/2".



**TB8 Table Base** for heavy fixtures can be mounted to any flat surface. Fixture mounting bolt is 5/16"-18 TPI x 1/2".



**CM4 Canopy** can be mounted to any standard electrical box using the provided Adapter Plate. Fixture mounting nipple with nut is 1/4"-18.

