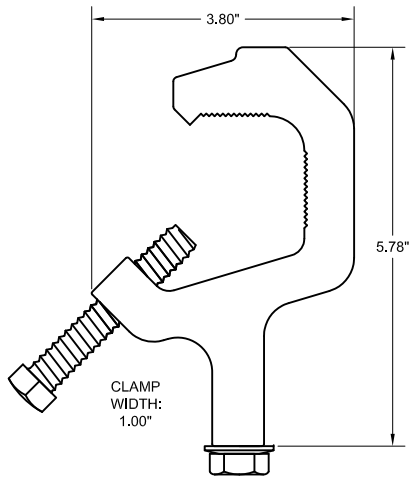
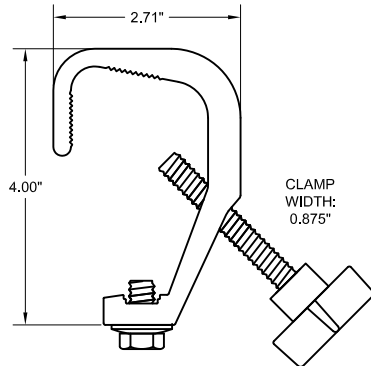


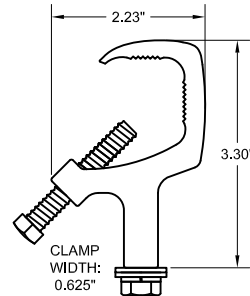
PC9M Heavy duty Clamp for 1" to 1-1/2" pipe (1-1/4" to 2" OD tube). 600 pound weight rating. Pipe bolt is 1/2"-13 TPI x 3". Fixture bolt is 1/2"-13 TPI x 1".



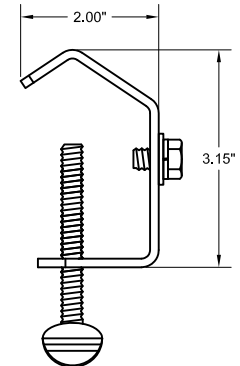
MN Medium duty Clamp for 3/8" to 1-1/2" pipe (3/4" to 2" OD tube). 150 pound weight rating. Pipe bolt is 3/8"-16 TPI x 2-1/2". Fixture bolt is 3/8"-16 TPI x 3/4".



MC Medium duty Clamp for 1/4" to 1" pipe (5/8" to 1-5/16" OD tube). 125 pound weight rating. Pipe bolt is 5/16"-18 TPI x 2". Fixture bolt is 5/16"-18 TPI x 1/2".



PCE Light duty Clamp for 1/8" to 1-1/2" pipe (1/4" to 2" OD tube). 50 pound weight rating. Pipe bolt is 5/16"-18 TPI x 2-1/2". Fixture bolt is 5/16"-18 TPI x 1/2".



PCL Light duty Clamp for 1/8" to 3/4" pipe (1/8" to 1" OD tube). 20 pound weight rating. Pipe bolt is 1/4"-20 TPI x 1-1/2". Fixture bolt is 1/4"-20 TPI x 1/2".

