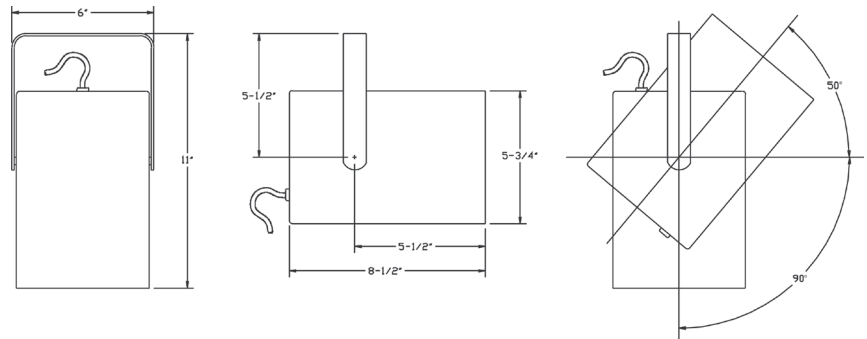




The CY38 is ideal for short to medium throw lighting in galleries, museums and retail applications. Equipped with a self-locking yoke and open front for easy re-lamping. Its accessory holder accepts louvers, diffusers and color filters. Available in standard black, white and silver finishes. Custom colors are available by request and at an additional charge.

FEATURES

- Accepts PAR38 lamps and LED's
- Internal self-locking yoke
- Accessory holder
- Numerous mounting options and accessories
- Weight: 2.8 lbs



MODEL NUMBER	FINISH	MOUNTING	ACCESSORIES
CY38	B Black W White S Silver CC Custom Color	T1 Track Adapter. 1 or 2 Circuit. 120V. TA1 Track Adapter. E-Series. 1 Circuit. 120V. TA2 Track Adapter. G-Series. 2 Circuit. 120V. TA3 Track Adapter. G-Series. 3 Circuit. 120V. CM4 Canopy Mount. US1 6 5/8" x 1 1/2" Unistrut Adapter. TB8 8" x 8" Portable Wall Mount/Table Base Floor. MC Light Duty Pipe Clamp. For pipes up to 15/16" O.D. MN Medium Duty Pipe Clamp. For pipes up to 2" O.D.	LV7 Louver XL7 Cross Baffle Louver BD7 Barndoor HD7 Hood XH7 Cross Baffle Hood CF7 Color Frame GF7 Glass Color Filter GF7-600 5°x50° Linear Lens GF7-601 Beam Softener GF7-673 50°x50° Spread Lens CC18 Coiled Cord SC-24 Safety Cable

EXAMPLE: CY38 - B - TA2 - LV7

MODEL NUMBER	FINISH	MOUNTING	ACCESSORIES
CY38			