

Job Name:  Fixture Type:  Qty:

**Energy Efficient MR16 by Times Square Lighting**



**2016V 20-75W MR16**

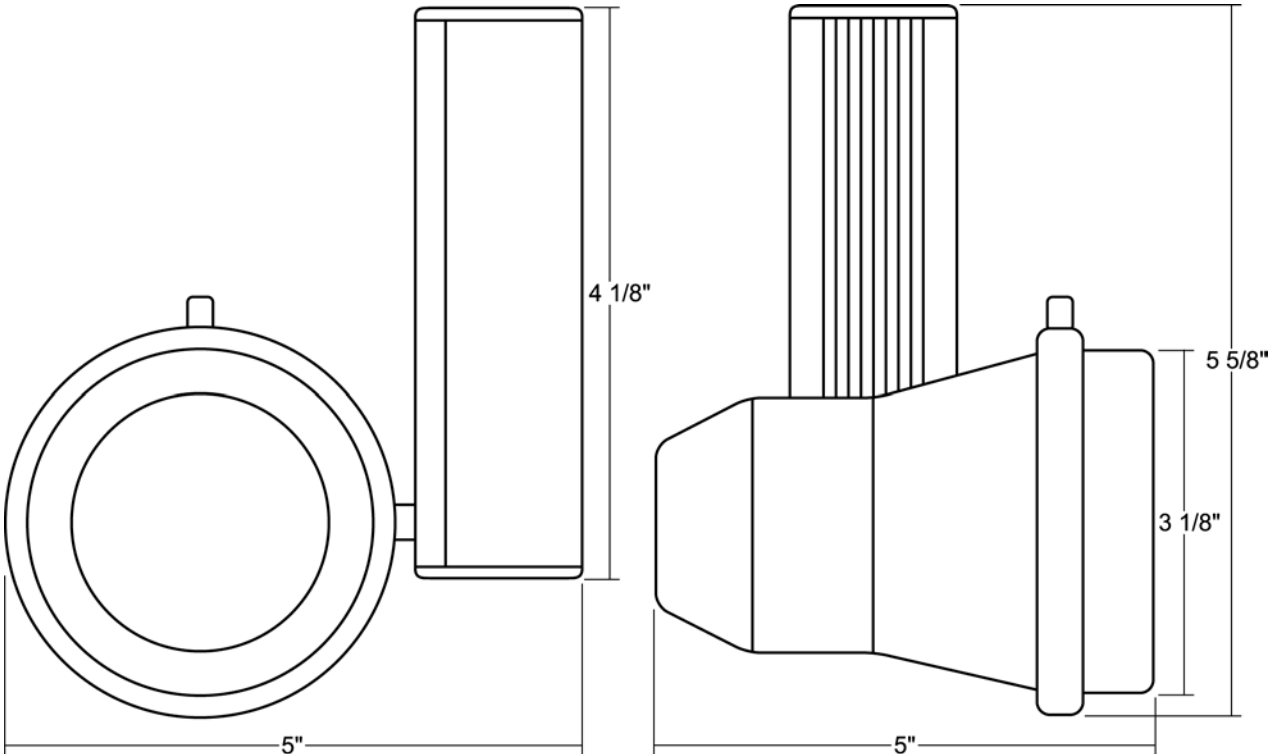
The 2016V is a low voltage fixture ideal for highlighting artwork, exhibits, and retail displays. The unit accepts energy efficient MR16 lamps from 20 to 75-watts. These lamps come in a variety of beam spreads, which are interchangeable as needed. They offer excellent color rendering and produce a whiter, brighter light than standard incandescent lamps with longer lamp life and less heat output.

The 2016V features an adjustable self-locking head and an electronic transformer. It has a hinged front that is easily opened for re-lamping and an internal accessory holder that can accommodate louvers, barndoors, hoods and a variety of filters. Comes in standard black, white and silver finishes. Custom colors are available by request and at an additional charge.

**Features:**

- 120, 220 and 277-volt available
- Integral 12-volt dimmable transformer
- Accepts energy efficient MR16 lamps from 20 to 75-watts
- Numerous mounting options and accessories

Manufactured in the USA - IBEW

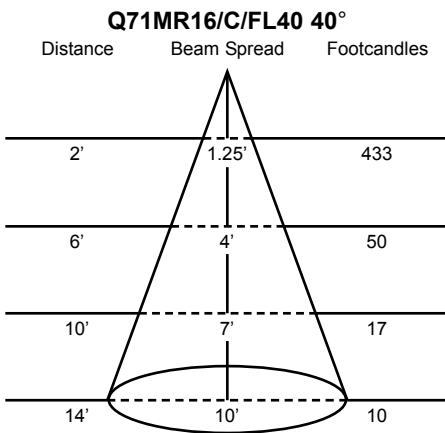
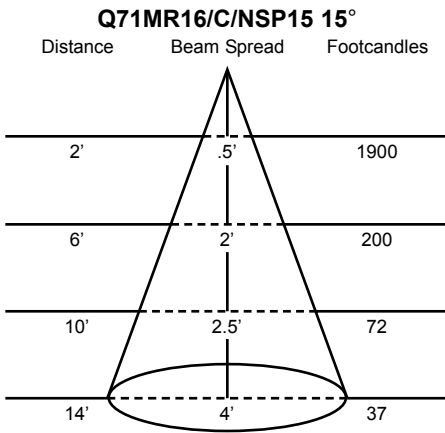


Last updated 03/10/2008.

Specify: 2016V - - -

	MODEL NUMBER	FINISH	MOUNTING (optional)	ACCESSORIES (optional)
Example:	2016V	-B	-T1	-LV3

**Photometric Data**



**10,000Hr Lamp Types**

**BBF/FG/ULTRA** 20W; 10,000Hrs; 24° Beam; 3100°K Color Temp

**BAB/FG/ULTRA** 20W; 10,000Hrs; 36° Beam; 3100°K Color Temp

**FMV/FG/ULTRA** 35W; 10,000Hrs; 24° Beam; 3100°K Color Temp

**FMW/FG/ULTRA** 35W; 10,000Hrs; 36° Beam; 3100°K Color Temp

**FMW/60/FG/ULTRA** 35W; 10,000Hrs; 60° Beam; 3100°K Color Temp

**EXT/FG/ULTRA** 50W; 10,000Hrs; 12° Beam; 3100°K Color Temp

**EXZ/FG/ULTRA** 50W; 10,000Hrs; 24° Beam; 3100°K Color Temp

**EXN/FG/ULTRA** 50W; 10,000Hrs; 36° Beam; 3100°K Color Temp

**FNV/60/FG/ULTRA** 50W; 10,000Hrs; 60° Beam; 3100°K Color Temp

**Lamp Types**

**Q20MR16/C/VNSP7** 20W/12V; EZX; 3000Hrs; 7° Beam; 7400 CBCP; 2900°K Color Temp

**Q20MR16/C/NSP15** 20W/12V; ESX; 5000Hrs; 15° Beam; 3750 CBCP; 2900°K Color Temp

**Q20MR16C/FL40 10** 20W/12V; BAB; 5000Hrs; 40° Beam; 525 CBCP; 2900°K Color Temp

**Q42MR16/C/VNSP9** 42W/12V; EZY; 3500Hrs; 9° Beam; 12300 CBCP; 3000°K Color Temp

**Q50MR16/C/NSP15** 50W/12V; EXT; 6000Hrs; 15° Beam; 9100 CBCP; 3050°K Color Temp

**Q50MR16/C/NFL25** 50W/12V; EXZ; 6000Hrs; 25° Beam; 3200 CBCP; 3050°K Color Temp

**Q50MR16C/NFL30** 50W/12V; EXZ; 6000Hrs; 30° Beam; 2500 CBCP; 3050°K Color Temp

**Q50MR16/C/FL40** 50W/12V; EXN; 6000Hrs; 25° Beam; 1700 CBCP; 3050°K Color Temp

**Q50MR16/C/WFL55** 50W/12V; FNV; 6000Hrs; 25° Beam; 900 CBCP; 3050°K Color Temp

**Q71MR16/C/NSP15** 71W/12V; EYF; 4000Hrs; 15° Beam; 11500 CBCP; 3050°K Color Temp

**Q71MR16/C/NFL25** 71W/12V; EYJ; 4000Hrs; 25° Beam; 5500 CBCP; 3050°K Color Temp

**Q71MR16/C/FL40** 71W/12V; EYC; 4000Hrs; 40° Beam; 2200 CBCP; 3050°K Color Temp

**Mounting Options**

**T1**  
Track adapter for commercial grade 1 and 2-circuit track.

**TA2S**  
Track adapter for specification grade 2-circuit track.

**HTA2**  
Track adapter for specification grade 2-circuit 277-volt track.

**TA3**  
Track adapter for specification grade 3-circuit track.

**US1**  
Unistrut adapter.

**MC**  
Medium duty pipe clamp for pipes up to 1 1/2" O.D.

**MN**  
Medium duty pipe clamp for pipes up to 2" O.D.

**XTSA70**  
Monopoint canopy for specification grade 2 and 3-circuit track.

**CM4**  
6" Canopy for permanent mounting on standard 4" octagonal outlet boxes.

**TB4**  
6" Portable wall mount/table base for floor, wall or table use.

**Accessories**

LV3	Louver
XL3	Cross Baffle Louver
BD3	Barndoor
HD3	Hood
GF3	Glass Color Filter
DF3	Dichroic Color Filter
GF3-600	5°x50° Linear Lens
GF3-601	Beam Softener
GF3-673	50°x50° Spread Lens
GF3-702	UV Blocking Filter
CC18	Coiled Cord
SC-24	Safety Cable
DM	Integral Dimmer

**Finish**

B	Black
W	White
S	Silver
CC	Custom Color