

Job Name:  Fixture Type:  Qty:

**Wall Wash by Times Square Lighting**



**A300 100-300W T3**

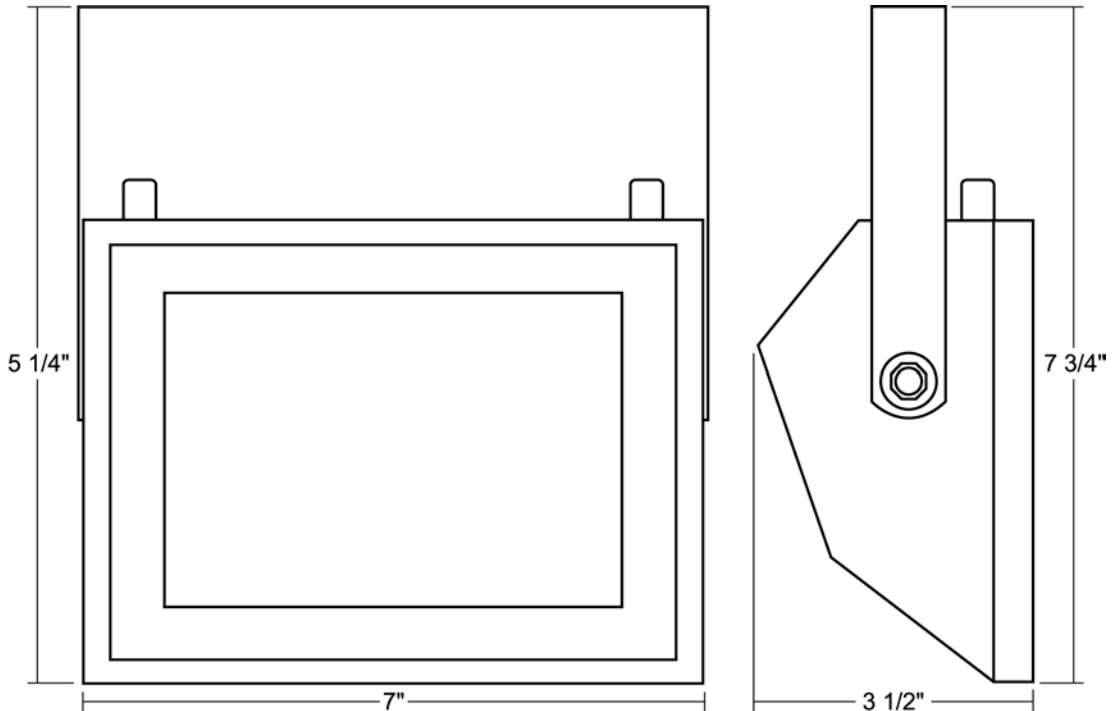
The A300 is an asymmetrical wall wash unit ideal for applications that require lighting to be located only a few feet from its display. Made of durable, lightweight construction this compact unit utilizes double-ended tungsten halogen lamps from 100 to 300-watts.

The A300 features an asymmetrical reflector that has the ability to actually chase the flood of light parallel to the fixture, and then aim it downward towards the floor. Its accessory holder accepts barndoors and filters and a piece of tempered safety glass is included. Available in black, white and silver finishes. Custom colors are available by request and at an additional charge.

**Features:**

- 120-volt
- Accepts double-ended lamps from 100 to 300-watts
- Asymmetrical reflector
- Numerous mounting options and accessories

Manufactured in the USA - IBEW

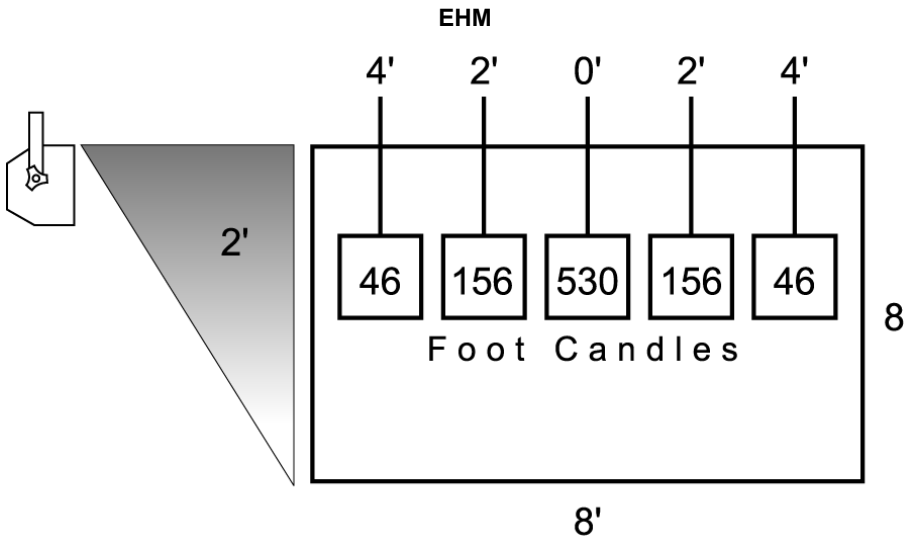


Last updated 03/10/2008.

Specify: A300 - - -

	MODEL NUMBER	FINISH	MOUNTING (optional)	ACCESSORIES (optional)
Example:	A300	-B	-T1	-BD19

**Photometric Data**



**Accessories**

BD19	Barndoor
GF19	Glass Color Filter
DF19	Dichroic Color Filter
GF19-600	5°x50° Linear Lens
GF19-601	Beam Softener
GF19-673	50°x50° Spread Lens
GF19-702	UV Blocking Filter
CC18	Coiled Cord
SC-24	Safety Cable
DM	Integral Dimmer

**Finish**

B	Black
W	White
S	Silver
CC	Custom Color

**Lamp Types**

**Q100T3/CL** 100W; 2000Hrs; 1600 Lumens; 16000 CBCP; 2850°K Color Temp

**Q150T3/CL** 150W; 1500Hrs; 2400 Lumens; 2250 CBCP; 2950°K Color Temp

**Q200T3/CL** 200W; 1500Hrs; 3460 Lumens; 3600 CBCP; 2925°K Color Temp

**EHM** 300W Clear; 2000Hrs; 6000 CBCP; 2950°K Color Temp

**EHZ** 300W Frosted; 2000Hrs; 5900 CBCP; 2950°K Color Temp

**Mounting Options**

**T1**  
Track adapter for commercial grade 1 and 2-circuit track.

**TA2S**  
Track adapter for specification grade 2-circuit track.

**HTA2**  
Track adapter for specification grade 2-circuit 277-volt track.

**TA3**  
Track adapter for specification grade 3-circuit track.

**US1**  
Unistrut adapter.

**MC**  
Medium duty pipe clamp for pipes up to 1 1/2" O.D.

**MN**  
Medium duty pipe clamp for pipes up to 2" O.D.

**PC9M**  
Heavy duty pipe clamp for pipes up to 2" O.D.

**XTSA70**  
Monopoint canopy for specification grade 2 and 3-circuit track.

**CM4**  
6" Canopy for permanent mounting on standard 4" octagonal outlet boxes.

**TB4**  
6" Portable wall mount/table base for floor, wall or table use.