

Job Name: Fixture Type: Qty:

Energy Efficient MR16 by Times Square Lighting



C16V 20-50W MR16

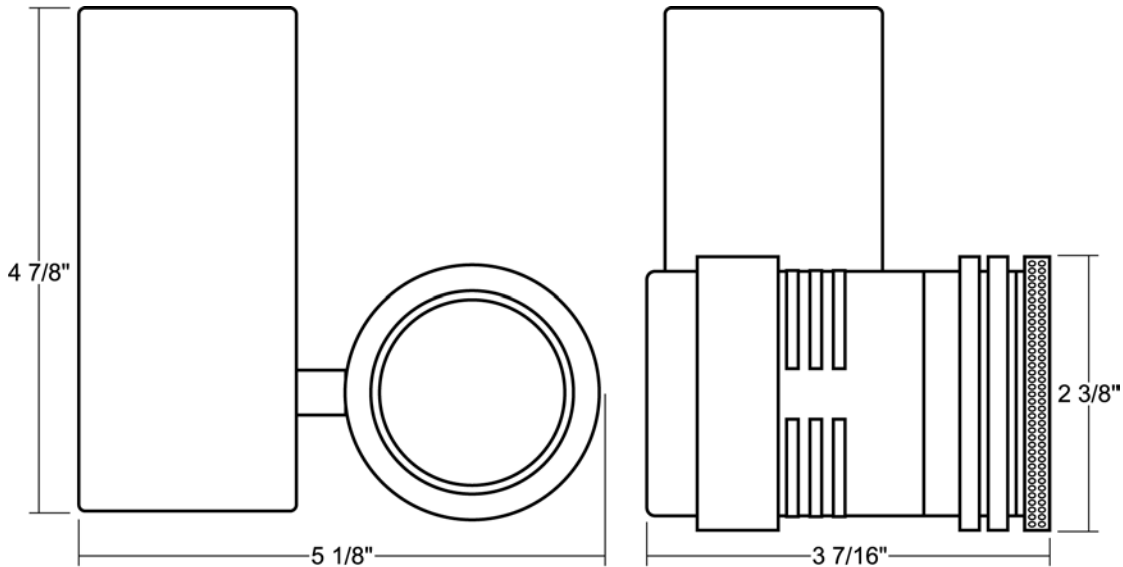
The clean and sleek style of the C16V makes this fixture ideal for any interior space such as a museum, gallery, or anywhere a visually interesting fixture is needed. This compact unit accepts energy efficient MR16 lamps from 20 to 50-watts featuring a wide variety of beam spreads, longer lamp life and minimal heat output.

The C16V is constructed of lightweight aluminum and has an adjustable self-locking head. Comes in standard black, white and silver finishes. Custom colors are available by request and at an additional charge.

Features:

- 120, 220 and 277-volt available
- Integral 12-volt dimmable transformer
- Accepts energy efficient MR16 lamps from 20 to 50-watts
- Numerous mounting options and accessories

Manufactured in the USA - IBEW

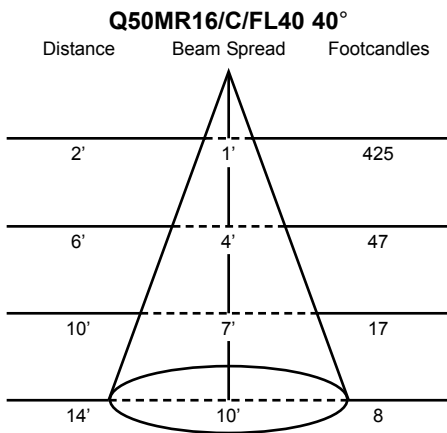
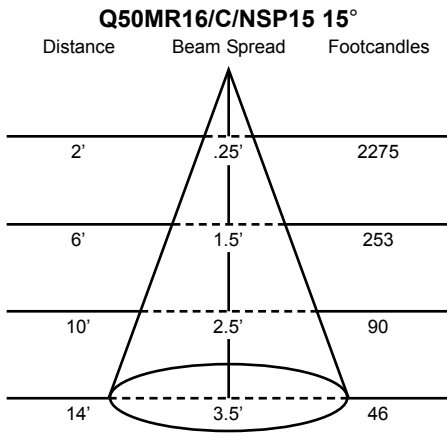


Last updated 03/10/2008.

Specify: C16V - - -

	MODEL NUMBER	FINISH	MOUNTING (optional)	ACCESSORIES (optional)
Example:	C16V	-B	-T1	-GF2

Photometric Data



10,000Hr Lamp Types

BBF/FG/ULTRA 20W; 10,000Hrs; 24° Beam; 3100°K Color Temp

BAB/FG/ULTRA 20W; 10,000Hrs; 36° Beam; 3100°K Color Temp

FMV/FG/ULTRA 35W; 10,000Hrs; 24° Beam; 3100°K Color Temp

FMW/FG/ULTRA 35W; 10,000Hrs; 36° Beam; 3100°K Color Temp

FMW/60/FG/ULTRA 35W; 10,000Hrs; 60° Beam; 3100°K Color Temp

EXT/FG/ULTRA 50W; 10,000Hrs; 12° Beam; 3100°K Color Temp

EXZ/FG/ULTRA 50W; 10,000Hrs; 24° Beam; 3100°K Color Temp

EXN/FG/ULTRA 50W; 10,000Hrs; 36° Beam; 3100°K Color Temp

FNV/60/FG/ULTRA 50W; 10,000Hrs; 60° Beam; 3100°K Color Temp

Lamp Types

Q20MR16/C/VNSP7 20W/12V; EZX; 3000Hrs; 7° Beam; 7400 CBCP; 2900°K Color Temp

Q20MR16/C/NSP15 20W/12V; ESX; 5000Hrs; 15° Beam; 3750 CBCP; 2900°K Color Temp

Q20MR16C/FL40 10 20W/12V; BAB; 5000Hrs; 40° Beam; 525 CBCP; 2900°K Color Temp

Q42MR16/C/VNSP9 42W/12V; EZY; 3500Hrs; 9° Beam; 12300 CBCP; 3000°K Color Temp

Q50MR16/C/NSP15 50W/12V; EXT; 6000Hrs; 15° Beam; 9100 CBCP; 3050°K Color Temp

Q50MR16/C/NFL25 50W/12V; EXZ; 6000Hrs; 25° Beam; 3200 CBCP; 3050°K Color Temp

Q50MR16C/NFL30 50W/12V; EXZ; 6000Hrs; 30° Beam; 2500 CBCP; 3050°K Color Temp

Q50MR16/C/FL40 50W/12V; EXN; 6000Hrs; 25° Beam; 1700 CBCP; 3050°K Color Temp

Q50MR16/C/WFL55 50W/12V; FNV; 6000Hrs; 25° Beam; 900 CBCP; 3050°K Color Temp

Mounting Options

T1
Track adapter for commercial grade 1 and 2-circuit track.

TA2S
Track adapter for specification grade 2-circuit track.

HTA2
Track adapter for specification grade 2-circuit 277-volt track.

TA3
Track adapter for specification grade 3-circuit track.

US1
Unistrut adapter.

MC
Medium duty pipe clamp for pipes up to 1 1/2" O.D.

MN
Medium duty pipe clamp for pipes up to 2" O.D.

XTSA70
Monopoint canopy for specification grade 2 and 3-circuit track.

CM4
6" Canopy for permanent mounting on standard 4" octagonal outlet boxes.

TB3
4" Portable wall mount/table base for smaller fixtures.

TB4
6" Portable wall mount/table base for floor, wall or table use.

Accessories

LV2	Louwer
GF2	Glass Color Filter
DF2	Dichroic Color Filter
GF2-600	5°x50° Linear Lens
GF2-601	Beam Softener
GF2-673	50°x50° Spread Lens
GF2-702	UV Blocking Filter
CC18	Coiled Cord
DM	Integral Dimmer

Finish

B	Black
W	White
S	Silver
CC	Custom Color