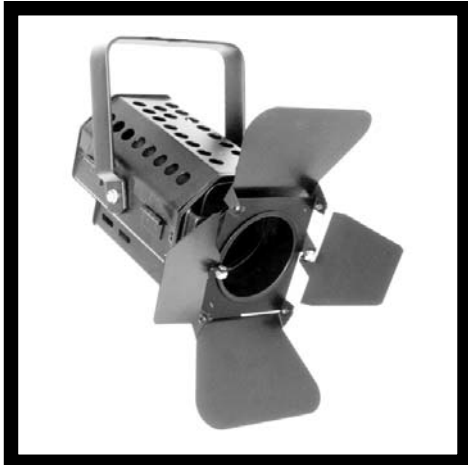


Job Name: Fixture Type: Qty:

Energy Efficient MR16 by Times Square Lighting

C3MR16L 20-75W MR16



The C3MR16L combines theatrical style with architectural function. The unit accepts energy efficient MR16 lamps from 20 to 75-watts in a variety of beam spreads. These lamps offer excellent color rendering, extended lamp life and generate less heat than standard incandescent lamps.

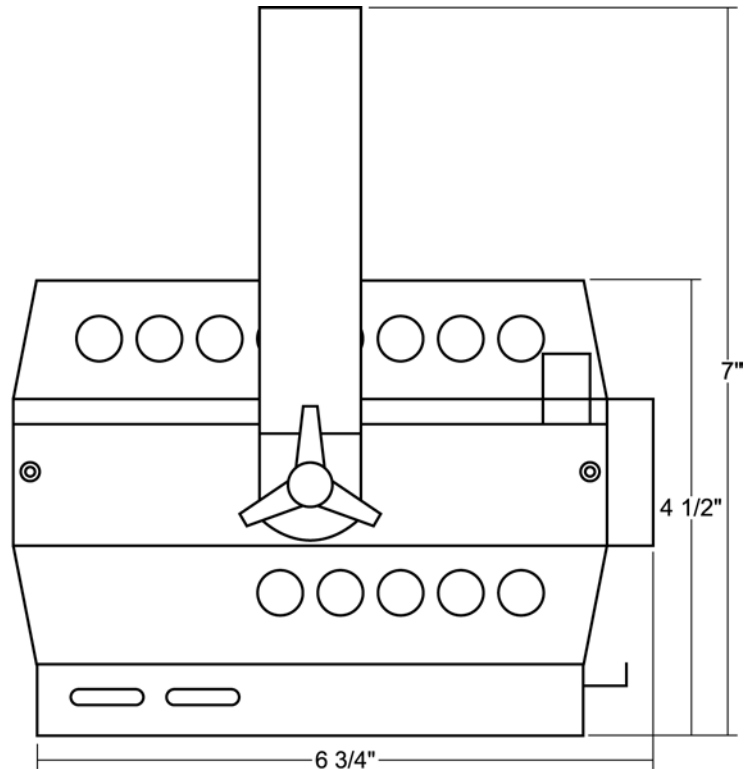
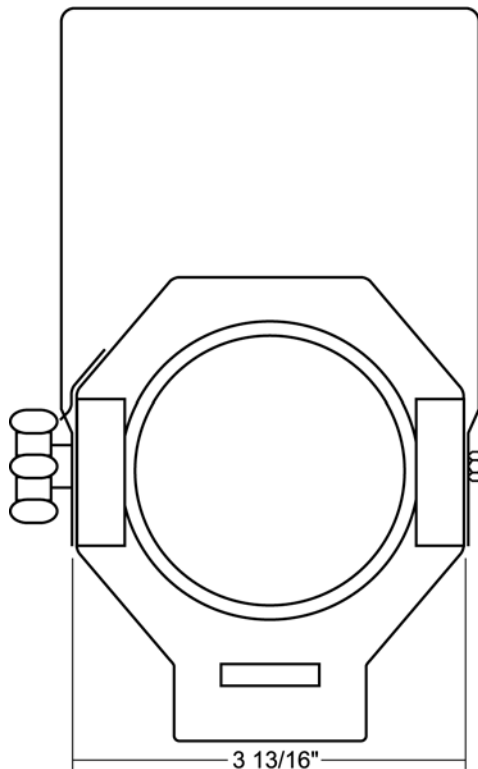
The C3MR16L features a solid-state transformer with built-in electronic overload and short-circuit protection with auto reset. Heat ventilation holes are used to prevent overheating and add to the theatrical design of this fixture. External accessory holder accepts louvers, barndoors, hoods and filters. Hinged top for easy re-lamping. Comes in standard black, white and silver finishes. Custom colors are available by request and at an additional charge.

Features:

- 120, 220 and 277-volt available
- Integral 12-volt dimmable transformer
- Theatrical design
- Accepts energy efficient MR16 lamps from 20 to 75-watts
- Numerous mounting options and accessories

**Shown with BD5 Barndoor option.*

Manufactured in the USA - IBEW

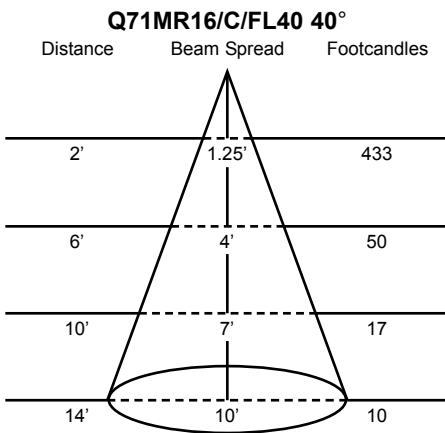
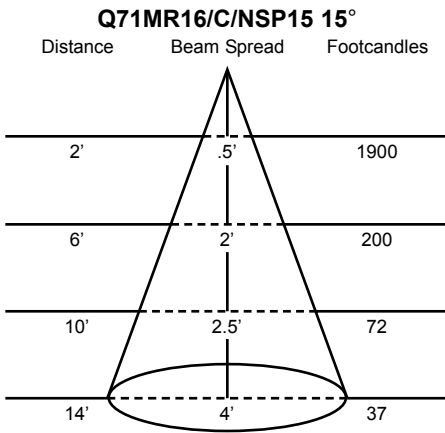


Last updated 06/14/2007.

Specify: C3MR16L - - -

	MODEL NUMBER	FINISH	MOUNTING (optional)	ACCESSORIES (optional)
Example:	C3MR16L	-B	-T1	-LV5

Photometric Data



10,000Hr Lamp Types

BBF/FG/ULTRA 20W; 10,000Hrs; 24° Beam; 3100°K Color Temp

BAB/FG/ULTRA 20W; 10,000Hrs; 36° Beam; 3100°K Color Temp

FMV/FG/ULTRA 35W; 10,000Hrs; 24° Beam; 3100°K Color Temp

FMW/FG/ULTRA 35W; 10,000Hrs; 36° Beam; 3100°K Color Temp

FMW/60/FG/ULTRA 35W; 10,000Hrs; 60° Beam; 3100°K Color Temp

EXT/FG/ULTRA 50W; 10,000Hrs; 12° Beam; 3100°K Color Temp

EXZ/FG/ULTRA 50W; 10,000Hrs; 24° Beam; 3100°K Color Temp

EXN/FG/ULTRA 50W; 10,000Hrs; 36° Beam; 3100°K Color Temp

FNV/60/FG/ULTRA 50W; 10,000Hrs; 60° Beam; 3100°K Color Temp

Lamp Types

Q20MR16/C/VNSP7 20W/12V; EZX; 3000Hrs; 7° Beam; 7400 CBCP; 2900°K Color Temp

Q20MR16/C/NSP15 20W/12V; ESX; 5000Hrs; 15° Beam; 3750 CBCP; 2900°K Color Temp

Q20MR16C/FL40 10 20W/12V; BAB; 5000Hrs; 40° Beam; 525 CBCP; 2900°K Color Temp

Q42MR16/C/VNSP9 42W/12V; EYZ; 3500Hrs; 9° Beam; 12300 CBCP; 3000°K Color Temp

Q50MR16/C/NSP15 50W/12V; EXT; 6000Hrs; 15° Beam; 9100 CBCP; 3050°K Color Temp

Q50MR16/C/NFL25 50W/12V; EXZ; 6000Hrs; 25° Beam; 3200 CBCP; 3050°K Color Temp

Q50MR16C/NFL30 50W/12V; EXZ; 6000Hrs; 30° Beam; 2500 CBCP; 3050°K Color Temp

Q50MR16/C/FL40 50W/12V; EXN; 6000Hrs; 40° Beam; 1700 CBCP; 3050°K Color Temp

Q50MR16/C/WFL55 50W/12V; FNV; 6000Hrs; 55° Beam; 900 CBCP; 3050°K Color Temp

Q71MR16/C/NSP15 71W/12V; EYF; 4000Hrs; 15° Beam; 11500 CBCP; 3050°K Color Temp

Q71MR16/C/NFL25 71W/12V; EYJ; 4000Hrs; 25° Beam; 5500 CBCP; 3050°K Color Temp

Q71MR16/C/FL40 71W/12V; EYC; 4000Hrs; 40° Beam; 2200 CBCP; 3050°K Color Temp

Mounting Options

T1
Track adapter for commercial grade 1 and 2-circuit track.

TA2S
Track adapter for specification grade 2-circuit track.

HTA2
Track adapter for specification grade 2-circuit 277-volt track.

TA3
Track adapter for specification grade 3-circuit track.

US1
Unistrut adapter.

MC
Medium duty pipe clamp for pipes up to 1 1/2" O.D.

MN
Medium duty pipe clamp for pipes up to 2" O.D.

PC9M
Heavy duty pipe clamp for pipes up to 2" O.D.

XTSA70
Monopoint canopy for specification grade 2 and 3-circuit track.

CM4
6" Canopy for permanent mounting on standard 4" octagonal outlet boxes.

TB4
6" Portable wall mount/table base for floor, wall or table use.

Accessories

LV5	Louver
BD5	Barndoor
HD5	Hood
CF5	Color Frame
GF5	Glass Color Filter
DF5	Dichroic Color Filter
GF5-600	5°x50° Linear Lens
GF5-601	Beam Softener
GF5-673	50°x50° Spread Lens
GF5-702	UV Blocking Filter
CC18	Coiled Cord
SC-24	Safety Cable
DM	Integral Dimmer

Finish

B	Black
W	White
S	Silver
CC	Custom Color