

Job Name:  Fixture Type:  Qty:

## Energy Efficient PAR by Times Square Lighting



### E36 35-75W PAR36/AR111

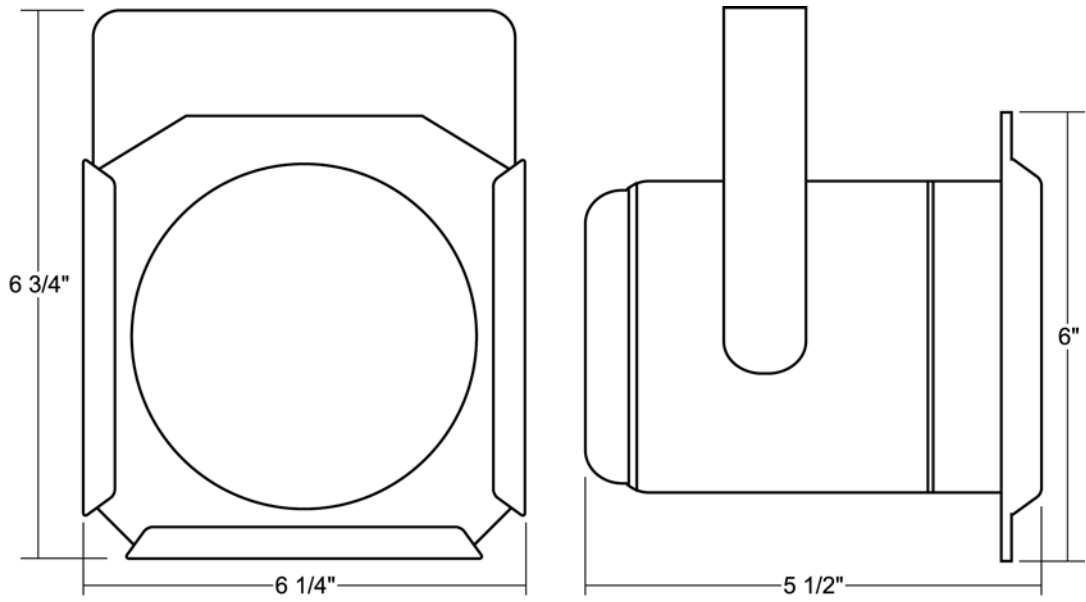
The E36 is a 12-volt PAR36 fixture ideal for rental companies, exhibit groups, clubs, theatrical venues or wherever a durable economical unit is required. This steel, single-spun unit can accept both PAR36 and AR111 low voltage lamps from 35 to 75-watts.

The E36 features an accessory holder that can accommodate dichoric, glass, UV blocking and color filters. Louvers and spread lenses are also available to alter the beam pattern. Comes in standard black, white and silver finishes. Custom colors are available by request and at an additional charge.

#### Features:

- 120, 220 and 277-volt available
- Integral 12-volt dimmable transformer
- Accepts PAR36 and AR111 lamps from 35 to 75-watts
- 6' cord and u-ground plug
- Numerous mounting options and accessories

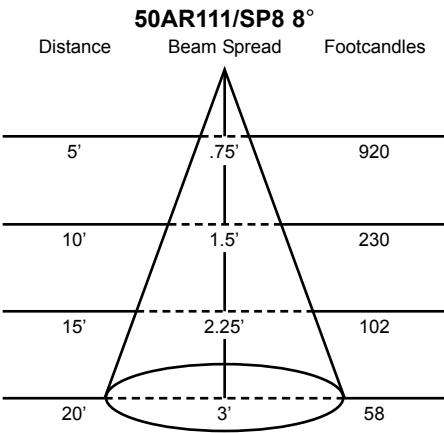
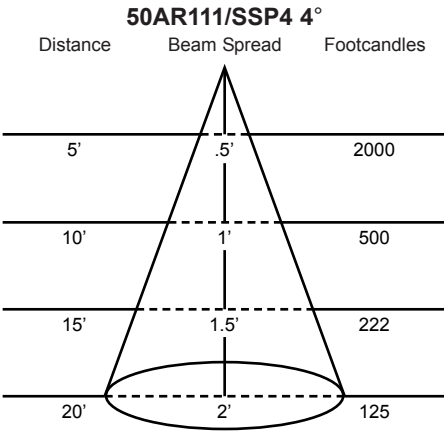
Manufactured in the USA - IBEW



Specify: E36 - - -

|          | MODEL NUMBER | FINISH | MOUNTING (optional) | ACCESSORIES (optional) |
|----------|--------------|--------|---------------------|------------------------|
| Example: | E36          | -B     | -T1                 | -LV17                  |

**Photometric Data**



**Lamp Types**

**35PAR36/H/SP5** 35W/12V; 4000Hrs; 5° Beam; 25000 CBCP; 3050°K Color Temp

**35PAR36/H/SP8** 35W/12V; 4000Hrs; 8° Beam; 8000 CBCP; 3050°K Color Temp

**35PAR36/H/FL30** 35W/12V; 4000Hrs; 30° Beam; 900 CBCP; 3050°K Color Temp

**35PAR36/H/VWFL** 35W/12V; 4000Hrs; 3050°K Color Temp

**50PAR36/H/SP5** 50W/12V; 4000Hrs; 5° Beam; 39000 CBCP; 3050°K Color Temp

**50PAR36/H/SP8** 50W/12V; 4000Hrs; 8° Beam; 10000 CBCP; 3050°K Color Temp

**50PAR36/H/FL30** 50W/12V; 4000Hrs; 30° Beam; 1300 CBCP; 3050°K Color Temp

**\*35AR111/SSP4** 35W/12V; 3000Hrs; 4° Beam; 40000 CBCP

**\*35AR111/SP8** 35W/12V; 3000Hrs; 8° Beam; 14000 CBCP

**\*35AR111/FL25** 35W/12V; 3000Hrs; 25° Beam; 2500 CBCP

**\*50AR111/SSP4** 50W/12V; 3000Hrs; 4° Beam; 45000 CBCP

**\*50AR111/SP8** 50W/12V; 3000Hrs; 8° Beam; 20000 CBCP

**\*50AR111/FL25** 50W/12V; 3000Hrs; 25° Beam; 4000 CBCP

**\*75AR111/SP8** 75W/12V; 3000Hrs; 8° Beam; 30000 CBCP

**\*75AR111/FL25** 75W/12V; 3000Hrs; 25° Beam; 5300 CBCP

**\*75AR111/WFL45** 75W/12V; 3000Hrs; 45° Beam; 2000 CBCP

\*Requires glass safety shield GF17-C.

**Mounting Options**

**T1**  
Track adapter for commercial grade 1 and 2-circuit track.

**TA2S**  
Track adapter for specification grade 2-circuit track.

**HTA2**  
Track adapter for specification grade 2-circuit 277-volt track.

**TA3**  
Track adapter for specification grade 3-circuit track.

**US1**  
Unistrut adapter.

**MC**  
Medium duty pipe clamp for pipes up to 1 1/2" O.D.

**MN**  
Medium duty pipe clamp for pipes up to 2" O.D.

**PC9M**  
Heavy duty pipe clamp for pipes up to 2" O.D.

**XTSA70**  
Monopoint canopy for specification grade 2 and 3-circuit track.

**CM4**  
6" Canopy for permanent mounting on standard 4" octagonal outlet boxes.

**TB4**  
6" Portable wall mount/table base for floor, wall or table use.

**Accessories**

|          |                       |
|----------|-----------------------|
| LV17     | Louver                |
| CF17     | Color Frame           |
| GF17     | Glass Color Filter    |
| GF17-C   | AR111 Glass Shield    |
| DF17     | Dichroic Color Filter |
| GF17-600 | 5°x50° Linear Lens    |
| GF17-601 | Beam Softener         |
| GF17-673 | 50°x50° Spread Lens   |
| GF17-703 | UV Blocking Filter    |
| CC18     | Coiled Cord           |
| SC-24    | Safety Cable          |
| DM       | Integral Dimmer       |

**Finish**

|    |              |
|----|--------------|
| B  | Black        |
| W  | White        |
| S  | Silver       |
| CC | Custom Color |