

Job Name:  Fixture Type:  Qty:

## Pattern/Framing Projectors by Times Square Lighting



### Goboclip 150W CDM

Goboclip expands gobo projection with indoor/outdoor use. Its fully weather-proofed, IP55 rated, ultra compact body can withstand high and very low temperatures, as well as water.

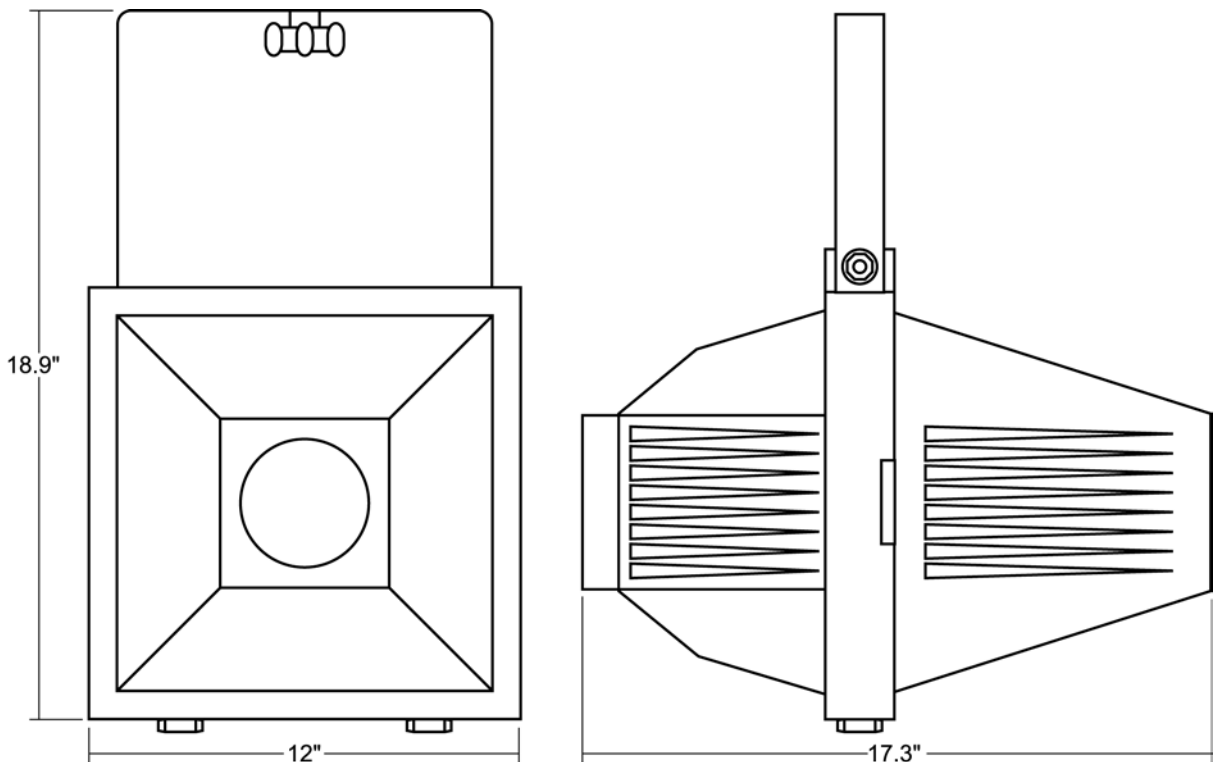
Utilizing a 150-watt metal halide lamp, Goboclip projects a bright and accurate rendition of any graphic design or logo. A zoom facility combined with two in-built projection angles provide maximum flexibility with projection distance and image size. Quick and easy gobo or filter change, rotating image speed settings, focus and zoom selection.

The projection possibilities are endless. With indoor/outdoor use your advertising message can reach your target audience almost anywhere you choose.

#### Features:

- 120, 220 and 277-volt available
- Indoor/outdoor use, IP55 rated
- Accepts 150-watt metal halide T6 lamps
- 19°-30° beam spreads
- Energy efficient
- Long lamp life (12,000Hrs)
- Stock or custom, steel or glass patterns
- Variable pattern rotation

Manufactured in the USA - IBEW



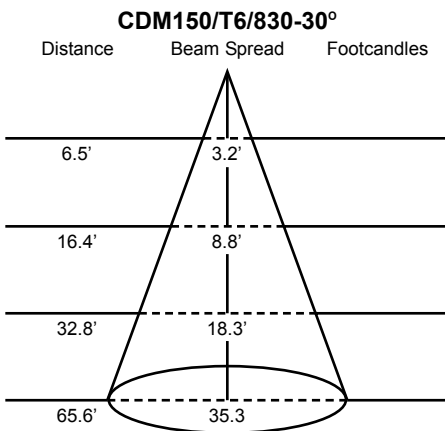
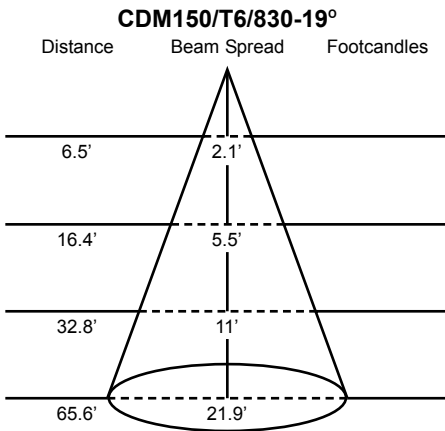
Last updated 03/10/2008.

Specify: Goboclip - - -

	MODEL NUMBER	FINISH	MOUNTING (optional)	ACCESSORIES (optional)
--	--------------	--------	---------------------	------------------------

Example: Goboclip -S -US1 -SPD

## Photometric Data



## Accessories

SPD	Stock Pattern Steel
CPD	Custom Pattern Steel
GPD	Custom Pattern Glass
DF28	Dichroic Color Filter
SC	Safety Cable

## Finish

S	Silver
---	--------

## Lamp Types

**CDM150/T6/830** 150W; 12000Hrs;  
3000°K Color Temp

**CDM150/SA** 150W; 5000Hrs; 4200°K  
Color Temp

## Mounting Options

### US1

Unistrut adapter.

### PC9M

Heavy duty pipe clamp for pipes up to  
2" O.D.

### CM4

6" Canopy for permanent mounting on  
standard 4" octagonal outlet boxes.