

Job Name: Fixture Type: Qty:

Energy Efficient MR16 by Times Square Lighting



LVP16 20-75W MR16

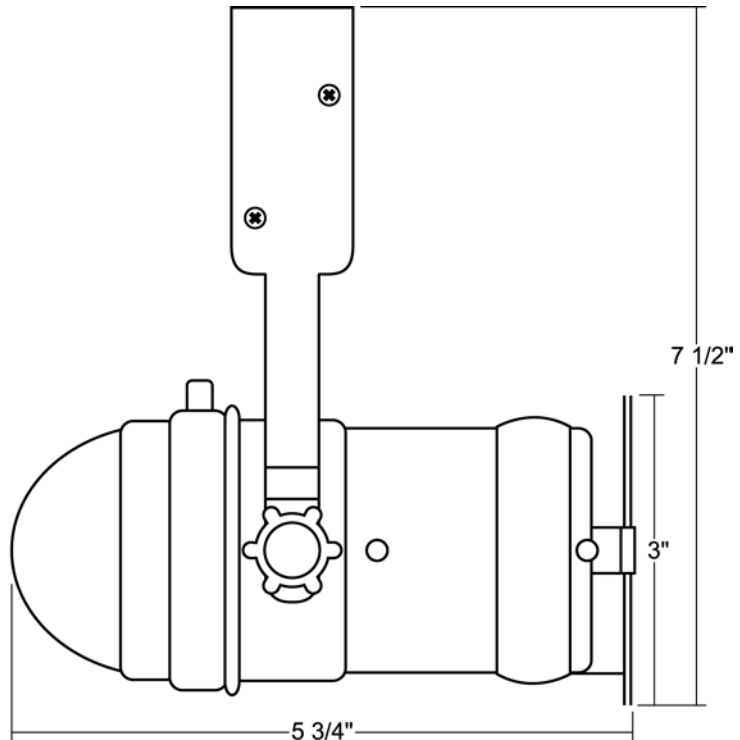
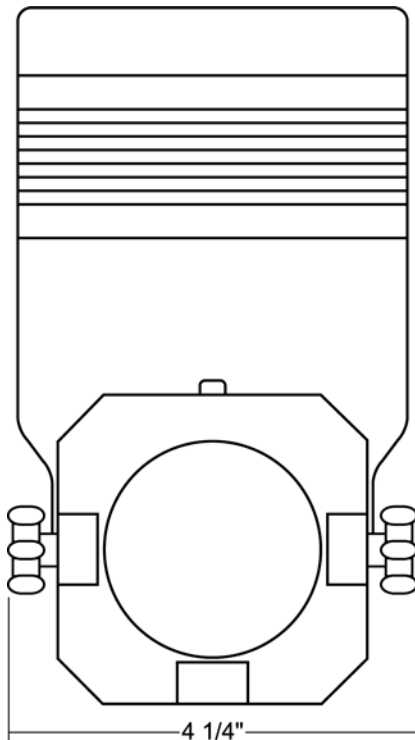
The LVP16 is a miniature par light ideal for highlighting artwork, exhibits, and retail displays. This unit accepts energy efficient MR16 lamps from 20 to 75-watts in a wide variety of beam spreads. These lamps emit a whiter, brighter light than standard incandescent lamps with longer lamp life and less heat output.

Designed with a user-friendly hinged back, this unit can be easily opened for quick re-lamping. It can be adjusted by using the attached side handles and its accessory holder can accommodate louvers, barndoors and filters. Electronic transformer. Comes in standard black, white and silver finishes. Custom colors are available by request and at an additional charge.

Features:

- 120, 220 and 277-volt available
- Integral 12-volt dimmable transformer
- Accepts energy efficient MR16 lamps from 20 to 75-watts
- Numerous mounting options and accessories

Manufactured in the USA - IBEW

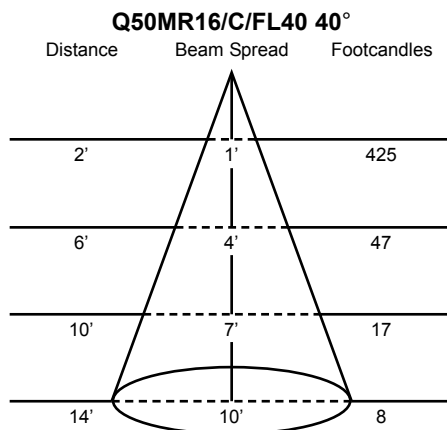
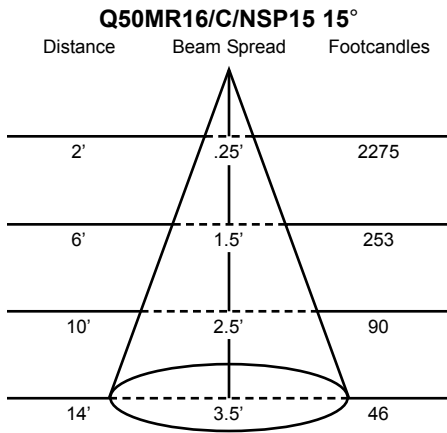


Last updated 03/10/2008.

Specify: LVP16 - - -

	MODEL NUMBER	FINISH	MOUNTING (optional)	ACCESSORIES (optional)
Example:	LVP16	-B	-T1	-LV1

Photometric Data



10,000Hr Lamp Types

- BBF/FG/ULTRA** 20W; 10,000Hrs; 24° Beam; 3100°K Color Temp
- BAB/FG/ULTRA** 20W; 10,000Hrs; 36° Beam; 3100°K Color Temp
- FMV/FG/ULTRA** 35W; 10,000Hrs; 24° Beam; 3100°K Color Temp
- FMW/FG/ULTRA** 35W; 10,000Hrs; 36° Beam; 3100°K Color Temp
- FMW/60/FG/ULTRA** 35W; 10,000Hrs; 60° Beam; 3100°K Color Temp
- EXT/FG/ULTRA** 50W; 10,000Hrs; 12° Beam; 3100°K Color Temp
- EXZ/FG/ULTRA** 50W; 10,000Hrs; 24° Beam; 3100°K Color Temp
- EXN/FG/ULTRA** 50W; 10,000Hrs; 36° Beam; 3100°K Color Temp

FNV/60/FG/ULTRA 50W; 10,000Hrs; 60° Beam; 3100°K Color Temp

Lamp Types

- Q20MR16/C/VNSP7** 20W/12V; EZX; 3000Hrs; 7° Beam; 7400 CBCP; 2900°K Color Temp
- Q20MR16/C/NSP15** 20W/12V; ESX; 5000Hrs; 15° Beam; 3750 CBCP; 2900°K Color Temp
- Q20MR16C/FL40 10** 20W/12V; BAB; 5000Hrs; 40° Beam; 525 CBCP; 2900°K Color Temp
- Q42MR16/C/VNSP9** 42W/12V; EYZ; 3500Hrs; 9° Beam; 12300 CBCP; 3000°K Color Temp
- Q50MR16/C/NSP15** 50W/12V; EXT; 6000Hrs; 15° Beam; 9100 CBCP; 3050°K Color Temp
- Q50MR16/C/NFL25** 50W/12V; EXZ; 6000Hrs; 25° Beam; 3200 CBCP; 3050°K Color Temp
- Q50MR16C/NFL30** 50W/12V; EXZ; 6000Hrs; 30° Beam; 2500 CBCP; 3050°K Color Temp
- Q50MR16/C/FL40** 50W/12V; EXN; 6000Hrs; 25° Beam; 1700 CBCP; 3050°K Color Temp
- Q50MR16/C/WFL55** 50W/12V; FNV; 6000Hrs; 25° Beam; 900 CBCP; 3050°K Color Temp
- Q71MR16/C/NSP15** 71W/12V; EYF; 4000Hrs; 15° Beam; 11500 CBCP; 3050°K Color Temp
- Q71MR16/C/NFL25** 71W/12V; EYJ; 4000Hrs; 25° Beam; 5500 CBCP; 3050°K Color Temp
- Q71MR16/C/FL40** 71W/12V; EYC; 4000Hrs; 40° Beam; 2200 CBCP; 3050°K Color Temp

Mounting Options

- T1**
Track adapter for commercial grade 1 and 2-circuit track.
- TA2S**
Track adapter for specification grade 2-circuit track.

HTA2

Track adapter for specification grade 2-circuit 277-volt track.

TA3

Track adapter for specification grade 3-circuit track.

US1

Unistrut adapter.

MC

Medium duty pipe clamp for pipes up to 1 1/2" O.D.

MN

Medium duty pipe clamp for pipes up to 2" O.D.

XTSA70

Monopoint canopy for specification grade 2 and 3-circuit track.

CM4

6" Canopy for permanent mounting on standard 4" octagonal outlet boxes.

TB3

4" Portable wall mount/table base for smaller fixtures.

TB4

6" Portable wall mount/table base for floor, wall or table use.

Accessories

LV1	Louver
BD1	Barndoor
CF1	Color Frame
GF1	Glass Color Filter
DF1	Dichroic Color Filter
GF1-600	5°x50° Linear Lens
GF1-601	Beam Softener
GF1-673	50°x50° Spread Lens
GF1-702	UV Blocking Filter
CC18	Coiled Cord
DM	Integral Dimmer

Finish

B	Black
W	White
S	Silver
CC	Custom Color