

Job Name:  Fixture Type:  Qty:

**Pattern/Framing Projectors by Times Square Lighting**



**MC150FP 150W CDM**

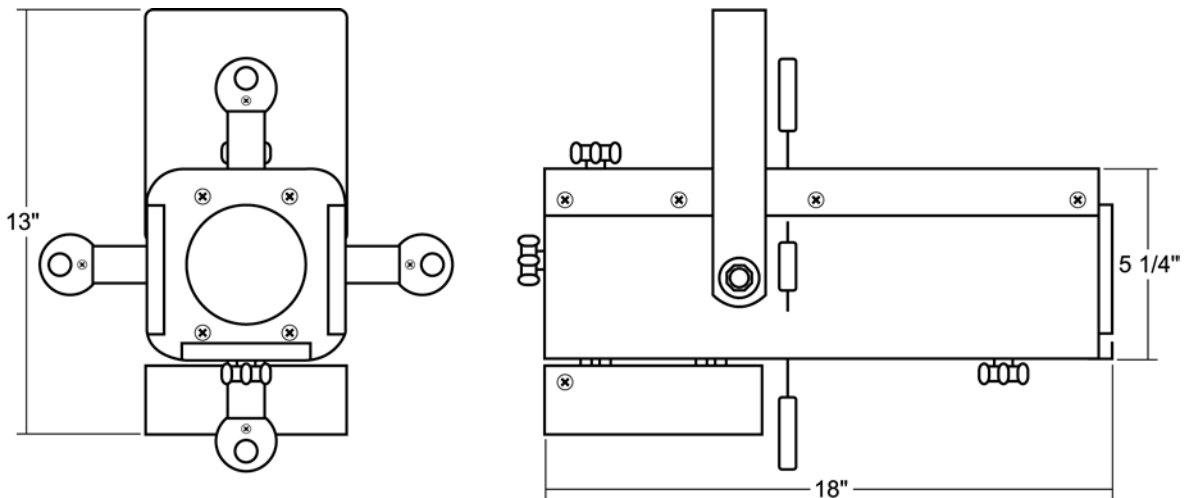
The MC150FP utilizes 150-watt metal halide CDM lamps. This energy efficient unit projects stock and custom, steel or glass patterns with beam spreads equal to a 750-watt quartz ellipsoidal.

The MC150FP features a lightweight electronic ballast, built-in accessory holder, stainless steel framing shutters and locking yoke. Available in standard black, white and silver finishes. Custom colors available by request and at an additional charge.

**Features:**

- 120 and 277-volt available
- MC150FP accepts 150-watt metal halide CDM lamps
- Energy efficient
- Long lamp life (12,000Hrs)
- Stock or custom, steel or glass patterns
- Numerous mounting options and accessories

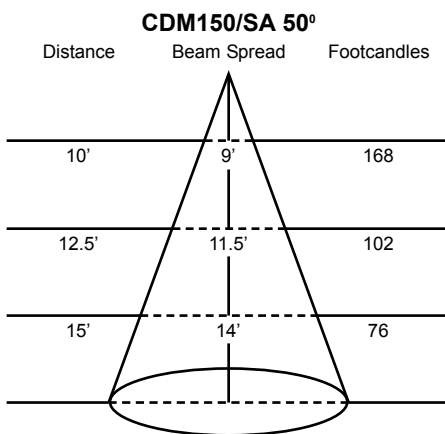
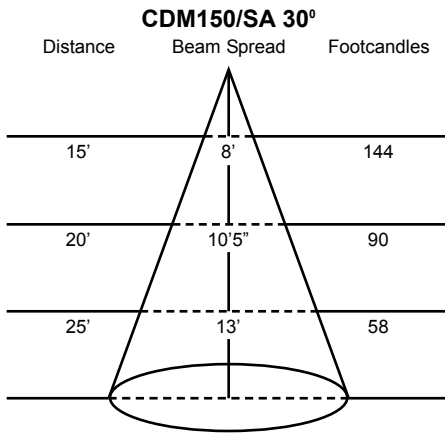
Manufactured in the USA - IBEW



Specify: MC150FP - - -

	MODEL NUMBER	FINISH	MOUNTING (optional)	ACCESSORIES (optional)
Example:	MC150FP	-B	-T1	-CF24

## Photometric Data



## Accessories

CF24	Color Frame
PHB	Pattern Holder
PDB	Pattern Donut
SPB	Stock Pattern Steel
CPB	Custom Pattern Steel
GPB	Custom Pattern Glass
GF24	Glass Color Filter
DF24	Dichroic Color Filter
GF24-702	UV Blocking Filter
CC18	Coiled Cord
SC	Safety Cable
400RS	Iris
I-CUE	Intelligent Scanner
SmartMove	Motorized Pattern Rotator



I-CUE:  
Moves Patterns



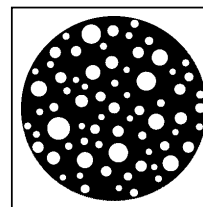
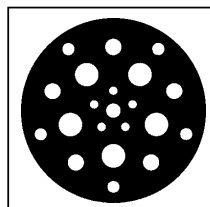
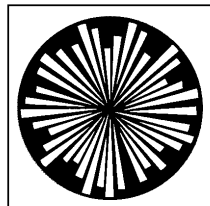
SmartMove:  
Rotates Patterns

## Finish

B	Black
W	White
S	Silver
CC	Custom Color

## Patterns

For standard and custom patterns please see index. For a complete list, please contact a Times Square Lighting representative.



## Lamp Types

**CDM150/T6/830** 150W; 12000Hrs;  
3000°K Color Temp

**CDM150/SA** 150W; 5000Hrs; 4200°K  
Color Temp

## Mounting Options

**US1**  
Unistrut adapter.

**PC9M**  
Heavy duty pipe clamp for pipes up to  
2" O.D.

**CM4**  
6" Canopy for permanent mounting on  
standard 4" octagonal outlet boxes.