

Job Name:  Fixture Type:  Qty:

## Energy Efficient MR16 by Times Square Lighting



### MR16 20-75W MR16

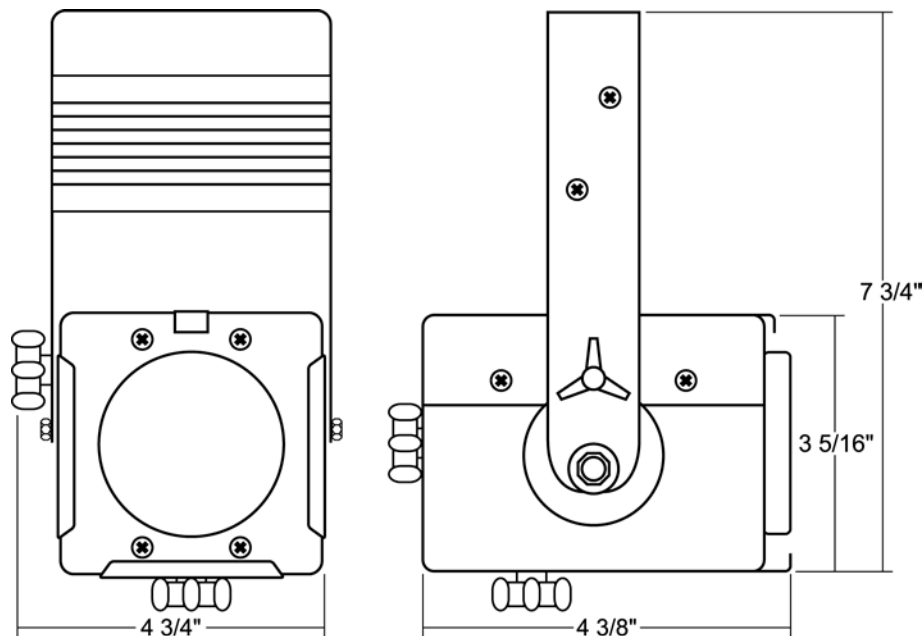
The MR16 cube light is a low voltage fixture ideal for highlighting artwork, exhibits, and retail displays. The unit accepts energy efficient MR16 lamps from 20 to 75-watts. These lamps come in a variety of beam spreads, which are interchangeable as needed. They offer excellent color rendering and produce a whiter, brighter light than standard incandescent lamps.

The MR16 cube light features an electronic transformer and locking yoke with brake. Its external accessory holder accepts louvers, barndoors, hoods and filters. Comes in standard black, white and silver finishes. Custom colors are available by request and at an additional charge.

#### Features:

- 120, 220 and 277-volt available
- Integral 12-volt dimmable transformer
- Accepts energy efficient MR16 lamps from 20 to 75-watts
- Numerous mounting options and accessories

Manufactured in the USA - IBEW

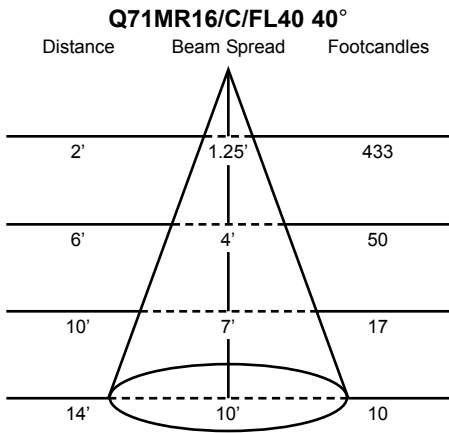
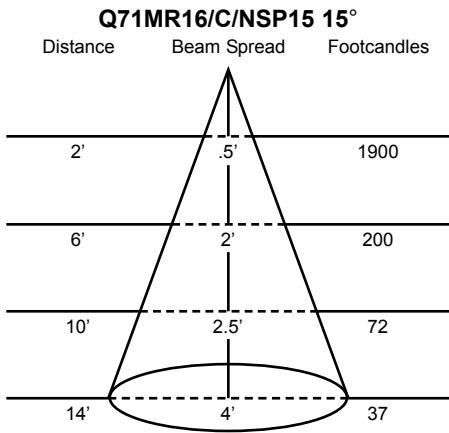


Last updated 03/10/2008.

Specify: MR16 - - -

	MODEL NUMBER	FINISH	MOUNTING (optional)	ACCESSORIES (optional)
Example:	MR16	-B	-T1	-LV4

**Photometric Data**



**10,000Hr Lamp Types**

- BBF/FG/ULTRA** 20W; 10,000Hrs; 24° Beam; 3100°K Color Temp
- BAB/FG/ULTRA** 20W; 10,000Hrs; 36° Beam; 3100°K Color Temp
- FMV/FG/ULTRA** 35W; 10,000Hrs; 24° Beam; 3100°K Color Temp
- FMW/FG/ULTRA** 35W; 10,000Hrs; 36° Beam; 3100°K Color Temp
- FMW/60/FG/ULTRA** 35W; 10,000Hrs; 60° Beam; 3100°K Color Temp
- EXT/FG/ULTRA** 50W; 10,000Hrs; 12° Beam; 3100°K Color Temp
- EXZ/FG/ULTRA** 50W; 10,000Hrs; 24° Beam; 3100°K Color Temp

**EXN/FG/ULTRA** 50W; 10,000Hrs; 36° Beam; 3100°K Color Temp

**FNV/60/FG/ULTRA** 50W; 10,000Hrs; 60° Beam; 3100°K Color Temp

**Lamp Types**

**Q20MR16/C/VNSP7** 20W/12V; EZX; 3000Hrs; 7° Beam; 7400 CBCP; 2900°K Color Temp

**Q20MR16/C/NSP15** 20W/12V; ESX; 5000Hrs; 15° Beam; 3750 CBCP; 2900°K Color Temp

**Q20MR16C/FL40** 10 20W/12V; BAB; 5000Hrs; 40° Beam; 525 CBCP; 2900°K Color Temp

**Q42MR16/C/VNSP9** 42W/12V; EZY; 3500Hrs; 9° Beam; 12300 CBCP; 3000°K Color Temp

**Q50MR16/C/NSP15** 50W/12V; EXT; 6000Hrs; 15° Beam; 9100 CBCP; 3050°K Color Temp

**Q50MR16/C/NFL25** 50W/12V; EXZ; 6000Hrs; 25° Beam; 3200 CBCP; 3050°K Color Temp

**Q50MR16C/NFL30** 50W/12V; EXZ; 6000Hrs; 30° Beam; 2500 CBCP; 3050°K Color Temp

**Q50MR16C/FL40** 50W/12V; EXN; 6000Hrs; 25° Beam; 1700 CBCP; 3050°K Color Temp

**Q50MR16C/WFL55** 50W/12V; FNV; 6000Hrs; 25° Beam; 900 CBCP; 3050°K Color Temp

**Q71MR16/C/NSP15** 71W/12V; EYF; 4000Hrs; 15° Beam; 11500 CBCP; 3050°K Color Temp

**Q71MR16/C/NFL25** 71W/12V; EYJ; 4000Hrs; 25° Beam; 5500 CBCP; 3050°K Color Temp

**Q71MR16C/FL40** 71W/12V; EYC; 4000Hrs; 40° Beam; 2200 CBCP; 3050°K Color Temp

**Mounting Options**

**T1**  
Track adapter for commercial grade 1 and 2-circuit track.

**TA2S**

Track adapter for specification grade 2-circuit track.

**HTA2**

Track adapter for specification grade 2-circuit 277-volt track.

**TA3**

Track adapter for specification grade 3-circuit track.

**US1**

Unistrut adapter.

**MC**

Medium duty pipe clamp for pipes up to 1 1/2" O.D.

**MN**

Medium duty pipe clamp for pipes up to 2" O.D.

**PC9M**

Heavy duty pipe clamp for pipes up to 2" O.D.

**XTSA70**

Monopoint canopy for specification grade 2 and 3-circuit track.

**CM4**

6" Canopy for permanent mounting on standard 4" octagonal outlet boxes.

**TB4**

6" Portable wall mount/table base for floor, wall or table use.

**Accessories**

LV4	Louwer
BD4	Barndoor
HD4	Hood
CF4	Color Frame
GF4	Glass Color Filter
DF4	Dichroic Color Filter
GF4-600	5°x50° Linear Lens
GF4-601	Beam Softener
GF4-673	50°x50° Spread Lens
GF4-702	UV Blocking Filter
CC18	Coiled Cord
SC-24	Safety Cable
DM	Integral Dimmer

**Finish**

B	Black
W	White
S	Silver
CC	Custom Color