

Job Name: Fixture Type: Qty:

Energy Efficient PAR by Times Square Lighting



PB56 120, 240W PAR56

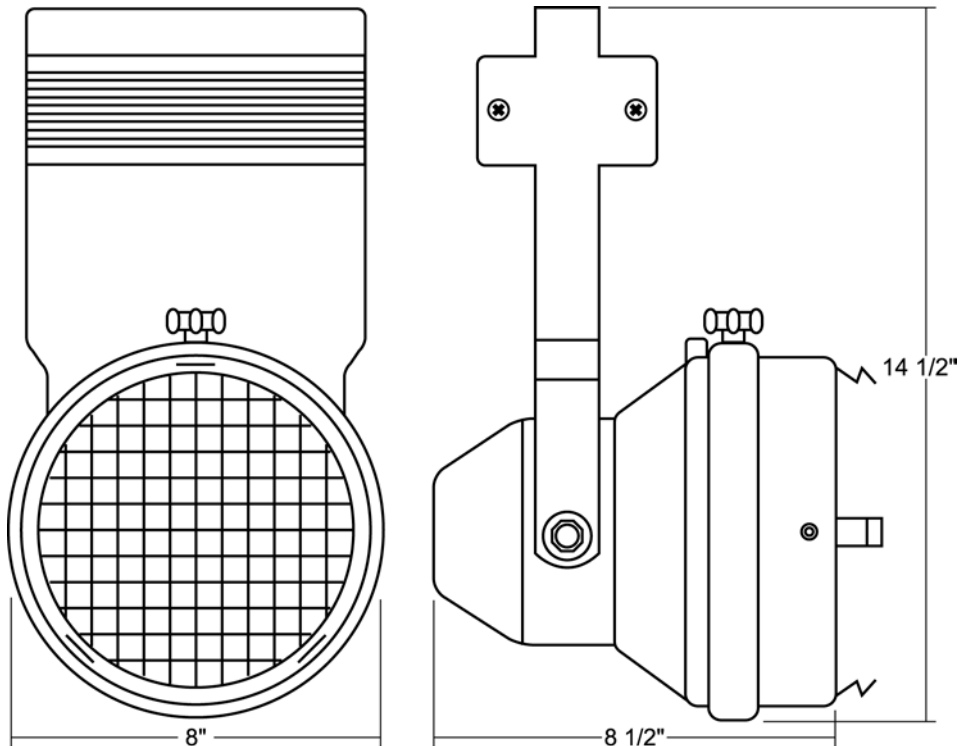
The PB56 utilizes a variety of 120 or 240-watt low voltage PAR56 lamps. These glare-free units are ideal for lighting theatres, museums, churches and retail stores where a long throw fixture may be required.

A hinged front opens for easy re-lamping and also rotates for beam definition. The PB56 has an electronic transformer and is adjusted by the use of a wrench-lock yoke. Accessory-retaining clips accept louvers, barndoors, hoods and a variety of filters. Comes in standard black, white and silver finishes. Custom colors are available by request and at an additional charge.

Features:

- 120, 220 and 277-volt available
- Integral 12-volt dimmable transformer
- Accepts 120 or 240-watt PAR56 lamps
- Rotating lamp holder for beam definition
- Wrench-lock yoke
- Numerous mounting options and accessories

Manufactured in the USA - IBEW

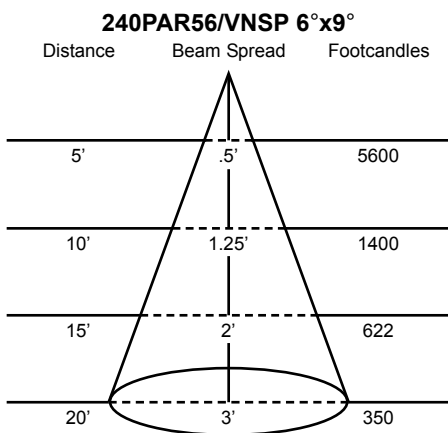
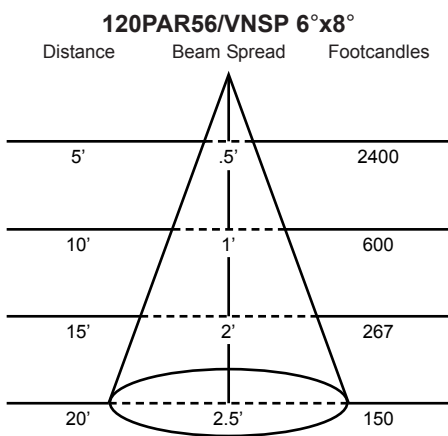


Last updated 03/10/2008.

Specify: PB56 - - -

	MODEL NUMBER	FINISH	MOUNTING (optional)	ACCESSORIES (optional)
Example:	PB56	-B	-T1	-LV9

Photometric Data



Lamp Types

120PAR56/VNSP 120W/12V; 2000Hrs; 6°x8° Beam; 60000 CBCP; 2750°K Color Temp

120PAR56/MFL 120W/12V; 2000Hrs; 9°x18° Beam; 19000 CBCP; 2750°K Color Temp

120PAR56/WFL 120W/12V; 2000Hrs; 18°x35° Beam; 5625 CBCP; 2750°K Color Temp

240PAR56/VNSP 240W/12V; 2000Hrs; 6°x9° Beam; 140000 CBCP; 2800°K Color Temp

240PAR56/MFL 240W/12V; 2000Hrs; 8°x19° Beam; 46000 CBCP; 2800°K Color Temp

240PAR56/WFL 240W/12V; 2000Hrs; 18°x35° Beam; 13000 CBCP; 2800°K Color Temp

Mounting Options

T1
Track adapter for commercial grade 1 and 2-circuit track.

TA2S
Track adapter for specification grade 2-circuit track.

HTA2
Track adapter for specification grade 2-circuit 277-volt track.

TA3
Track adapter for specification grade 3-circuit track.

US1
Unistrut adapter.

MC
Medium duty pipe clamp for pipes up to 1 1/2" O.D.

MN
Medium duty pipe clamp for pipes up to 2" O.D.

PC9M
Heavy duty pipe clamp for pipes up to 2" O.D.

XTSA70
Monopoint canopy for specification grade 2 and 3-circuit track.

CM4
6" Canopy for permanent mounting on standard 4" octagonal outlet boxes.

TB8
8" x 8" Portable table base for floor or table use.

Accessories

LV9	Louwer
XL9	Cross Baffle Louwer
BD9	Barndoor
HD9	Hood
XH9	Cross Baffle Hood
CF9	Color Frame
GF9	Glass Color Filter
DF9	Dichroic Color Filter
GF9-600	5°x50° Linear Lens
GF9-601	Beam Softener
GF9-673	50°x50° Spread Lens
GF9-702	UV Blocking Filter
CC18	Coiled Cord
SC-24	Safety Cable

Finish

B	Black
W	White
S	Silver
CC	Custom Color