

Job Name: Fixture Type: Qty:

Wall Wash by Times Square Lighting



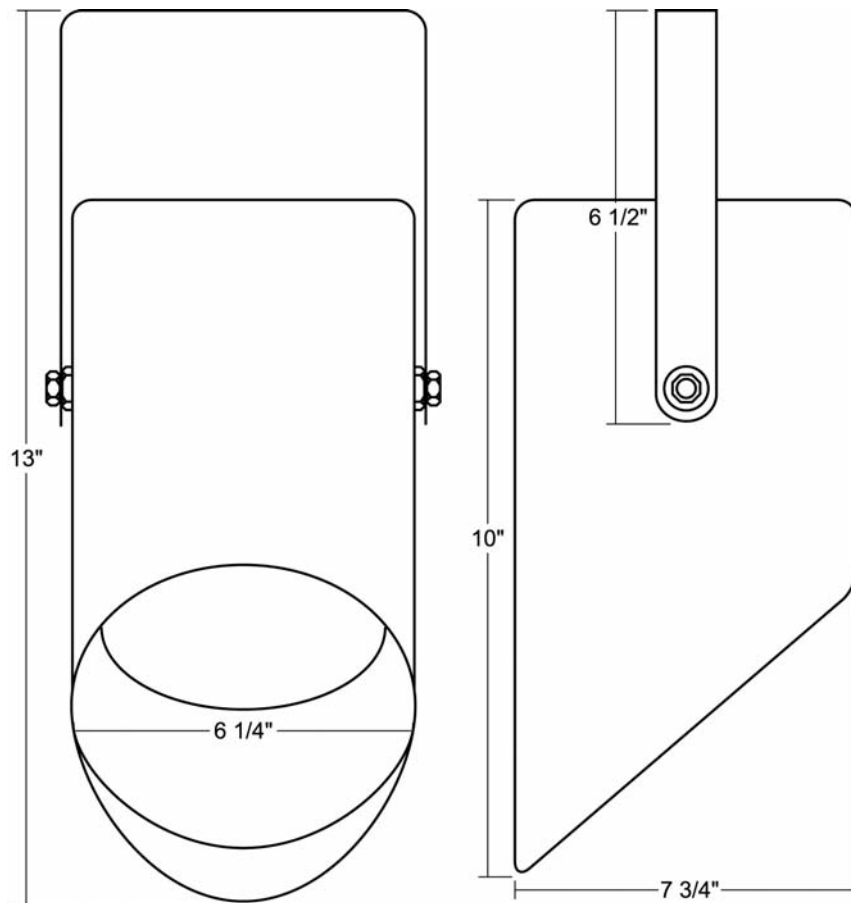
WW38 50-250W PAR38

The WW38 wall wash unit is ideal for applications that require evenly lighting vertical surfaces from top to bottom. This flat back cylinder has sharp cut off and a special reflector system that accepts PAR38 lamps from 50 to 250-watts. Equipped with an internal accessory holder that accepts louvers, barndoors, hoods and filters. Wrench-lock yoke. Available in black, white and silver finishes. Custom colors are available by request and at an additional charge.

Features:

- 120-volt
- Accepts PAR38 lamps from 50 to 250-watts
- Wrench-lock yoke
- Numerous mounting options and accessories

Manufactured in the USA - IBEW



Last updated 03/10/2008.

Specify: WW38 - - -

	MODEL NUMBER	FINISH	MOUNTING (optional)	ACCESSORIES (optional)
Example:	WW38	-B	-T1	-LV7

Photometric Data

100PAR/HIR/FL40 40° - Aimed straight down

	WW38				WW38				
	0'	1'	2'	3'	0'	1'	2'	3'	4'
1' (Distance from Ceiling)	10.0	9.0	9.0	10.0	5.0	4.0	4.0	4.0	5.0
2'	11.0	10.9	10.9	11.0	6.1	5.7	5.5	5.7	6.1
3'	11.0	10.9	10.9	11.0	6.2	6.0	5.9	6.0	6.2
4'	11.4	11.3	11.3	11.4	6.2	6.2	6.1	6.2	6.2
5'	11.2	11.0	11.0	11.2	6.4	6.3	6.3	6.3	6.4
6'	10.9	10.7	10.7	10.9	6.4	6.3	6.3	6.3	6.4
7'	10.1	10.0	10.0	10.1	6.2	6.2	6.2	6.2	6.2
8'	9.0	9.2	9.2	9.1	6.1	6.1	6.0	6.1	6.1
9'	8.6	8.7	8.7	8.6	5.8	5.8	5.8	5.8	5.8
10'	8.2	8.0	8.0	8.2	5.5	5.5	5.5	5.5	5.5

3' from wall, 3' on center

4' from wall, 4' on center

Lamp Types

50PAR/HIR/SP10 50W; 3000Hrs; 10° Beam; 14000 CBCP; 2810°K Color Temp

50PAR/HIR/FL30 50W; 3000Hrs; 30° Beam; 3000 CBCP; 2810°K Color Temp

60PAR/HIR/SP10 60W; 3000Hrs; 10° Beam; 20000 CBCP; 2875°K Color Temp

60PAR/HIR/FL30 60W; 3000Hrs; 30° Beam; 3600 CBCP; 2875°K Color Temp

60PAR/HIR/FL40 60W; 3000Hrs; 40° Beam; 2000 CBCP; 2875°K Color Temp

80PAR/HIR/SP10 80W; 3000Hrs; 10° Beam; 25000 CBCP; 2900°K Color Temp

80PAR/HIR/FL25 80W; 3000Hrs; 25° Beam; 5500 CBCP; 2900°K Color Temp

90PAR/HIR/SP10 90W; 2500Hrs; 10° Beam; 16000 CBCP; 2870°K Color Temp

90PAR/HIR/SP12/XL 90W; 6000Hrs; 12° Beam; 12000 CBCP; 2800°K Color Temp

90PAR/HIR/FL25 90W; 2500Hrs; 25° Beam; 4100 CBCP; 2870°K Color Temp

90PAR/H/CB/FL25 90W; 2500Hrs; 25° Beam; 4100 CBCP; 2870°K Color Temp

90PAR/HIR/FL40/XL 90W; 6000Hrs; 40° Beam; 2800 CBCP; 2800°K Color Temp

100PAR/HIR/SP10 100W; 3000Hrs; 10° Beam; 29000 CBCP; 2900°K Color Temp

100PAR/HIR/FL25 100W; 3000Hrs; 25° Beam; 6300 CBCP; 2900°K Color Temp

100PAR/HIR/FL40 100W; 3000Hrs; 40° Beam; 3400 CBCP; 2900°K Color Temp

Q250PAR/SP10 250W; 4200Hrs; 10° Beam; 40000 CBCP; 2880°K Color Temp

Q250PAR/FL30 250W; 4200Hrs; 30° Beam; 9000 CBCP; 2880°K Color Temp

Mounting Options

T1
Track adapter for commercial grade 1 and 2-circuit track.

TA2S
Track adapter for specification grade 2-circuit track.

HTA2
Track adapter for specification grade 2-circuit 277-volt track.

TA3
Track adapter for specification grade 3-circuit track.

US1
Unistrut adapter.

MC
Medium duty pipe clamp for pipes up to 1 1/2" O.D.

MN
Medium duty pipe clamp for pipes up to 2" O.D.

PC9M
Heavy duty pipe clamp for pipes up to 2" O.D.

XTSA70

Monopoint canopy for specification grade 2 and 3-circuit track.

CM4

6" Canopy for permanent mounting on standard 4" octagonal outlet boxes.

TB4

6" Portable wall mount/table base for floor, wall or table use.

Accessories

LV7	Louwer
XL7	Cross Baffle Louwer
CF7	Color Frame
GF7	Glass Color Filter
DF7	Dichroic Color Filter
GF7-600	5°x50° Linear Lens
GF7-601	Beam Softener
GF7-673	50°x50° Spread Lens
GF7-702	UV Blocking Filter
CC18	Coiled Cord
SC-24	Safety Cable
DM	Integral Dimmer

Finish

B	Black
W	White
S	Silver
CC	Custom Color