

Job Name: Fixture Type: Qty:

Wall Wash by Times Square Lighting



Series 701 60-75W PAR16, 50W PAR20

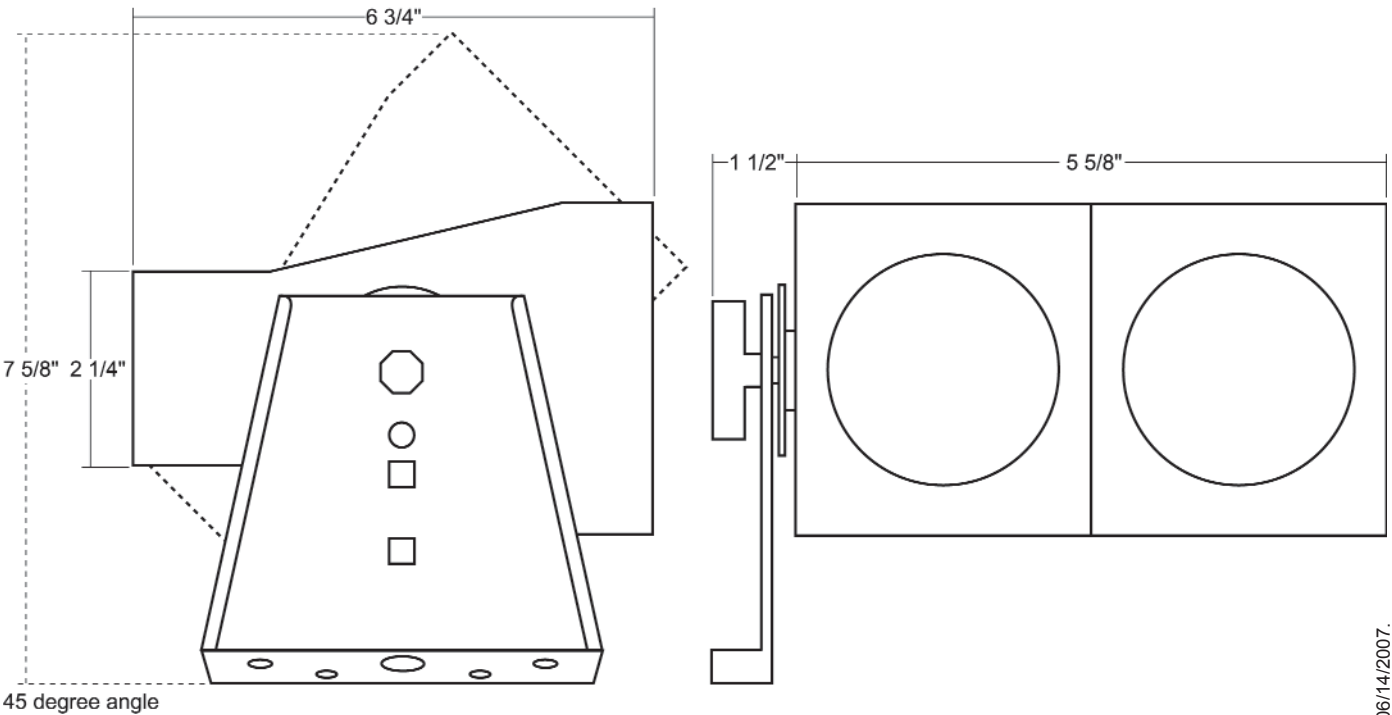
- 701-5** 2'4", 10 lamp, 5 compartment (1-circuit)
- 701-6** 2'9 5/8", 12 lamp, 6 compartment (3-circuit)
- 701-8** 3'8 3/4", 16 lamp, 8 compartment (4-circuit)
- 701-12** 5'13/16", 24 lamp, 12 compartment (3 or 4-circuit)
- 701-15** 7', 30 lamp, 15 compartment (3-circuit)

The Series 701 borderlight is a multi-lamp striplighting fixture designed to accept energy efficient 60 to 75-watt PAR16 or 50-watt PAR20 lamps in a variety of beam spreads. Comes complete with hanging hardware. A three position yoke is available allowing multiple units to hang in one area. Can also be floor mounted. Custom lengths and circuitry available.

Features:

- Compact design
- Accepts energy efficient PAR16 and PAR20 lamps
- Spring-loaded lamp compartment
- Accepts glass filters and diffusers

Manufactured in the USA - IBEW



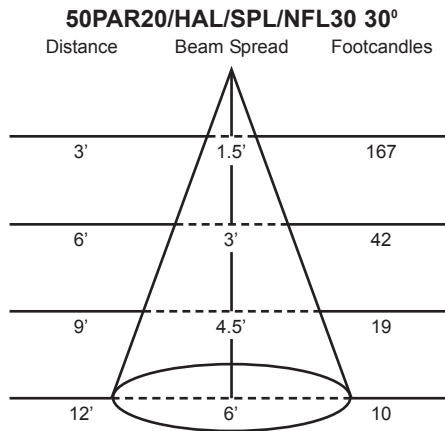
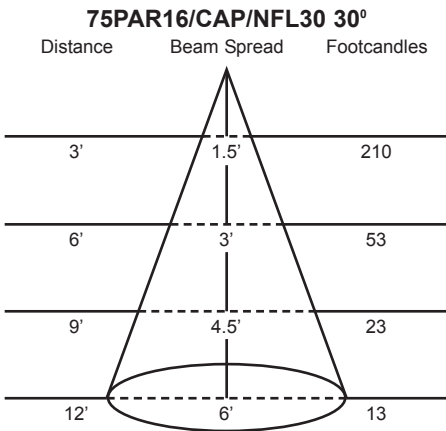
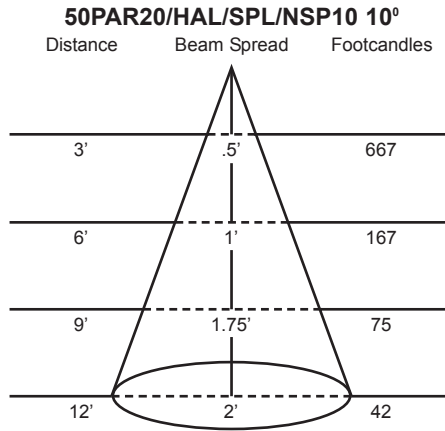
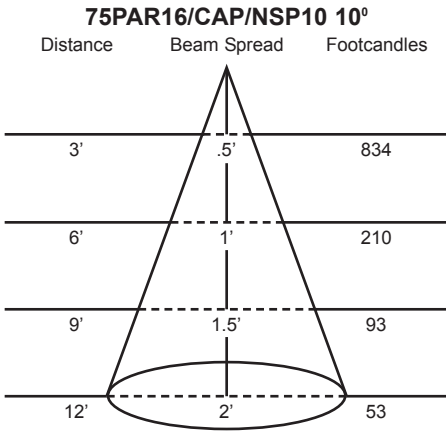
Last updated 06/14/2007.

Series 701 60-75W PAR16, 50W PAR20

Specify: 701- - -

	MODEL NUMBER	FINISH	CONN./MOUNTING	ACCESSORIES (optional)
Example:	701-5	-B	-E2867 -PC9M	-CF26

Photometric Data*



*The photometrics above are based on a single lamp only. Due to the overlapping of beam patterns, actual photometrics depend upon the total number of lamps being used.

Lamp Types

50PAR20/HAL/SPL/NSP10 50W;
2500Hrs; 10° Beam; 550 Lumens; 4600 CBCP

50PAR20/HAL/SPL/NFL30 50W;
2500Hrs; 30° Beam; 550 Lumens; 1200 CBCP

60PAR16/CAP/NSP10 60W; 2000Hrs;
10° Beam; 650 Lumens; 5000 CBCP

60PAR16/CAP/NFL30 60W; 2000Hrs;
30° Beam; 650 Lumens; 1300 CBCP

75PAR16/CAP/NSP10 75W; 2000Hrs;
10° Beam; 900 Lumens; 7500 CBCP

75PAR16/CAP/NFL30 75W; 2000Hrs;
30° Beam; 900 Lumens; 1900 CBCP

Male Connectors

E2867	Edison Plug
E876	Twist Lock
600G	Stage Pin

Female Connectors

E2228	Edison Plug
E896	Twist Lock
601G	Stage Pin

Mounting Options

See index for details.

PC9M

Heavy duty pipe clamp for large, heavy fixtures. For pipes 1/2" to 1 1/2" O.D.

SBB

Set of casted trunions.

Accessories

See index for details.

CF26	Color Frame
GF26	Glass Color Filter
DF26	Dichroic Color Filter
GF26-600	5°x50° Linear Lens
GF26-601	Beam Softener
GF26-673	50°x50° Spread Lens
GF26-702	UV Blocking Filter
SC	Safety Cable

Finish

B	Black
W	White
S	Silver
CC	Custom Color