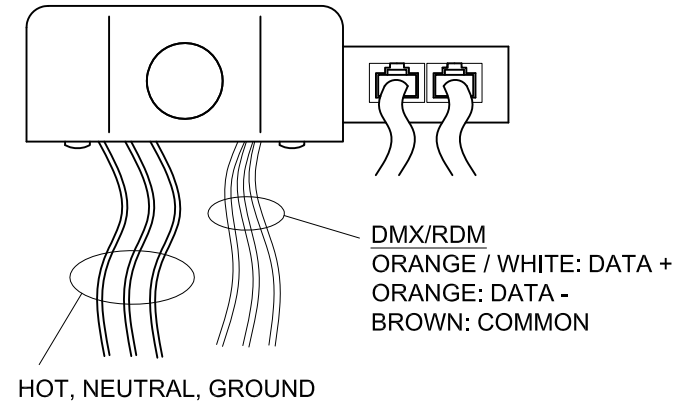
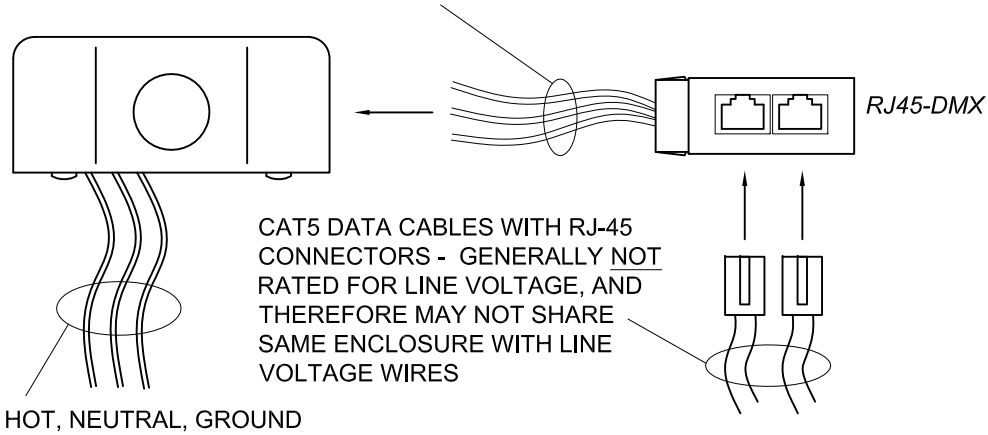


RJ45-DMX ADAPTER INSTALLATION AND WIRING DIAGRAM FOR CAT5 CABLES WITH RJ45 CONNECTORS

THESE WIRES ARE RATED FOR LINE VOLTAGE



RJ45-DMX ADAPTER INSTALLATION AND WIRING DIAGRAM FOR CAT5 CABLES WITHOUT RJ45 CONNECTORS OR FOR BELDEN 9729 (OR EQUIVALENT) CABLES

CAT5 OR BELDEN 9729 (OR EQUIV) DATA CABLES - GENERALLY NOT RATED FOR LINE VOLTAGE, AND THEREFORE MAY NOT SHARE SAME ENCLOSURE WITH LINE VOLTAGE WIRES

