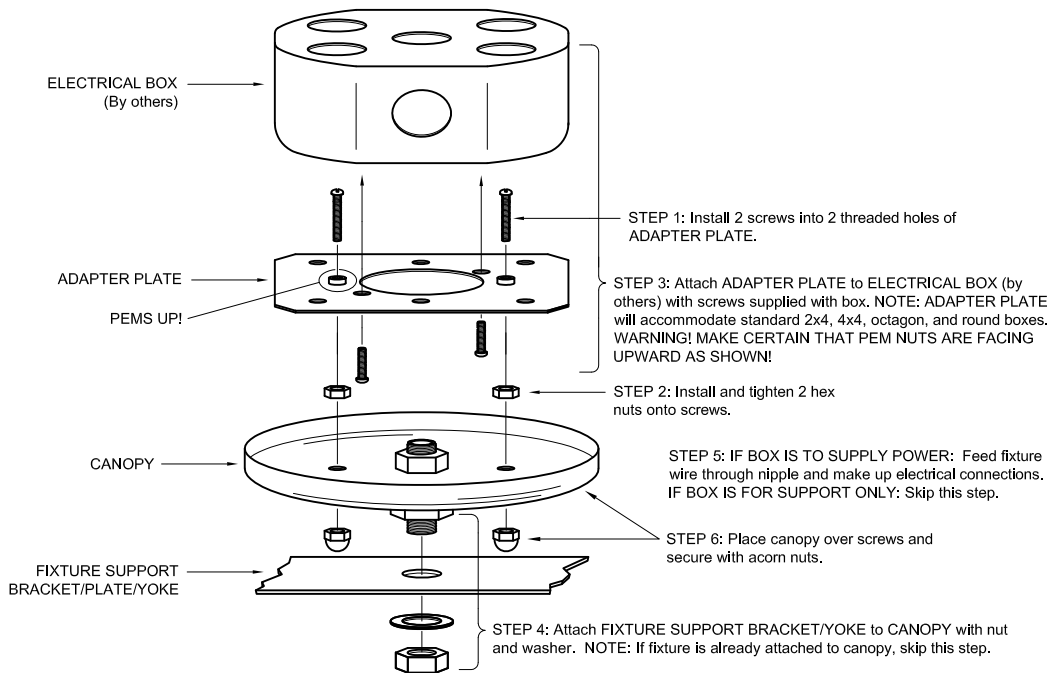


CANOPY-TO-ELECTRICAL BOX MOUNTING INSTRUCTIONS - SAVE THESE INSTRUCTIONS

NOTE: THERE ARE 2 METHODS SHOWN. READ AND UNDERSTAND THE DIFFERENCE BETWEEN BOTH METHODS AS THEY APPLY TO THE INTENDED PERFORMANCE OF THE FIXTURE BEING INSTALLED.

METHOD 1 - STANDARD INSTALLATION



METHOD 2 - ALTERNATE INSTALLATION FOR CANOPIES WHERE THE ACORN NUTS USED IN METHOD 1 MAY INTERFERE WITH THE FIXTURE SUPPORT BRACKET, PLATE OR YOKE.

