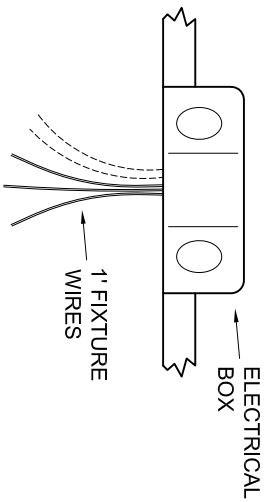


CYX, CYP & CYCR FLUSH MOUNT INSTALLATION INSTRUCTIONS

STEP 1:

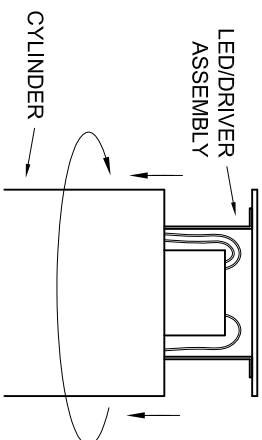
With the yellow wire nuts provided, attach the provided 1' fixture wires to the feed wires in the electrical box:

BLACK to HOT, WHITE to NEUTRAL, GREEN to GROUND, and, if required for 0-10 dimming, VIOLET to [+] (usually violet) & GREY to [-] (usually grey). Allow only the fixture wires to hang below the box as shown.



STEP 3:

Turning counter-clockwise, carefully unscrew the cylinder from the LED/driver assembly as shown, and set the cylinder aside.



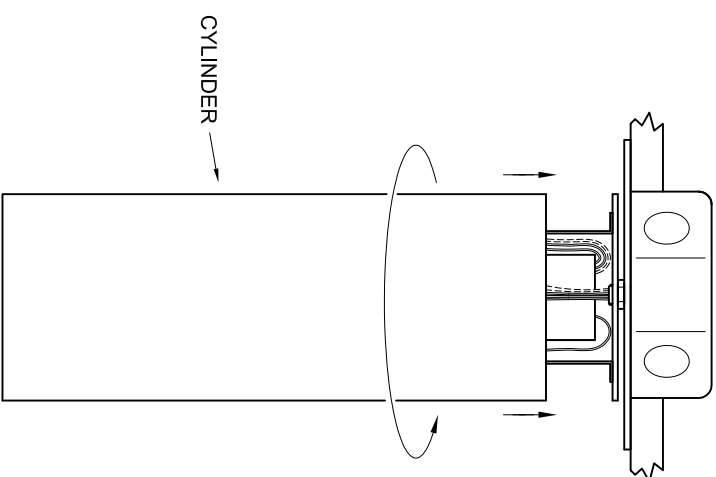
STEP 5:

With the blue wire nuts provided, connect each fixture wire to the appropriate wire in the LED/driver assembly:

BLACK to BLACK (or BROWN) from driver, WHITE to WHITE (or BLUE) from driver, GREEN to GREEN, and, if required for 0-10 dimming, VIOLET to VIOLET from driver & GREY to GREY from driver.

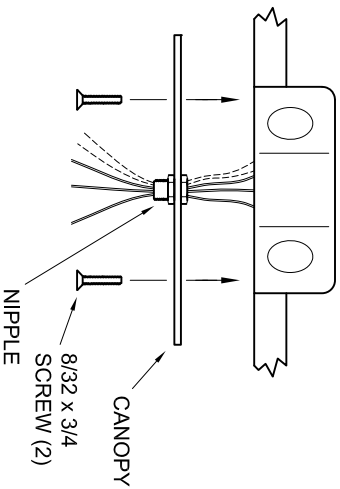
STEP 6:

Turning clockwise, carefully thread the cylinder onto the LED/driver assembly as shown. Make certain not to cross thread the 2 parts!



STEP 2:

Insert the fixture wires through the canopy nipple as shown and attach the canopy to the electrical box with the provided 8-32 x 3/4 screws.



STEP 4:

Turning clockwise, carefully thread the LED/driver assembly onto the nipple as shown.

