



Manufactured in the USA - IBEW



LED10P

9-Watt LED Projector



5 Holt Drive,
Stony Point, NY 10980
845-947-3034
www.tslight.com

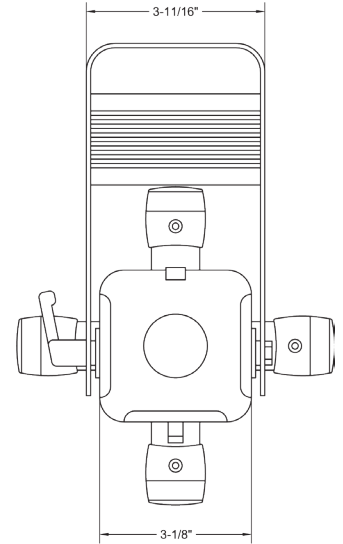
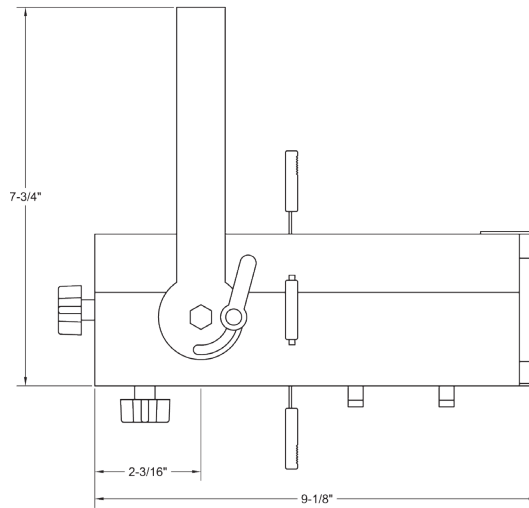
The LED10P is a compact pattern projector that produces intense, sharp or soft edged beams of light. Utilizing an energy efficient LED source, this unit features a unique zoom focusing system that creates various spreads within the same fixture housing. Built-in pattern slots make this unit capable of projecting stock and custom, steel or glass patterns. Available in black, white and silver finishes. Custom colors available by request and at an additional charge.

Features

- Long-life LED source (80 or 95 CRI)
- 120, 220 and 277-volt available
- 4-way adjustable framing shutters
- Zoom lens system
- Built-in pattern slot
- Fully dimmable
- Stock or custom, glass or steel patterns
- Numerous mounting options and accessories
- Beam: 25°
- Field: 42°
- CBCP: 3440
- Lumens: 590 (66 lm/W)
- Weight: 3.6 lbs

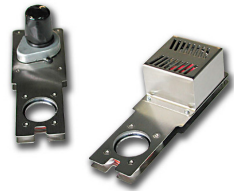
LED Emitter Options

80 CRI	3000°K, 590 Lumen
95 CRI	3000°K, 490 Lumen



Pattern Rotator

5300 Mini Spin (Variable Speed Pattern Rotator)



Ordering Matrix

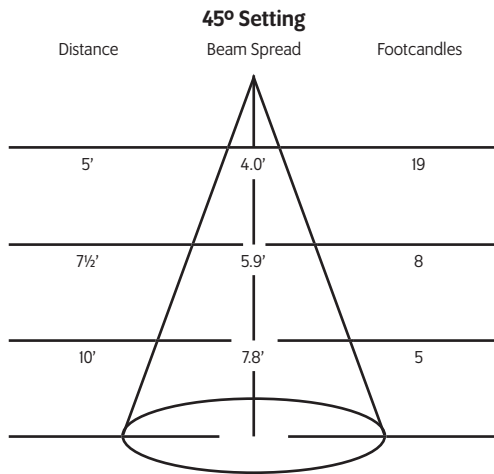
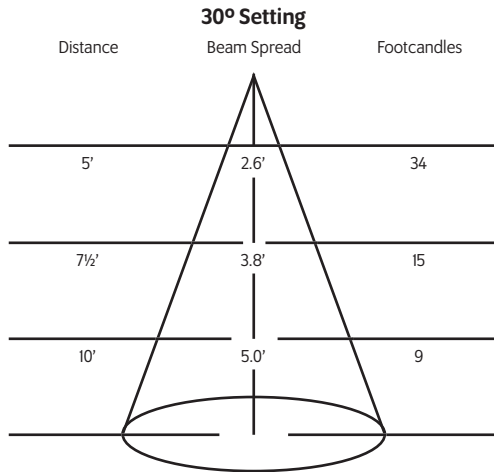
Model	Finish	CRI	Mounting	Accessories
LED9P	B = Black W = White S = Silver CC = Custom Color	80 95	See Mounting Options	See Accessory Options

Example: LED10P-B-80-MN-PHE

LED10P - _____ - _____ - _____ - _____

* Specification sheets are subject to change without notice.

Photometric Data



Mounting Options

ADI

Track Adapter for commercial grade 1 & 2 circuit track. 120V. For use with lightweight fixtures.

TI

Track Adapter for commercial grade 1 & 2 circuit track. 120V. For use with larger, heavier fixtures.

TA1 / TE2 (2 ckt)

Track adapter for E-Series specification grade track. 1 or 2 circuit. 120V.

TA2 / HTA2 (277V)

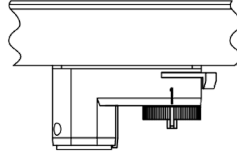
Track adapter for G-Series specification grade 2-circuit track. 120V or 277V.

ST2

2 circuit track adapter for Data Bus. Specification grade track. 120V.

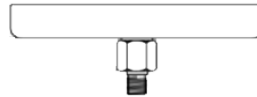
TA3

Track adapter for G-Series specification grade 3-circuit track. 120V.



CM4

Canopy Mount



US1 6⅞" x 1½"

Unitrut Adapter

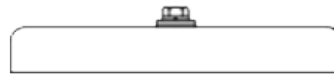


TB4 6¼"

Portable wall mount/table base for floor, wall, and table use

TB8 8" x 8"

Portable table base for floor and table use



MC

Light duty pipe clamp for small fixtures. For pipes up to 15/16" O.D.

MN

Medium duty pipe clamp for small to large fixtures. For pipes up to 2" O.D.

PC9M

Heavy duty pipe clamp for large, heavy fixtures. For pipes up to 2" O.D.

Accessories

PHE	Steel Pattern Holder
PDE	Pattern Donut
HD4	Hood/Snoot
SPE	Stock Pattern Steel
CPE	Custom Pattern Steel
GPE	Custom Pattern Glass Black and White
GPE2	Custom Pattern Glass 2-Color
GPE4	Custom Pattern Glass 4-Color
CF4	Color Frame
GH6	Glass Pattern Holder
GF4	Glass Color Filter
DF4	Dichroic Color Filter
GF4-702	UV Blocking Filter
CC18	Coiled Cord
2I	Iris

Extension Wands

SP 12	12" Stem
SP 18	18" Stem
SP 24	24" Stem
SP X	Custom Length

Finish

B	Black
W	White
S	Silver
CC	Custom Color

Patterns

For standard and custom patterns please see the pattern specification sheet. For a complete list, please contact a Times Square Lighting representative.

View Patterns: <http://tsq.li/2bMBz3l>

