

# MR16R

## Specification Sheet - New Construction



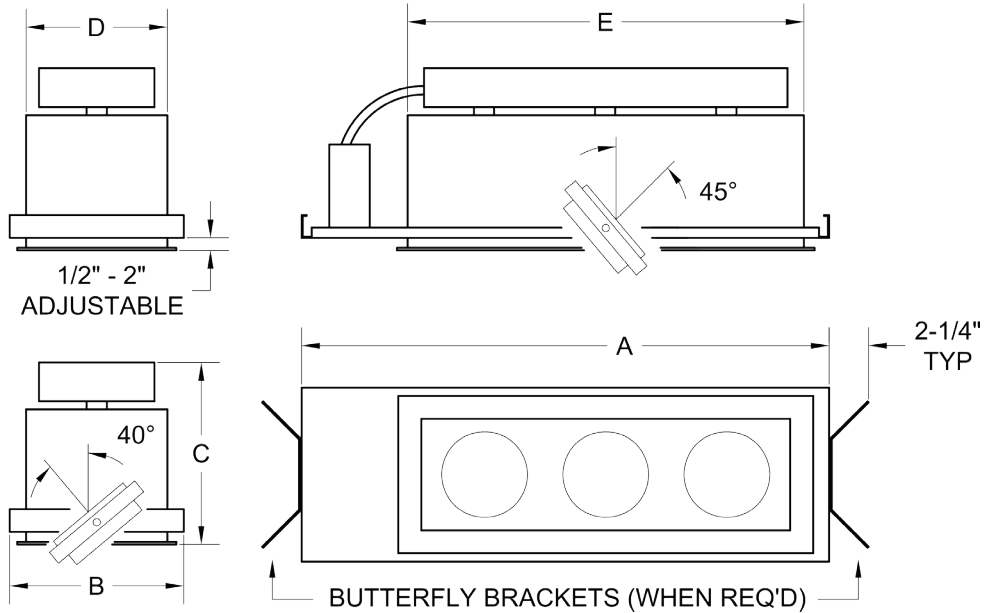
5 Holt Drive,  
Stony Point, NY 10980  
845-947-3034  
info@tslight.com

Manufactured in the USA - IBEW



### Features

- Accepts low voltage LED MR16 lamps
- Available in 1 to 4-light linear configurations
- Blends into the ceiling and can be installed with or without trim
- Each Lamp Holder is individually mounted for pan and tilt
- Easy front relamping
- Accepts a variety of lenses and accessories
- Integral Thermal Protection
- Adjustable trim with torsion springs for ceilings up to 2" thick
- Adjustable butterfly mounting brackets included (additional mounting hardware provided by others)
- Fully enclosed wiring compartment
- Black, white and silver trims available - custom colors upon request
- 120 or 277-volt versions available



|         | Length | Width | Height | Ceiling Cut-Out |      |
|---------|--------|-------|--------|-----------------|------|
| Model # | (A)    | (B)   | (C)    | (D)             | (E)  |
| MR16R-1 | 12½"   | 6⅞"   | 6½"    | 5¾"             | 6¼"  |
| MR16R-2 | 16½"   | 6⅞"   | 6½"    | 5¾"             | 10¼" |
| MR16R-3 | 20¾"   | 6⅞"   | 6½"    | 5¾"             | 14⅛" |
| MR16R-4 | 24¾"   | 6⅞"   | 6½"    | 5¾"             | 18⅞" |

### Ordering Matrix

| Model | # of Lamps   | Voltage                  | Inside Finish                                       | Trim Finish   |
|-------|--|--------------------------|---|---|
| MR16R | 1 = 1-Linear<br>2 = 2-Linear<br>3 = 3-Linear<br>4 = 4-Linear | 120 = 120V<br>277 = 277V | B = Black<br>W = White<br>S = Silver<br>CC = Custom | B = Black<br>W = White<br>S = Silver<br>CC = Custom |

Maximum Ambient temperature: 35°C

**Example:** MR16R-3-B-W-120

MR16R-\_\_\_\_\_ - \_\_\_\_\_ - \_\_\_\_\_ - \_\_\_\_\_

\*Specification sheets are subject to change without notice.

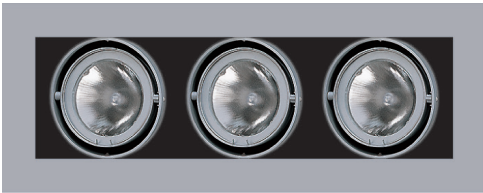
## 1-Linear MR16R-1



## 2-Linear MR16R-2



## 3-Linear MR16R-3



## 4-Linear MR16R-4



## Accessories

---

|                 |                |
|-----------------|----------------|
| <b>GF38</b>     | Colored Glass  |
| <b>GF38-601</b> | Beam Softener  |
| <b>GF38-600</b> | 5°x50° Linear  |
| <b>GF38-673</b> | 50°x50° Spread |
| <b>GF38-702</b> | UV Blocking    |
| <b>HD38</b>     | Snoot          |
| <b>XH38</b>     | Cross Baffle   |