



Manufactured in the USA - IBEW



XICATO

Features

- Available in 1 to 4-light linear configurations
- 50,000 Hour life per LED module
- 20°, 40°, and 60° Field-changeable reflectors
- Choice of color temperatures: 2700, 3000, 3500, & 4000°K
- Available in 83 or 98 CRI
- Lutron: Consult factory for details.
- Blends into the ceiling and can be installed with or without trim
- Each LED is individually mounted for pan and tilt
- Accepts a variety of lenses and accessories
- Adjustable trim with torsion springs for ceilings up to 2" thick
- Adjustable butterfly mounting brackets included (additional mounting hardware provided by others)
- Fully enclosed wiring compartment
- Black, white and silver trims available - custom colors upon request
- Meets FCC 47 CFR Part 15/18 Requirements

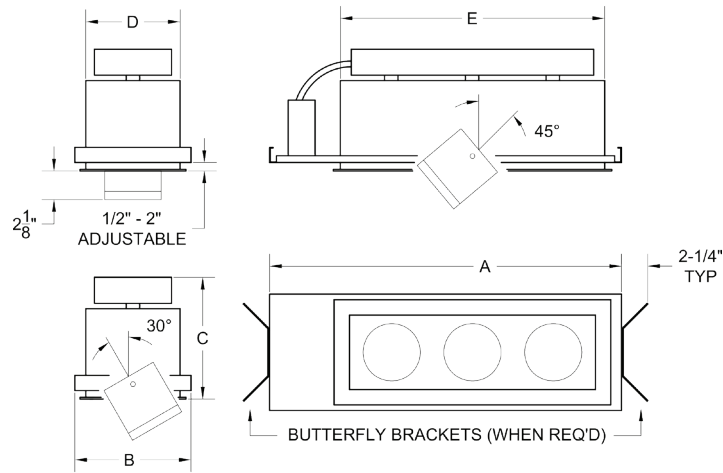
XT13SR 13W

1300 Lumen LED

Specification Sheet - New Construction



5 Holt Drive,
Stony Point, NY 10980
845-947-3034
info@tslight.com



LED

- Xicato™ cold remote phosphor LED module
- Color temp options: 2700K, 3000K, 3500K, 4000K
- CRI: 83 standard or 98 optional (R9=96)
- Lumen maintenance: 86% of initial lumen output at 50,000 hours on LM-80 testing
- SDCM: 1 x 2 MacAdam Ellipse. 50 kelvin tolerance
- No UV or IR

Module	Total Wattage	Delivered Lumen	Efficacy (Lm/W)	CRI
83	13	1235	95	83
98	17	1235	67	98

* Total wattage equals LED plus driver. Delivered lumen may vary depending on LED module, color temperature, optics, and accessories.

Model #	Length (A)	Width (B)	Height (C)	Ceiling Cut-Out	
				(D)	(E)
XT13SR-1	14 3/8"	8 5/8"	8 1/2"	7 1/8"	8"
XT13SR-2	20 1/4"	8 5/8"	8 1/2"	7 1/8"	14"
XT13SR-3	26 1/8"	8 5/8"	8 1/2"	7 1/8"	20"
XT13SR-4	32 1/8"	8 5/8"	8 1/2"	7 1/8"	25 3/4"

Ordering Matrix

Model	# of Lamps	CRI	Color Temp	Inside Finish	Trim Finish	Voltage	Reflector	Dimming*
XT13SR	1 = 1-Linear 2 = 2-Linear 3 = 3-Linear 4 = 4-Linear	83 ≥ 83 98 ≥ 98	27 = 2700K 30 = 3000K 35 = 3500K 40 = 4000K	B = Black W = White S = Silver CC = Custom	B = Black W = White S = Silver CC = Custom	100 = 100V 120 = 120V 240 = 230-240V 277 = 277V	20 = 20° 40 = 40° 60 = 60°	ND = Non-Dimming TE = Trailing Edge LE = Leading Edge** 010 = 0-10V DMX = DMX Basic

* See Reverse for notes on dimming. Maximum Ambient temperature: 35°C

** Not available in 240-277V

Example: XT13SR-3-83-30-B-W-120-40-ND

XT13SR-_____ - _____ - _____ - _____ - _____ - _____ - _____

1-Linear XT13SR-1



2-Linear XT13SR-2



3-Linear XT13SR-3



4-Linear XT13SR-4



Notes on Dimming:

- TE** This means the fixture will work on MOST quality Trailing Edge dimmers. These dimmer types are also known as Reverse Phase or Electronic Low Voltage (ELV), and are available as wall mount and rack mount modules.
- LE** This means the fixture will work on MOST quality Leading Edge dimmers. These dimmer types are also known as Forward Phase, Incandescent, Halogen or Triac, and are available as wall mount and rack mount modules.
- 0-10** This means the fixture will work on MOST quality 0-10V or 1-10V dimmers. These dimmer types are also known as Fluorescent, and are available as wall mount and rack mount modules.

It is impractical to test every fixture type with every dimmer type, and some combinations work better than others, while some not at all.

It is advisable to pretest a particular fixture with an intended dimmer beforehand to insure that the combination will work as expected.

Some dimmers will allow for full-range dimming, while others will only dim to 50%.

Some dimmers will work well within a certain range, and perhaps flicker or shut off at the lowest settings, rendering that portion of the range unusable.

Most if not all dimmers have a maximum LED load that can be applied, often as little as 10% of its nominally rated value.

Dimming LEDs can actually extend their life expectancy, and will not affect the color temperature or CRI.

Accessories

LV18	Louver
DF22	Dichroic Color Filter
GF22-600	5°x50° Linear Lens
GF22-601	Beam Softener
GF22-673	50°x50° Spread Lens
X00517	Glass / Dichroic Filter