



Manufactured in the USA - IBEW



Features

- 100-277 Volt available
- 50,000 hour lamp life
- Framing shutters included
- Stock or custom, steel or glass patterns
- Dimmable (optional)
- Numerous accessories available
- Pantograph allows for wide range of aiming angles.

Construction

- Aluminium and steel pattern and framing projector with black, white or silver finish
- Accessory slot for color glass
- Internal framing shutters
- Accepts Z-size glass or metal gobo
- Accepts up to 2 accessories
- Weight: 3 lbs.

Optics

- 19°, 26°, 36° and 50° Lens Tube available

Electrical

- 21 watt power consumption
- Integral electronic driver
- Meets FCC 47 CFR Part 15/18 Requirements

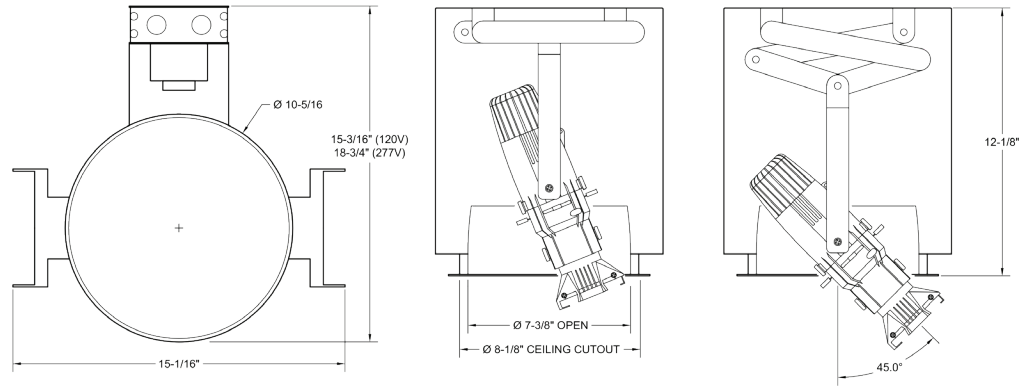
CHELSEA RECESSED

PATTERN & FRAMING PROJECTOR



5 Holt Drive,
Stony Point, NY 10980
845-947-3034
www.tslight.com

The Chelsea Recessed is a compact framing and gobo projector. Producing a crisp beam of light, it is perfect for illuminating artwork or projecting a pattern. The unit is attached to a pantograph, which allows for a wide aiming range. A wide range of dimming, color and voltage options are available.



LED

- Color Temperature: 3200K
- CRI: 90
- No UV or IR

Dimming

- Trailing edge (ELV): 120V
- Leading edge (Triac): 120V
- 0-10V: 120-277V

Trim

- Available as black, white or custom color.

Ordering Matrix

Model	Finish	Trim	Voltage	Optics	Dimming*	Accessories
LED2IPR	B = Black W = White	B = Black W = White	120 277	19 = 19° 26 = 26° 36 = 36° 50 = 50°	TE = Trailing Edge (120V Only) LE = Leading Edge (120V Only) ND = Non-Dimming 010 = 0-10V DMX = DMX Basic	See Accessory Options

Maximum ambient temperature: 35°C
Maximum operating angle: 45° from vertical

* See "Notes on Dimming" on reverse

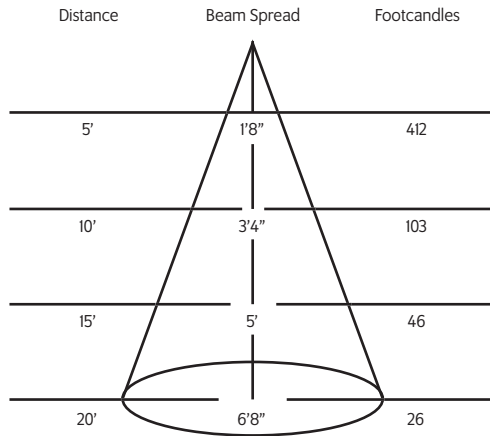
Example: LED2IPR-B-B-120-19-SPI

LED2IPR-_____-_____-_____-_____-_____-_____

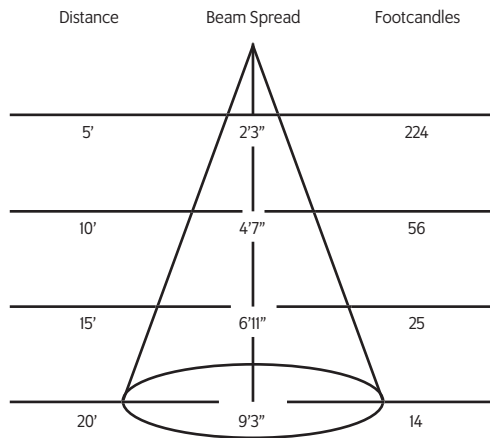
* Specification sheets are subject to change without notice.

Photometric Data

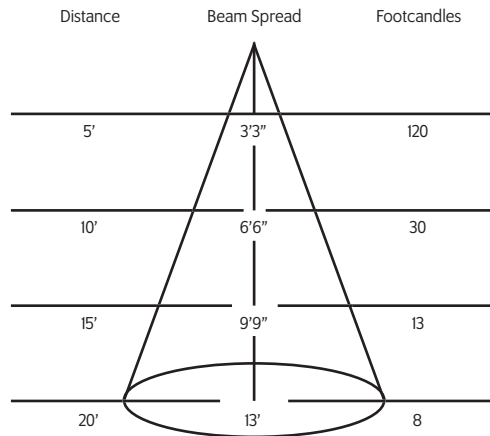
19° LENS TUBE



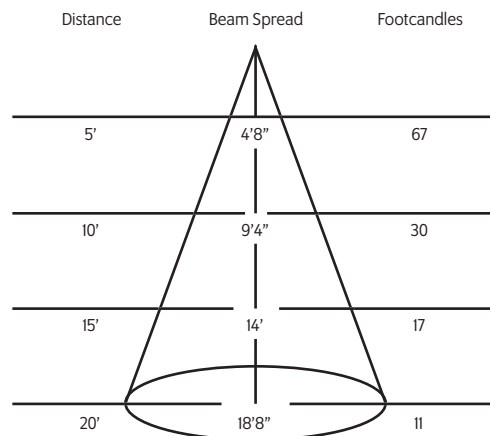
26° LENS TUBE



36° LENS TUBE



50° LENS TUBE



Patterns

For standard and custom patterns please see the pattern specification sheet. For a complete list, please contact a Times Square Lighting representative.

View Patterns: <http://tsq.li/2bMBz3l>



Accessories

SPI	Stock Pattern Steel
CPI	Custom Steel Pattern
PH2	Pattern Holder
CC18	Coiled Cord
4MCF	Color Frame
4MTH	Top Hat
4MTHS	Top Hat Short
4MHH	Half Hat
4MHHS	Half Hat Short
4MDN	Donut

Notes On Dimming

- **TE** This means the fixture will work on MOST quality Trailing Edge dimmers. These dimmer types are also known as Reverse Phase or Electronic Low Voltage (ELV), and are available as wall mount and rack mount modules.
- **LE** This means the fixture will work on MOST quality Leading Edge dimmers. These dimmer types are also known as Forward Phase, Incandescent, Halogen or Triac, and are available as wall mount and rack mount modules.
- **0-10** This means the fixture will work on MOST quality 0-10V or 1-10V dimmers. These dimmer types are also known as Fluorescent, and are available as wall mount and rack mount modules.

It is impractical to test every fixture type with every dimmer type, and some combinations work better than others, while some not at all.

It is advisable to pretest a particular fixture with an intended dimmer beforehand to insure that the combination will work as expected.

Some dimmers will allow for full-range dimming, while others will only dim to 50%.

Some dimmers will work well within a certain range, and perhaps flicker or shut off at the lowest settings, rendering that portion of the range unusable.

Most if not all dimmers have a maximum LED load that can be applied, often as little as 10% of its nominally rated value.

Dimming LEDs can actually extend their life expectancy, and will not affect the color temperature or CRI.