

# MOSAIC Profile

## Color Mix Pattern & Framing Projector



5 Holt Drive,  
Stony Point, NY 10980  
845-947-3034  
www.tsight.com

### Color Mixing - Tunable White

The Mosaic Profile is a color mixing and variable white pattern and framing projector with high-CRI output that is tunable between 1650K-8000K. Featuring framing shutters and DMX control, it is designed to blend into any architectural space, making it a perfect choice for museums, retail applications and restaurants.

#### Key Features:

- 1000 Lumen Output
- 4 DMX Channels
- Tunable range: 1650 - 8000K tunable white.
- 90+ CRI
- Dimmable from 100 - 0.1% at constant CCT
- <2 MacAdam ellipse over 50,000 hour life
- On-board Bluetooth Low Energy (BLE) included in every fixture

Manufactured in the USA - IBEW



### Features

- 20° - 40° beam spread
- Framing shutters included
- Stock or custom, steel or glass patterns
- Numerous mounting options and accessories

### Construction

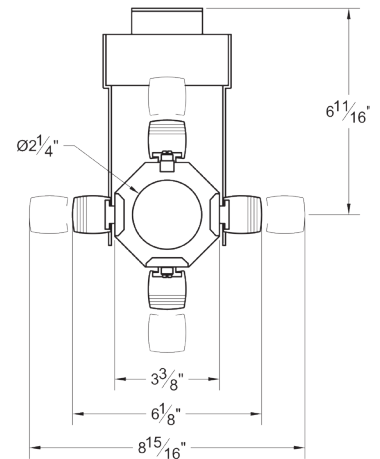
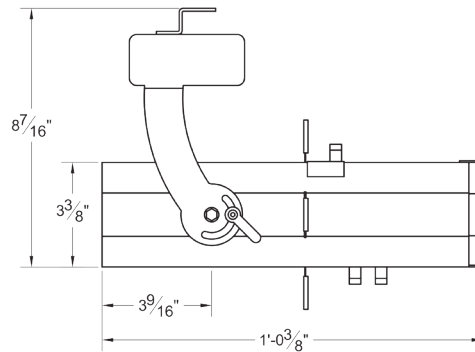
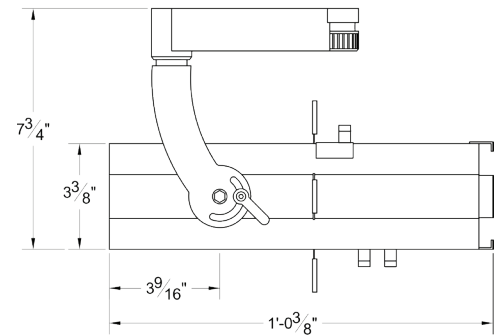
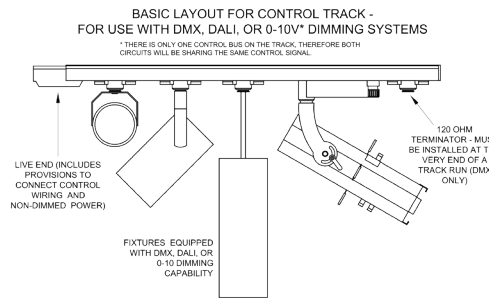
- Steel housing with black, white or silver finish
- Accepts up to 2 accessories
- Weight: 5.5 lbs.

### Optics

- 20°-40° Zoom optics system

### Electrical

- Integral electronic driver
- Meets FCC 47 CFR Part 15/18 Requirements
- 90-305 VAC, 50/60 Hz
- Power Consumption: 25W
- Do not install on a circuit containing a dimmer.



### Ordering Matrix

Model	Finish	Mounting	Dimming*
MPRO	B - Black W - White S - Silver CC - Custom Color	See Mounting Options	ECO = Lutron Ecosystem 010V = 010V Dimming BT = Bluetooth DX = DMX / RDM

\* Maximum Ambient Temperature 40° C

Example: MPRO-B-N4-DX

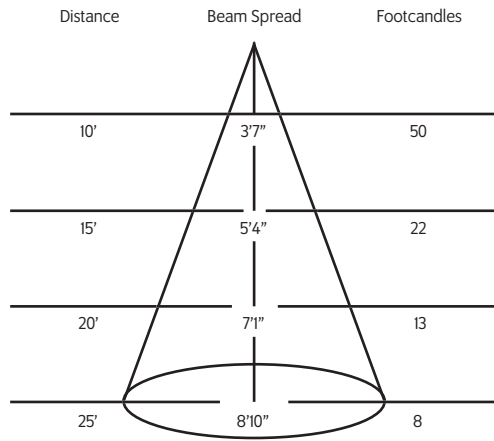
MPRO - \_\_\_\_\_ - \_\_\_\_\_ - \_\_\_\_\_



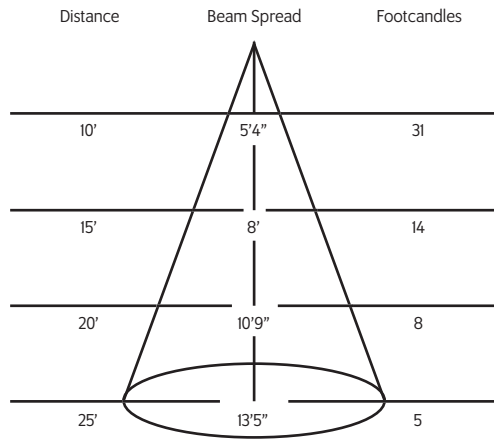
\* Specification sheets are subject to change without notice.

## Photometric Data 4000° K 95CRI

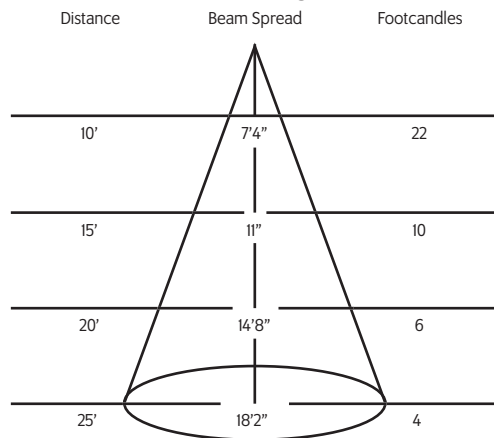
### 20° Setting



### 30° Setting



### 40° Setting



## Mounting Options

### GAC

Track adapter for global pulse track.

### N4

Mounting for Data Bus 2-circuit specification e-series grade track. 120V.

### STA

2 circuit track adapter for Data Bus. Specification grade track. 120V.

### N5

Mounting for Data Bus 2-circuit specification e-series grade track. 277V.

### HSTA

Track adapter for G-Series specification grade 2-circuit track. 277V.

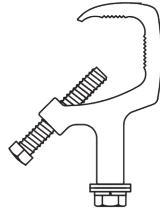
### US1\*

6 5/8" x 1 1/2" Unistrut adapter.



### MN\*

Medium duty pipe clamp for small to large fixtures. For pipes up to 2" O.D.



### CM3\*

Canopy mount.

### IG\*

(Blue tooth, 010V dimming, lutron ecosystem only).

\* Contact factory for wiring details.

## Accessories

### CF6

Color Frame

### SN6

Snoot/Hood

### PH6

Pattern Holder

### PD6

Pattern Donut

### SPE

Stock Pattern Steel

### CPE

Custom Pattern Steel

### GPE

Custom Pattern Glass

### DF6

Dichroic Color Filter

### GF6-702

UV Blocking Filter

### CC18

Coiled Cord

### 5300

Mini Spin (variable speed pattern rotator)

## Extension Wands

### SP12

12" Stem

### SP18

18" Stem

### SP24

24" Stem

### SPX

Custom Length

## Patterns

For standard and custom patterns please see the pattern specification sheet. For a complete list, please contact a Times Square Lighting representative.

View Patterns: <http://tsq.li/2bMBz3l>

