



# SoHo Mini

## Mini LED Projector



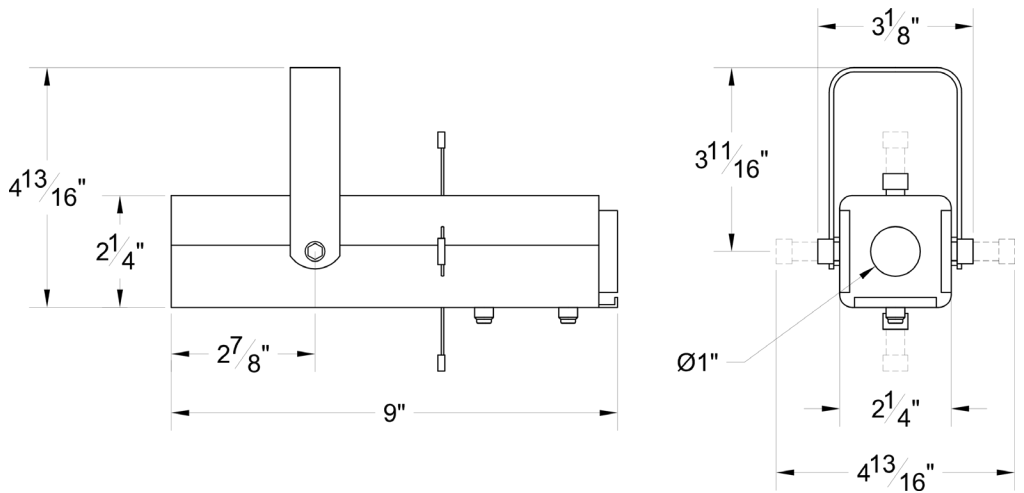
5 Holt Drive,  
Stony Point, NY 10980  
845-947-3034  
www.tslight.com

The SoHo Mini LED Pattern and framing projector is ideal for low ceiling heights and short-throw applications where a compact fixture is required. At 7.5 watts, this is the most energy efficient projector in our line. Utilizing a zoom focus lens system allows the user to adjust beam angles from 25-40° without the use of tools.

The SoHo Mini is ideal for venues such as, restaurants, museums, retail stores, and display booths. Available in black, white, and silver finishes. Custom finishes are available upon request at an additional charge.

### Features

- 7.5 Watt dimmable led source
- 4-way Adjustable framing shutters
- Built-in pattern slot
- Zoom lens system (25°-40°)
- Accepts stock or custom patterns
- Numerous mounting options
- Weight: 1.5 lbs



### LED Types

<b>109</b>	7.5W; 475 Lumens; 2700°K; 80CRI; 35,000Hrs
<b>113</b>	7.5W; 500 Lumens; 3000°K; 80CRI; 35,000Hrs

### Ordering Matrix

Model	Module	Finish	Mounting	Accessories
QIZ	109 113	B = Black W = White S = Silver CC = Custom Color	See Mounting Options	See Accessory Options

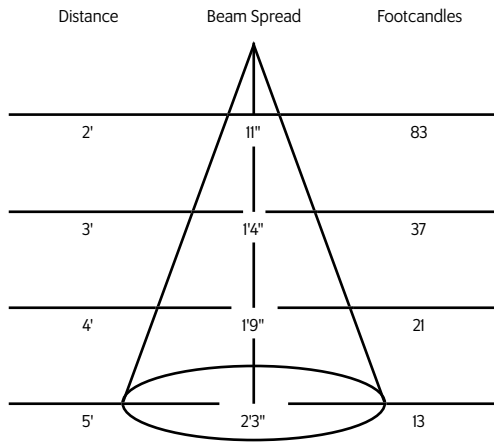
**Example:** QIZ-109-B-TAI-DF

QIZ- \_\_\_\_\_ - \_\_\_\_\_ - \_\_\_\_\_ - \_\_\_\_\_

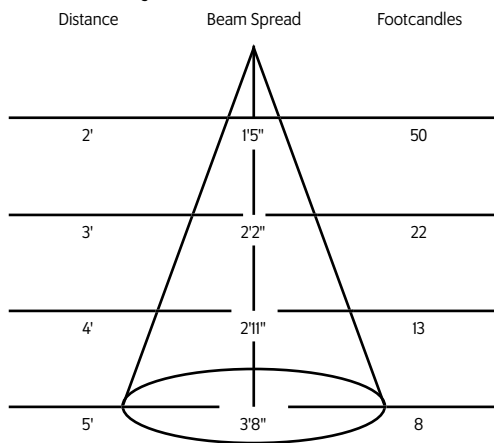
\*Specification sheets are subject to change without notice.

## Photometric Data

### QIZ-113: 25° Spot Position



### QIZ-113: 40° Flood Position



## Mounting Options

### ADI

Track adapter for commercial grade 1 & 2 circuit track. 120V. For use with Lightweight fixtures.

### TI

Track adapter for commercial grade 1 & 2 circuit track. 120V. For use with larger, heavier fixtures.

### TA2

Track adapter for G-Series specification grade 2-circuit track. 120V

### TA3

Track adapter for G-Series specification grade 3-circuit track. 120V.

### TA1 / TE2 (2 circuit)

Track adapter for E-Series specification grade track. 1 or 2 circuit. 120V.

### ST2

2 circuit track adapter for Data Bus. Specification grade track. 120V.

### CM4

Canopy mount.

### US1

6 5/8" x 1 1/2" Unistrut adapter.

### TB4

6 1/4" Portable wall mount/table base floor, wall or table use.

### MC

Light duty pipe clamp for small fixtures. For pipes up to 1 5/16" O.D.

### MN

Medium duty pipe clamp for small to large fixtures. For pipes up to 2" O.D.

### PC9M

Heavy duty pipe clamp for large, heavy fixtures. For pipes up to 2" O.D.

## Accessories

### CFI

Color Frame

### SNI

SNOOT/HOOD

### PHI

Pattern Holder Steel

### PDI

Pattern Donut

### SPI

Stock Pattern Steel

### CPI

Custom Pattern Steel

### GFI

Glass Color Filter

### DFI

Dichroic Color Filter

### CCI8

Coiled Cord

### IP

Integrated Dimmer

## Extension Wands

### SP 12

12" Stem

### SP 18

18" Stem

### SP 24

24" Stem

### SP X

Custom Length

## Finish

### B

Black

### W

White

### S

Silver

### CC

Custom Color

## Patterns

For standard and custom patterns please see the pattern specification sheet.



[Click here to download pattern datasheet.](#)