



Manufactured in the USA - IBEW



LED10P

9-Watt LED Projector



5 Holt Drive,
Stony Point, NY 10980
845-947-3034
www.tslight.com

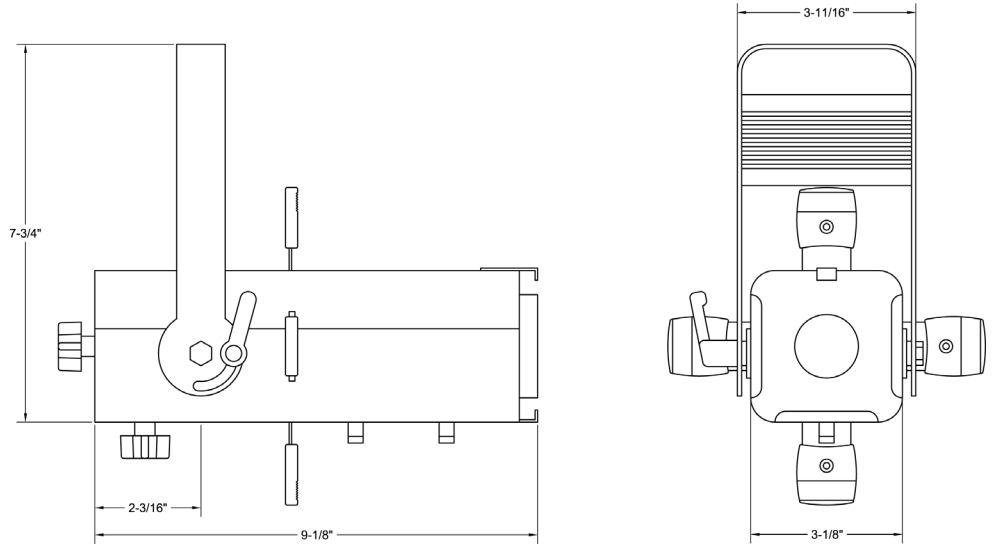
The LED10P is a compact pattern projector that produces intense, sharp or soft edged beams of light. Utilizing an energy efficient LED source, this unit features a unique zoom focusing system that creates various spreads within the same fixture housing. Built-in pattern slots make this unit capable of projecting stock and custom, steel or glass patterns. Available in black, white and silver finishes. Custom colors available by request and at an additional charge.

Features

- Long-life LED source (80 or 95 CRI)
- 120, 220 and 277-volt available
- 4-way adjustable framing shutters
- Zoom lens system
- Built-in pattern slot
- Fully dimmable
- Stock or custom, glass or steel patterns
- Numerous mounting options and accessories
- Beam: 25°
- Field: 42°
- CBCP: 3440
- Lumens: 590 (66 lm/W)
- Weight: 3.6 lbs

LED Emitter Options

80 CRI	3000°K, 590 Lumen
95 CRI	3000°K, 490 Lumen



Ordering Matrix

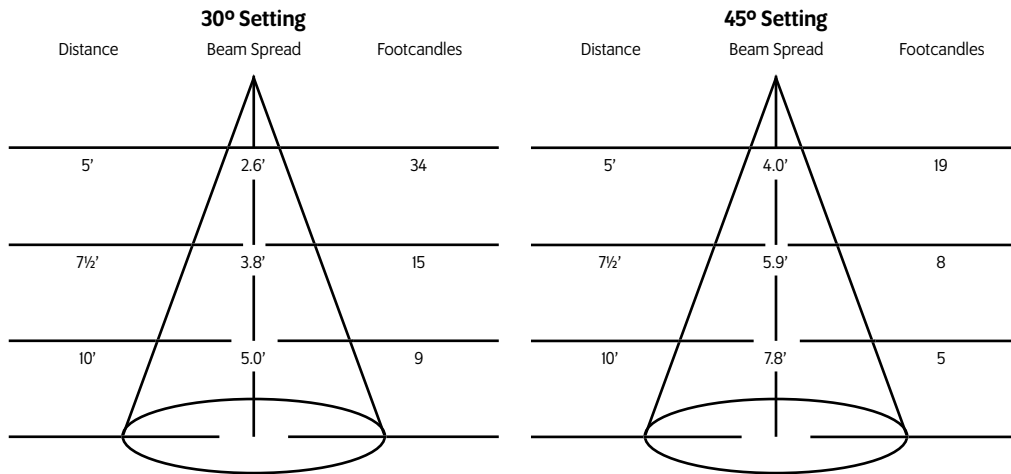
Model	Finish	CRI	Mounting	Accessories
LED10P	B = Black W = White S = Silver CC = Custom Color	80 95	See Mounting Options	See Accessory Options

Example: LED10P-B-80-MN-PHE

LED10P - _____ - _____ - _____ - _____

* Specification sheets are subject to change without notice.

Photometric Data



Accessories

PHE	Steel Pattern Holder
PDE	Pattern Donut
HD4	Hood/Snoot
SPE	Stock Pattern Steel
CPE	Custom Pattern Steel
GPE	Custom Pattern Glass Black and White
GPE2	Custom Pattern Glass 2-Color
GPE4	Custom Pattern Glass 4-Color
CF4	Color Frame
GH6	Glass Pattern Holder
GF4	Glass Color Filter
DF4	Dichroic Color Filter
GF4-702	UV Blocking Filter
CC18	Coiled Cord
2I	Iris

Patterns

For standard and custom patterns please see the pattern specification sheet.



[Click here to download pattern datasheet.](#)

Slingshot



The Slingshot allows you to cast the output of a Times Square Lighting ellipsoidal at a right angle. This allows flexibility in situations when the fixture is mounted horizontally but the desired aiming angle is vertical (or vice versa).

- **LENGTH:** 6-3/4"
- **WIDTH:** 4"
- **DEPTH:** 4"
- **RANGE OF MOTION:** 0° to 44°

MODEL	COLOR
SLMB	Black Slingshot
SLMW	White Slingshot

Mounting Options

AD1 Track Adapter for commercial grade 1 & 2 circuit track. 120V. For use with lightweight fixtures.

T1 Track Adapter for commercial grade 1 & 2 circuit track. 120V. For use with larger, heavier fixtures.

DT2 Track adapter for SpecTrack 2-Circuit data track. 120V.

HDT2 Track adapter for SpecTrack 2-Circuit data track. 277V.

TA2 / HTA2 (277V) Track adapter for G-Series specification grade 2-circuit track. 120V or 277V.

TA3 Track adapter for G-Series specification grade 3-circuit track. 120V.

CM4 Canopy Mount

US1 6½" x 1½" Unitnut Adapter

TB4 6¼" Portable wall mount/table base for floor, wall, and table use

TB8 8" x 8" Portable table base for floor and table use

MC Light duty pipe clamp for small fixtures. For pipes up to 15/16" O.D.

MN Medium duty pipe clamp for small to large fixtures. For pipes up to 2" O.D.

PC9M Heavy duty pipe clamp for large, heavy fixtures. For pipes up to 2" O.D.

Finish

B	Black
W	White
S	Silver
CC	Custom Color

Extension Wands

SP 12	12" Stem
SP 18	18" Stem
SP 24	24" Stem
SP X	Custom Length

* For notes on dimming, please [click here](#).