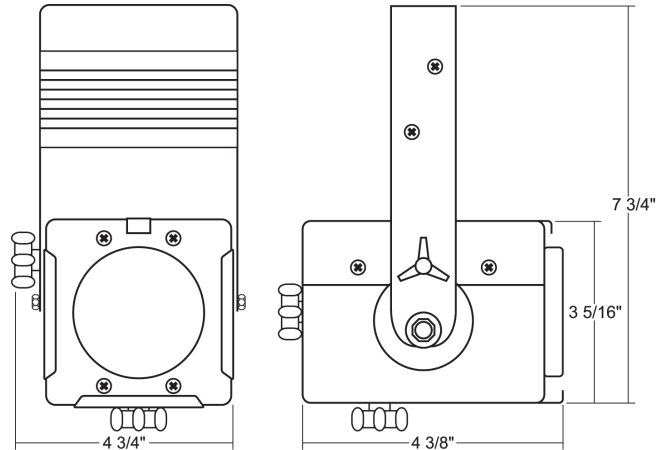




The MR16 cube light is a low voltage fixture ideal for highlighting artwork, exhibits, and retail displays. The unit accepts energy efficient MR16 lamps. The MR16 cube light features an electronic transformer and locking yoke with brake. Its external accessory holder accepts louvers, barndoors, hoods and filters. Comes in standard black, white and silver finishes. Custom colors are available by request and at an additional charge.

## FEATURES

- 120, 220 and 277-volt available
- Integral 12-volt dimmable transformer
- Accepts energy efficient MR16 lamps and LEDs
- Numerous mounting options and accessories
- Weight: 2 lbs



MODEL NUMBER	FINISH	MOUNTING	ACCESSORIES
MR16	B Black W White S Silver CC Custom Color	<p>AD1 Track Adapter. 1 or 2 Circuit track. 120V. TA1 Track Adapter. E-Series. 1 Circuit. 120V. TA2 Track Adapter. G-Series. 2 Circuit. 120V. TA3 Track Adapter. G-Series. 3 Circuit. 120V.</p> <hr/> <p>CM1 Low Profile Canopy for standard 4" Electrical Boxes.</p> <hr/> <p>US1 6 5/8" x 1 1/2" Unistrut Adapter.</p> <hr/> <p>TB4 6 1/4" Portable Wall Mount/Table Base Floor.</p> <hr/> <p>MC Light Duty Pipe Clamp. For pipes up to 15/16" O.D. MN Medium Duty Pipe Clamp. For pipes up to 2" O.D.</p>	<p>LV4 Louver XL4 Cross Baffle Louver BD4 Barndoor HD4 Hood XH4 Cross Baffle Hood CF4 Color Frame GF4 Glass Color Filter DF4 Dichroic Color Filter GF4-600 5°x50° Linear Lens GF4-601 Beam Softener GF4-673 50°x50° Spread Lens CC18 Coiled Cord SC-24 Safety Cable IP Integral Dimmer</p>

**EXAMPLE:** MR16 - B - TA2 - LV6

MODEL NUMBER	FINISH	MOUNTING	ACCESSORIES
MR16			