



Manufactured in the USA - IBEW



Electrical

- Integral electronic driver
- 100-277V, 50/60Hz
- Meets FCC 47 CFR Part 15/18 Requirements

Construction

- Steel & aluminum housing with black, white or silver finish
- Accepts up to 3 accessories
- Weight: 3 lbs.

Dimming

- Trailing edge (ELV): 120V / 277V
- Leading edge (Triac): 120V / 277V
- 0-10V: 120V / 277V
- IP (Integral Pot) dimming available

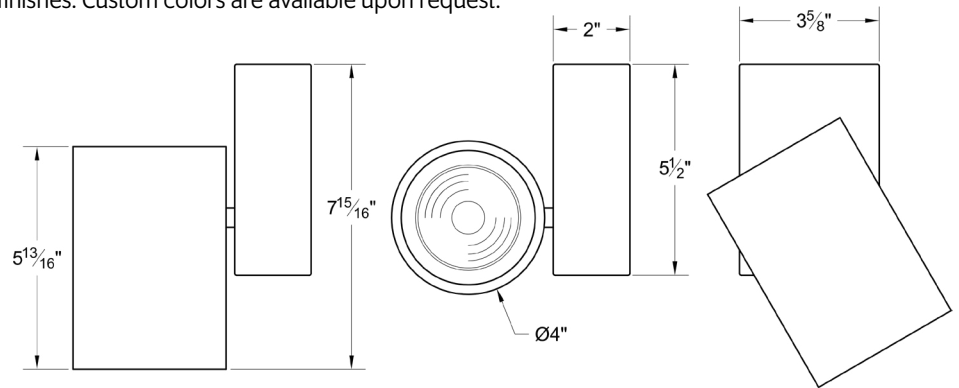
* Specification sheets are subject to change without notice.

CCR High Power

CREE LED

The CCR High Power emphasizes efficiency and economy and boasts the highest lumens per watt rating of any Times Square Lighting fixture to date. It is designed for a short to medium throw applications. The CCR can be fitted with up to three accessories, including barn doors, louvers and lenses. This versatile fixture is available with a wide variety of mounting and dimming options, allowing for a huge range of customization possibilities.

The CCR is available in standard black, white, or silver finishes. Custom colors are available upon request.



LED

- Cree XLamp LED array
- Color temp options: 2700K, 3000K, 3500K, 4000K, 5000K, 5700K, 6500K
- CRI: 80 standard or 92 optional
- Lumen maintenance: 90% of initial lumen output at 33,000 hours on LM-80 testing
- No UV or IR

Model	CRI	Total Wattage*	Delivered Lumens	Efficacy (Lm/W)
CCR42	92	40	4200	105
CCR46	92	45	4600	102
CCR48	80	40	4800	120
CCR52	92	55	5200	95
CCR53	80	45	5300	118
CCR60	80	55	6000	109

*Total wattage equals LED plus driver. Delivered lumen may vary depending on LED module, color temperature, optics, and accessories. Testing done with 3000K LED array.

Ordering Matrix

Model	Lumens	CRI	Color Temp	Finish	Voltage	Optics	Mounting	Dimming †	Accessories
CCR	42=4200*	80	27 = 2700K	B = Black W = White S = Silver CC = Custom Color	100 ^{††} 120 240 277	20 = 20° 40 = 40° 60 = 60°	See Mounting Options	TE = Trailing Edge*** LE = Leading Edge*** 010 = 0-10V ND = Non-Dimming IP = IP Integral Dimmer*** DMX = DMX Basic	See Accessory Options
	46=4600*		30 = 3000K						
	48=4800**	35 = 3500K							
	52=5200*	40 = 4000K							
	53=5300**	50 = 5000K							
	60=6000**	57 = 5700K**							
	62=6200*	65 = 6500K**							
	70=7000**								

Maximum ambient temperature: 35°C

Maximum operating angle: 45° from vertical

* 92 CRI Only ** 80 CRI Only

*** 277V TE, LE and IP Dimming available on 4800 & 6000 lumen, 80 CRI and 4200 & 5200 lumen, 92 CRI only. 120V LE and TE dimming not available on 6200 lumen, 92 CRI or 7000 lumen, 80 CRI.

† See "Notes on Dimming" on reverse

†† Non-dim or 0-10V dimming only

Example: CCR48-80-27-B-120-20-ADI-TE-LV3

CCR _____ - _____ - _____ - _____ - _____ - _____ - _____ - _____

Photometric Data

Distance	20° Spot Reflector Beam Spread	Footcandles					
		CCR42	CCR46	CCR48	CCR52	CCR53	CCR60
5'	1.7'	667	722	762	824	838	948
10'	3.5'	167	181	191	206	93	105
15'	5.3'	74	80	84	92	93	105
20'	7.1'	41	45	48	52	52	59
25'	8.8'	26	29	31	33	34	38
30'	10.6'	18	20	21	23	23	26

Distance	40° Medium Flood Reflector Beam Spread	Footcandles					
		CCR42	CCR46	CCR48	CCR52	CCR53	CCR60
5'	3.6'	341	373	389	422	430	482
10'	7.3'	85	93	47	106	108	121
15'	10.9'	37	41	43	47	49	53
20'	14.6'	21	23	24	26	27	30
25'	18.2'	14	15	16	17	17	19
30'	22.2'	9	10	11	12	12	13

Distance	60° Flood Reflector Beam Spread	Footcandles					
		CCR42	CCR46	CCR48	CCR52	CCR53	CCR60
5'	5.7'	199	218	229	246	251	285
10'	11.6'	50	55	57	62	63	71
15'	17.3'	22	24	25	27	28	31
20'	23.1'	12	13	14	15	16	18
25'	28.9'	8	9	9	10	10	11
30'	35.2'	5	6	6	6	7	8

Mounting Options

DT2 2-circuit track adapter for SpecTrack databus. 120V.

HDT2 Track adapter for SpecTrack 2-Circuit data track. 277V.

T1 Track Adapter for commercial grade 1 & 2 circuit track. 120V. For use with larger, heavier fixtures.

TA2 Track adapter for G-Series specification grade 2-circuit track. 120V.

HTA2 Track adapter for G-Series specification grade 2-circuit track. 277V.

TA3 Track adapter for G-Series specification grade 3-circuit track. 120V.

CM4 Canopy Mount

US1 6 $\frac{5}{8}$ " x 1 $\frac{1}{2}$ " Unitrut Adapter

TB8 8" x 8" Portable table base for floor and table use

MC Light duty pipe clamp for small fixtures. For pipes up to 1 $\frac{5}{16}$ " O.D.

MN Medium duty pipe clamp for small to large fixtures. For pipes up to 2" O.D.

PC9M Heavy duty pipe clamp for large, heavy fixtures. For pipes up to 2" O.D.

Accessories

BD20	Barndoor
LV22	Full Size Louver
XL22	Full Size X Baffle Louver
XH22	Full Size X Baffle Hood
HD22	Hood/Snoot

X00517	Accessory Holder
LV18*	Honeycomb Louver
DF22*	Glass Color Filter
OF22-9101*	Smoothing Frost Filter
GF22-600*	5x50 Linear Lens
GF22-601*	Solite Softner
GF22-673*	50 x 50 Spread Lens

CC18	Coil Cord Option
SC024	Safety Cable

* X00517 Required

Extension Wands

SP 12	12" Stem
SP 18	18" Stem
SP 24	24" Stem
SP X	Custom Length

* For notes on dimming, please [click here](#).