



# Tavolo 5° Luminaire

900 Lumen Max Track Light



5 Holt Drive,  
Stony Point, NY 10980  
845-947-3034  
info@tslight.com

The Tavolo features a high-CRI output and can accommodate numerous accessories. It allows the lighting designer to add glare reduction with louvers, barndoors, or snoots. The twist-lock TIR optic provides a tight 5° spot. **All dimming options go to 1% of total output.**

Manufactured in the USA - IBEW

PRODUCT LISTED  
BY A NATIONALLY  
RECOGNIZED  
TESTING  
LABORATORY



## Electrical

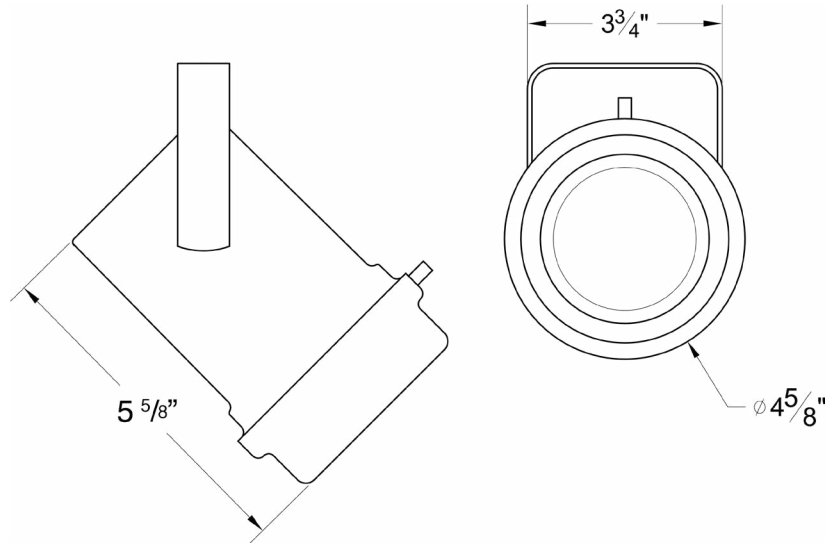
- Integral electronic driver
- 100-277V, 50/60Hz
- Meets FCC 47 CFR Part 15/18 Requirements

## Construction

- Steel & aluminum housing with black, white or silver finish
- Accepts up to 3 accessories
- Weight: 3 lbs.

## Dimming

- **1% dimming for LE, TE and 0-10V.**
- Trailing edge (ELV): 120V only
- Leading edge (Triac): 120V only
- 0-10V: 120 or 277 ControlTrac or Canopy Mount Only
- **Lutron:** Consult Factory for details.



## LED

- Cree XLamp LED array
- Color temp options: 2200K, 2700K, 3000K
- CRI: 92 CRI
- Lumen maintenance: 90% of initial lumen output at 50,000 hours on LM-80 testing
- No UV or IR

Model	CRI	Total Wattage	Delivered Lumens	Efficacy (Lm/W)
TV9	90	10	900	90

\* Total wattage equals LED plus driver. Delivered lumen may vary depending on LED module, color temperature, optics, and accessories. Testing done with 3000K LED array.

## Optics

- 5° Very narrow spot produced by TIR (total internal reflection) optic.

## Ordering Matrix

Model	Lumens	CRI	Color Temp	Finish	Voltage	Optics	Mounting	Dimming*	Accessories
TV	9 = 900	92	22 = 2200K 27 = 2700K 30 = 3000K	B = Black W = White S = Silver CC = Custom Color	120 240 277	5 = 5° Very Narrow Spot	See Mounting Options	TE = Trailing Edge LE = Leading Edge 010 = 0-10V ND = Non- Dimming	See Accessory Options

Maximum ambient temperature: 35°C  
Maximum operating angle: 45° from vertical

\* See "Notes on Dimming" on reverse

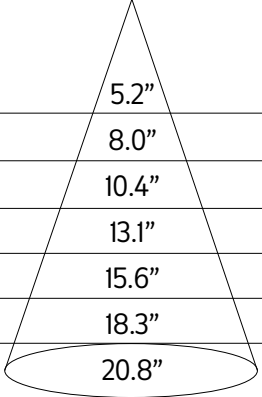
**Example:** TV9-9027-B-120-5-TA2-TE

TV - - - - -

\* Specification sheets are subject to change without notice.

## Photometrics

Distance	5° TIR Beam Spread	Footcandles TV9
5'	5.2"	1204
7.5'	8.0"	536
10'	10.4"	301
12.5'	13.1"	193
15'	15.6"	134
17.5'	18.3"	98
20'	20.8"	75



## Accessories

<b>LV6</b>	Louver
<b>XL6</b>	Cross Baffle Louver
<b>BD10</b>	Barndoor
<b>HD6</b>	Hood
<b>XH6</b>	Cross Baffle Hood
<b>SH6</b>	Sparkle Hood
<b>CF10</b>	Color Frame
<b>GF10</b>	Glass Color Filter
<b>DF10</b>	Dichroic Color Filter
<b>GF10-600</b>	5°x50° Linear Lens
<b>GF10-601</b>	Beam Softener
<b>GF10-673</b>	50°x50° Spread Lens
<b>GF10-702</b>	UV Blocking Filter
<b>CC18</b>	Coiled Cord
<b>SC-24</b>	Safety Cable
<b>IP</b>	Integral Dimmer
<b>WL</b>	Wrench Locking

## Extension Wands

<b>SP 12</b>	12" Stem
<b>SP 18</b>	18" Stem
<b>SP 24</b>	24" Stem
<b>SP X</b>	Custom Length

## Mounting Options

**DT2** 2-Circuit track adapter for SpecTrack Databus. 120V.

**ADI** Track Adapter for commercial grade 1 & 2 circuit track. 120V. For use with larger, heavier fixtures.

**TA1** Track adapter for E-Series specification grade track. 1 circuit. 120V.

**TA2** Track adapter for G-Series specification grade 2-circuit track. 120V.

**HTA2** Track adapter for G-Series specification grade 2-circuit track. 277V.

**STA1** 1-circuit track adapter for Data Bus.

**STA2** 2-circuit track adapter for Data Bus. Specification grade track. 120V.

**GAC** 3-Circuit track adapter for databus pulse track. 120V.

**TA3** Track adapter for G-Series specification grade 3-circuit track. 120V.

**CMI** Canopy Mount

**US1** 6 $\frac{5}{8}$ " x 1 $\frac{1}{2}$ " Unitrut Adapter

**TB4** 4" x 4" Portable table base for floor and table use

**MC** Light duty pipe clamp for small fixtures. For pipes up to 15/16" O.D.

**MN** Medium duty pipe clamp for small to large fixtures. For pipes up to 2" O.D.

**PC9M** Heavy duty pipe clamp for large, heavy fixtures. For pipes up to 2" O.D.

\* For notes on dimming, please [click here](#).