

Job Name: Fixture Type: Qty:

Wall Wash by Times Square Lighting

Series 702 90-250W PAR38



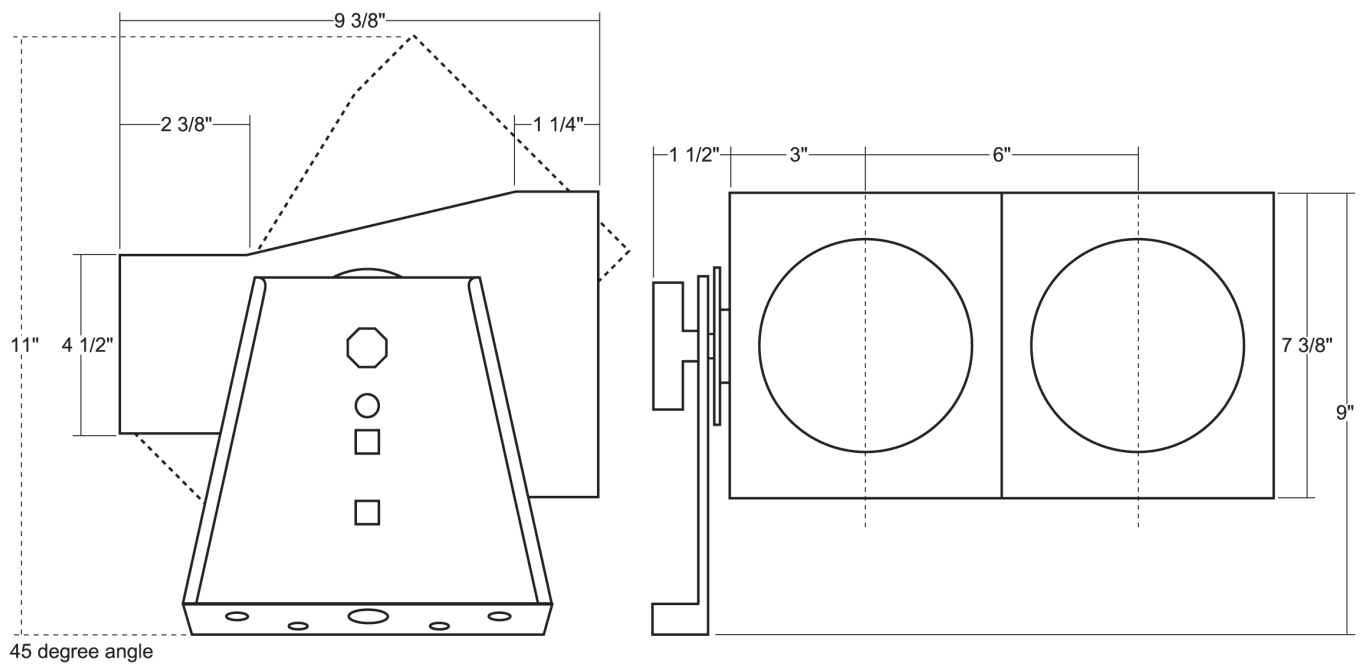
702-6 6', 12 lamp, 6 compartment (3 or 4-circuit)
 702-8 8', 16 lamp, 8 compartment (4-circuit)
 702-X custom length

The Series 702 borderlight is a multi-lamp, compartmented striplighting fixture designed for use as a general wash of light. Manufactured standard in portable lengths of 6 and 8 feet with 3 or 4-circuit operation, but custom lengths and circuitry are available. Sockets spaced on 6" centers. Ideal for use when toning, color separation or blending is required.

Features:

- Medium screw sockets on 6" centers
- Three 36" lead wires per circuit on portable units
- Spring-loaded color frame holder
- Compartmented for color separation
- Combination glass/gel sheet frame
- Hanging or floor mount hardware available
- Custom lengths and circuitry available

Manufactured in the USA - IBEW



Last updated 06/14/2007.

Series 702 90-250W PAR38

Specify: 702- - -

	MODEL NUMBER	FINISH	CONN./MOUNTING	ACCESSORIES (optional)
Example:	702-6	-B	-E2867 -PC9M	-702CF

Lamp Types

90PAR38/SP 90W; 2500Hrs; 10° Beam; 1600 CBCP

90PAR38/FL 90W; 2500Hrs; 25° Beam; 4100 CBCP

120PAR38/SP 120W; 3000Hrs; 12° Beam; 25500 CBCP

120PAR38/FL 120W; 3000Hrs; 30° Beam; 8000 CBCP

Q250PAR38/SP 250W; 6000Hrs; 10° Beam; 52000 CBCP

Q250PAR38/FL 250W; 6000Hrs; 30° Beam; 9000 CBCP

Accessories

See index for details.

702CF	Combo Color Frame
7074	Color Roundel - red, blue, green, yellow and clear. 150-watt lamp max.
GF702	Glass Color Filter
DF702	Dichroic Color Filter
GF702-600	5°x50° Linear Lens
GF702-601	Beam Softener
GF702-673	50°x50° Spread Lens
GF702-702	UV Blocking Filter
SC	Safety Cable

Male Connectors

E2867	Edison Plug
E876	Twist Lock
600G	Stage Pin

Finish

B	Black
W	White
S	Silver
CC	Custom Color

Female Connectors

E2228	Edison Plug
E896	Twist Lock
601G	Stage Pin

Mounting Options

See index for details.

PC9M

Heavy duty pipe clamp for large, heavy fixtures. For pipes 1/2" to 1 1/2" O.D.

SBB

Set of casted trunions.