



Manufactured in the USA - IBEW



Construction

- Aluminum housing with black, white, silver or custom color finish
- Locking yoke
- Weight: 2 lbs.

Electrical

- Integral electronic driver
- 120-277V 50/60 Hz
- Meets FCC 47 CFR Part 15/18 Requirements

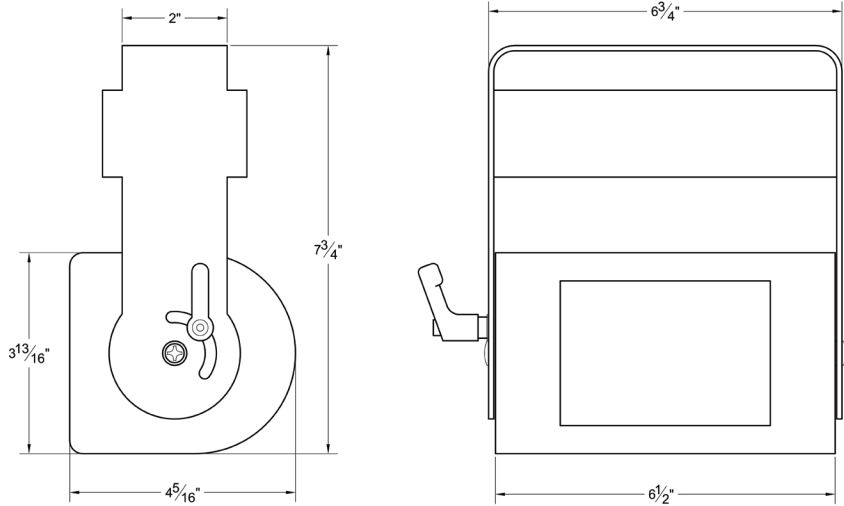
FL Series

Wall Wash / Flood



5 Holt Drive,
Stony Point, NY 10980
845-947-3034
info@tslight.com

The FL Series is designed around the CREE™ LED module. This module produces an even field of illumination for the most demanding applications. The FL Series is ideal for museum and retail lighting where a low wattage, high output LED fixture would be required, for wall wash or flood light applications. The FL Series is available in standard black, white, or silver finishes. Custom colors are available upon request.



Features

Model	CRI	Total Wattage	Lumens	Efficacy (Lm/W)
FL9	80 / 92	6 / 7	900 / 900	150 / 129
FL12	80 / 92	8 / 9	1200 / 1200	150 / 133
FL15	80 / 92	10 / 12	1500 / 1500	150 / 125
FL18	80 / 92	12 / 14.5	1800 / 1800	150 / 124
FL20	80 / 92	13 / 16	2000 / 2000	154 / 125
FL21	92	17.5	2100	120
FL23	80	17.5	2300	131
FL25	80 / 92	18 / 24	2500 / 2500	139 / 104
FL27	92	25	2700	108
FL30	80 / 92	24 / 30	3000 / 3000	125 / 100
FL35	80	32	3500	109

* Total wattage equals LED plus driver. Delivered lumen may vary depending on LED module, color temperature, optics, and accessories. Testing done with 3000K LED array.

Ordering Matrix

Model	Lumens	CRI	Color Temp	Finish	Voltage	Mounting	Dimming †	Accessories
FL	9 = 900 / 900 12 = 1200 / 1200 15 = 1500 / 1500 18 = 1800 / 1800 20 = 2000 / 2000 21 = 2100 23 = 2300 25 = 2500 / 2500 27 = 2700 / 2700 30 = 3000 / 3000 35 = 3500	80 92	27 = 2700K 30 = 3000K 35 = 3500K 40 = 4000K 57 = 5700K	B = Black W = White S = Silver CC = Custom Color	100 [¶] 120 240 277	See Mounting Options	TE = Trailing Edge* LE = Leading Edge** 010 = 0-10V ND = Non-Dimming	See Accessory Options

Maximum ambient temperature: 35°C

* 277V TE Dimming available on 1800, 2300 & 3000 lumen, 80 CRI and 1500, 2100 and 2700 lumen, 92 CRI only.

** 120V Only

† See "Notes on Dimming" on reverse

‡ Non-Dim or 0-10V dimming only

Example: FL30-80-27-B-120-TI-TE

FL _ _ _ _ _

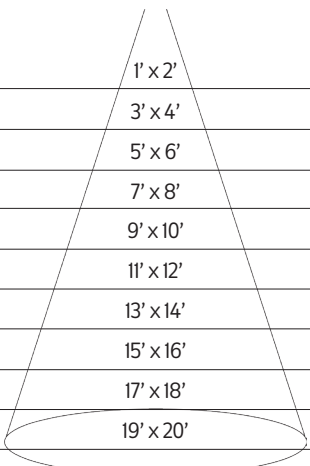
* Specification sheets are subject to change without notice.

Optics

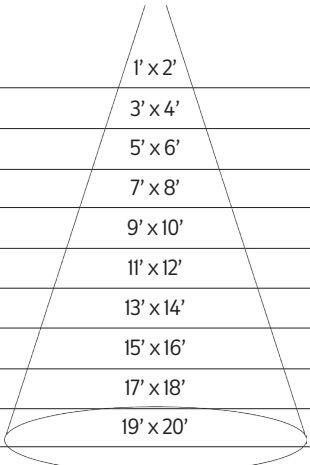
CBCP:	FL9	FL12	FL15	FL18	FL20	FL21	FL23	FL25	FL27	FL30	FL35
26.5° x 45°	600	800	1000	1200	1330	1400	1530	1670	1800	2000	2330

Photometric Data

Distance	25.5° x 45° Beam Spread	Footcandles					
		FL9	FL12	FL15	FL18	FL20	FL21
2'	1' x 2'	150	200	250	300	333	350
4'	3' x 4'	38	50	63	75	83	88
6'	5' x 6'	17	22	28	33	37	39
8'	7' x 8'	9	13	16	19	21	22
10'	9' x 10'	6	8	10	12	13	14
12'	11' x 12'	-	6	7	8	9	10
14'	13' x 14'	-	-	5	6	7	7
16'	15' x 16'	-	-	-	5	5	5
18'	17' x 18'	-	-	-	-	-	-
20'	19' x 20'	-	-	-	-	-	-



Distance	25.5° x 45° Beam Spread	Footcandles				
		FL23	FL25	FL27	FL30	FL35
2'	1' x 2'	383	418	450	500	583
4'	3' x 4'	96	104	113	125	146
6'	5' x 6'	42	46	50	55	65
8'	7' x 8'	24	26	28	31	36
10'	9' x 10'	15	17	18	20	23
12'	11' x 12'	11	12	13	14	16
14'	13' x 14'	8	9	9	10	12
16'	15' x 16'	6	7	7	8	9
18'	17' x 18'	5	5	6	6	7
20'	19' x 20'	-	-	5	5	6



Notes on Dimming:

TE This means the fixture will work on *MOST* quality Trailing Edge dimmers. These dimmer types are also known as Reverse Phase or Electronic Low Voltage (ELV), and are available as wall mount and rack mount modules.

LE This means the fixture will work on *MOST* quality Leading Edge dimmers. These dimmer types are also known as Forward Phase, Incandescent, Halogen or Triac, and are available as wall mount and rack mount modules.

0-10 This means the fixture will work on *MOST* quality 0-10V or 1-10V dimmers. These dimmer types are also known as Fluorescent, and are available as wall mount and rack mount modules.

IP This means the fixture has a dimmer *BUILT IN* to the fixture itself, and will dim to about 50%. It has an integral potentiometer located on the bottom of the driver housing. This fixture *WILL NOT* function with *EXTERNAL* wall or rack dimmers.

It is impractical to test every fixture type with every dimmer type, and some combinations work better than others, while some not at all. It is advisable to pretest a particular fixture with an intended dimmer beforehand to insure that the combination will work as expected. Some dimmers will allow for full-range dimming, while others will only dim to 50%. Some dimmers will work well within a certain range, and perhaps flicker or shut off at the lowest settings, rendering that portion of the range unusable. Most if not all dimmers have a maximum LED load that can be applied, often as little as 10% of its nominally rated value. Dimming LEDs can actually extend their life expectancy, and will not affect the color temperature or CRI.

Mounting Options

T1 Track Adapter for commercial grade 1 & 2 circuit track. 120V. For use with larger, heavier fixtures.

TA1 Track adapter for E-Series specification grade track. 1 circuit. 120V.

TA2 Track adapter for G-Series specification grade 2-circuit track. 120V.

HTA2 Track adapter for G-Series specification grade 2-circuit track. 277V.

ST2 2 circuit track adapter for Data Bus. Specification grade track. 120V.

TA3 Track adapter for G-Series specification grade 3-circuit track. 120V.

CM4 Canopy Mount

US1 6 $\frac{5}{8}$ " x 1 $\frac{1}{2}$ " Unitrut Adapter

TB8 8" x 8" Portable table base for floor and table use

MC Light duty pipe clamp for small fixtures. For pipes up to 1 5/16" O.D.

MN Medium duty pipe clamp for small to large fixtures. For pipes up to 2" O.D.

PC9M Heavy duty pipe clamp for large, heavy fixtures. For pipes up to 2" O.D.

Accessories

CC18	Coiled Cord
SC-24	Safety Cable

*Required accessory when using glass or dichroic filters

Extension Wands

SP 12	12" Stem
SP 18	18" Stem
SP 24	24" Stem
SP X	Custom Length