



# A39T6H 39W T6 A70T6H 70WT6



5 Holt Drive,  
Stony Point, NY 10980  
845-947-3034  
info@tslight.com

The A39T6H and the A70T6H are ideal for commercial and retail wall wash applications. These units utilize a high performance T6 metal halide lamp with a textured reflector in 39 or 70-watts.

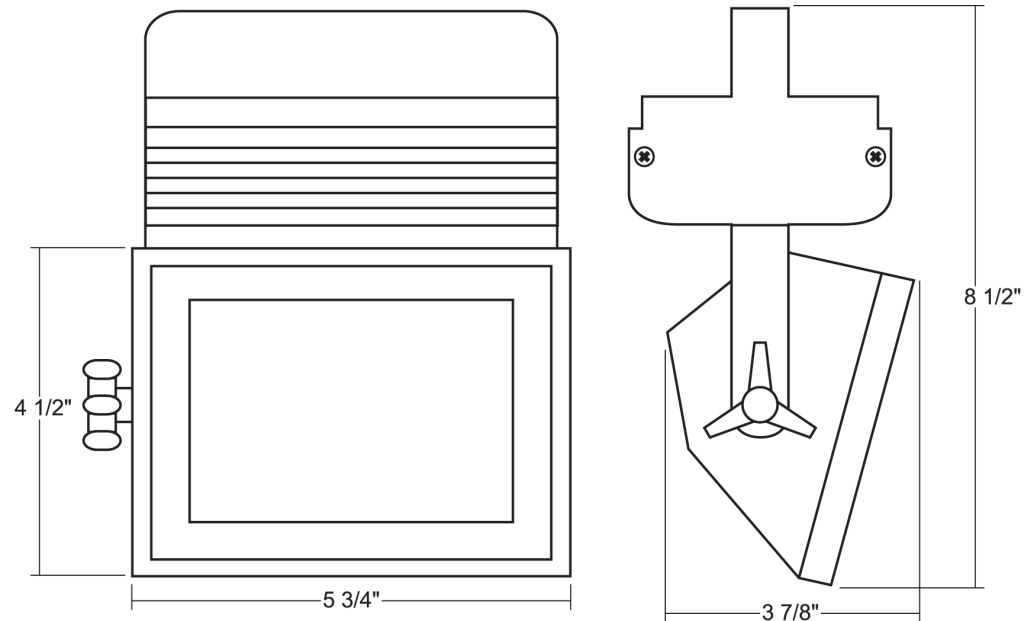
The A39T6H and the A70T6H feature a hinged front for easy re-lamping and tool free accessory changes. Electronic horizontal ballast and adjustable head. Available in standard black, white and silver finishes. Custom colors are available by request and at an additional charge.

Manufactured in the USA - IBEW



## Features

- 120 and 277-volt available
- A39T6H accepts 39-watt T6 metal halide lamps
- A70T6H accepts 70-watt T6 metal halide lamps
- Energy efficient
- Long lamp life
- Numerous mounting options and accessories
- Weight: 3.5 lbs



## Lamp Types

**CDM35/T6/830**  
**CDM70/T6/830**

39W Clear; 12000Hrs; 3400 Lumens; 81 CRI; 3000°K Color Temp  
70W Clear; 12000Hrs; 6200 Lumens; 81 CRI; 3000°K Color Temp

## Osram Powerball

**MC39T6/U/G12/830 PB**  
**MC70T6/U/G12/830 PB**

35W Clear; 8000Hrs; 3400 Lumens; 85 CRI; 3000°K Color Temp  
70W Clear; 8000Hrs; 6700 Lumens; 85 CRI; 3000°K Color Temp

## Ordering Matrix

Model	Finish	Mounting	Accessories
A39T6H A70T6H	B = Black W = White S = Silver CC = Custom Color	See Mounting Options	See Accessory Options

**Example:** A39T6H-B-TI-LV6

A39T6H - \_\_\_\_\_ | A70T6H - \_\_\_\_\_

# Photometrics to follow.

**AD1**

Track adapter for commercial grade 1 & 2 circuit track. 120V. For use with Lightweight fixtures.

**T1**

Track adapter for commercial grade 1 & 2 circuit track. 120V. For use with larger, heavier fixtures.

**TA2 / HTA2 (277)**

Track adapter for G-Series specification grade 2-circuit track. 120V or 277V.

**TA3**

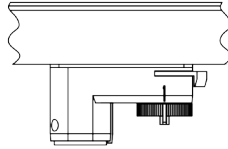
Track adapter for G-Series specification grade 3-circuit track. 120V.

**TA1 / TE2 (2 circuit)**

Track adapter for E-Series specification grade track. 1 or 2 circuit. 120V.

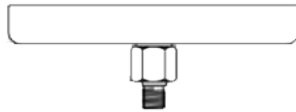
**ST2**

2 circuit track adapter for Data Bus. Specification grade track. 120V.



**CM4**

Canopy mount.



**US1**

6 5/8" x 1 1/2" Unistrut adapter.

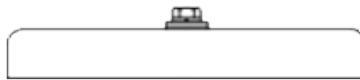


**TB4**

6 1/4" Portable wall mount/table base floor, wall or table use.

**TB8**

8" x 8" Portable table base for floor or table use.



**MC**

Light duty pipe clamp for small fixtures. For pipes up to 15/16" O.D.

**MN**

Medium duty pipe clamp for small to large fixtures. For pipes up to 2" O.D.

**PC9M**

Heavy duty pipe clamp for large, heavy fixtures. For pipes up to 2" O.D.



\* AC11 accessory cartridge is required when adding louvers, barndoors or additional glass lenses.

**AC11**

Accessory Cartridge

**LV11**

Louver

**GF11**

Glass Color Filter

**GF11-600**

5°x50° Linear Lens

**GF11-601**

Beam Softener

**GF11-673**

50°x°50 Spread Lens

**GF11-702**

UV Blocking Filter

**CC18**

Coiled Cord

**SC-24**

Safety Cable

## Extension Wands

**SP 12**

12" Stem

**SP 18**

18" Stem

**SP 24**

24" Stem

**SP X**

Custom Length

## Finish

**B**

Black

**W**

White

**S**

Silver

**CC**

Custom Color

