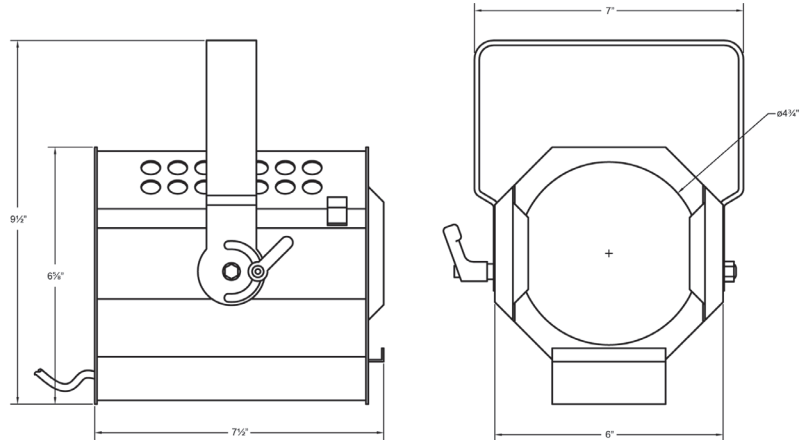




The H38 Spotlight is a specification grade medium and long throw unit designed for PAR38 medium screw base lamps. Its theatrical styling and architectural function makes it the perfect unit for spaces such as museums, galleries, exhibits, retail and themed environments where a visually interesting, high intensity spotlight is required.

## FEATURES

- Designed for PAR38 lamps and LEDs
- Sturdy steel construction
- Ratchet handle locking for vertical focusing
- Accessory holder
- Weight: 3.5 lbs



MODEL NUMBER	FINISH	MOUNTING	ACCESSORIES
H38	B Black W White S Silver CC Custom Color	T1 Track Adapter. 1 or 2 Circuit track. 120V. TA1 Track Adapter. E-Series. 1 Circuit. 120V. TA2 Track Adapter. G-Series. 2 Circuit. 120V. TA3 Track Adapter. G-Series. 3 Circuit. 120V.  CM4 Canopy Mount.  US1 6 5/8" x 1 1/2" Unistrut Adapter.  TB8 8" x 8" Portable Table Base for Floor Use.  MN Medium Duty Pipe Clamp. For pipes up to 2" O.D. PC9M Heavy Duty Pipe Clamp. For pipes up to 2" O.D.	LV17 Louver BD17 Barndoor CF17 Color Frame GF17 Glass Color Filter DF17 Dichroic Color Filter GF17-600 5°x50° Linear Lens GF17-601 Beam Softener GF17-673 50°x50° Spread Lens GF17-702 UV Blocking Filter CC18 Coiled Cord SC Safety Cable IP Integral Dimmer

**EXAMPLE:** X38 - B - TA2 - GF8

MODEL NUMBER	FINISH	MOUNTING	ACCESSORIES
H38			