



# LXT13 13W

1300 Lumen LED



5 Holt Drive,  
Stony Point, NY 10980  
845-947-3034  
info@tslight.com

The LXT13 is designed around the Xicato™ LED remote phosphor module. This module produces an even field of illumination for the most demanding applications. The LXT13 is ideal for museum and retail lighting where a low wattage, high output LED fixture would be required. Xicato™ LEDs exceed ANSI specifications by maintaining tight color consistency over the life of the LED module.

The LXT13 is available in standard black, white, or silver finishes. Custom colors are available upon request.

Manufactured in the USA - IBEW



## XICATO

### Construction

- Aluminum housing with black, white or silver finish
- Accepts accessories
- Weight: 3 lbs.

### Electrical

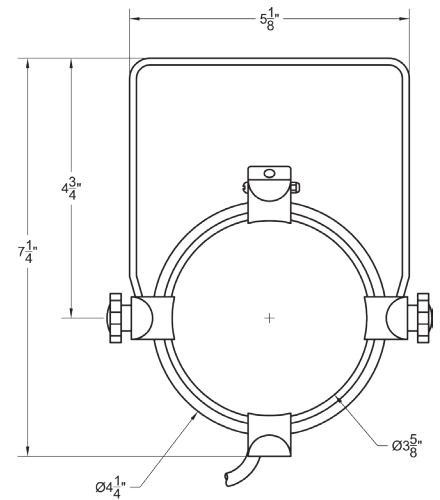
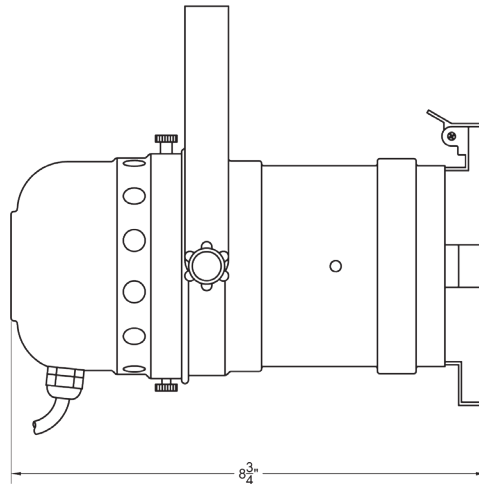
- Integral electronic driver
- 100-277V, 50/60Hz
- Meets FCC 47 CFR Part 15/18 Requirements

### Optics

- 20°, 40°, and 60° Field-changable reflectors
- CBCP:
  - 4950 @ 20°
  - 2750 @ 40°
  - 1495 @ 60°

### Dimming

- Trailing edge (ELV): 120V only
- Leading edge (Triac): 120V only
- 0-10V: 120-277V with surface mounting. For track applications, use E-series 2-circuit with data bus



### LED

- Xicato™ cold remote phosphor LED module
- Color temp options: 2700K, 3000K, 3500K, 4000K
- CRI: 83 standard or 98 optional (R9=96)
- Lumen maintenance: 86% of initial lumen output at 50,000 hours on LM-80 testing
- SDCM: 1 x 2 MacAdam Elipse. 50 kelvin tolerance
- No UV or IR

| Module | Total Wattage | Delivered Lumen | Efficacy (Lm/W) | CRI |
|--------|---------------|-----------------|-----------------|-----|
| 83     | 13            | 1235            | 95              | 83  |
| 98     | 17            | 1235            | 67              | 98  |

\*Total wattage equals LED plus driver. Delivered lumen may vary depending on LED module, color temperature, optics, and accessories.

### Ordering Matrix

| Model | LED Module | Color Temp   | Finish  | Voltage                  | Optics                           | Mounting             | Dimming*   | Accessories           |
|-------|------------|--|---|--------------------------|----------------------------------|----------------------|--|-----------------------|
| LXT13 | 83<br>98   | 27 = 2700K<br>30 = 3000K<br>35 = 3500K<br>40 = 4000K | B = Black<br>W = White<br>S = Silver<br>CC = Custom Color | 100<br>120<br>240<br>277 | 20 = 20°<br>40 = 40°<br>60 = 60° | See Mounting Options | TE = Trailing Edge<br>LE = Leading Edge<br>010 = 0-10V<br>ND = Non-Dimming | See Accessory Options |

Maximum ambient temperature: 35°C  
Maximum operating angle: 45° from vertical

\* See "Notes on Dimming" on reverse

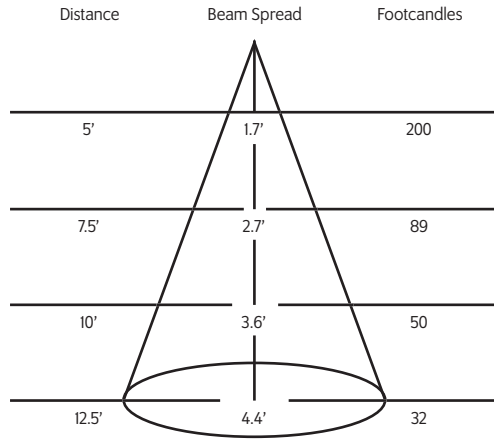
**Example:** LXT13-98-35-B-100-40-CM4-BD43-SP12

LXT13- \_\_\_\_\_ - \_\_\_\_\_ - \_\_\_\_\_ - \_\_\_\_\_ - \_\_\_\_\_ - \_\_\_\_\_ - \_\_\_\_\_

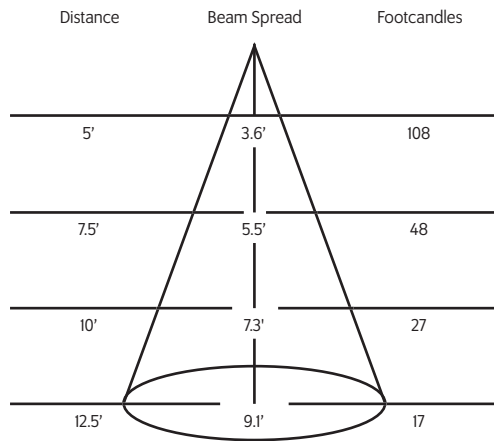
\* Specification sheets are subject to change without notice.

## Photometric Data 3000° K 83CRI

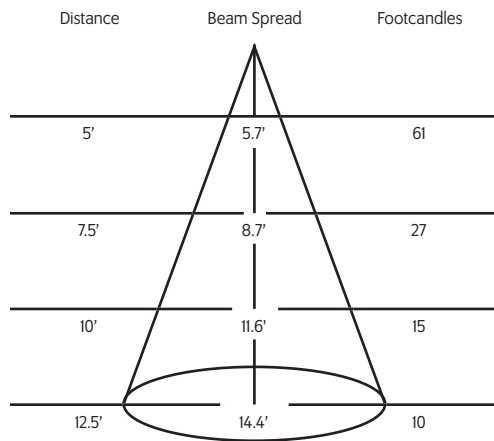
### 20° Spot Reflector



### 40° Medium Flood Reflector



### 60° Flood Reflector



## Mounting Options

**DT2** 2-circuit track adapter for SpecTrack databus. 120V.

**T1** Track Adapter for commercial grade 1 & 2 circuit track. 120V. For use with larger, heavier fixtures.

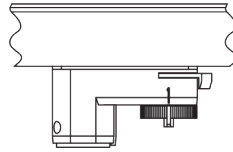
**TA1** Track adapter for E-Series specification grade track. 1 circuit. 120V.

**TA2** Track adapter for G-Series specification grade 2-circuit track. 120V.

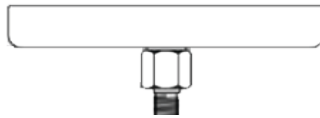
**HTA2** Track adapter for G-Series specification grade 2-circuit track. 277V.

**ST2** 2 circuit track adapter for Data Bus. Specification grade track. 120V.

**TA3** Track adapter for G-Series specification grade 3-circuit track. 120V.



**CM4** Canopy Mount



**US1** 6 5/8" x 1 1/2" Unitnut Adapter

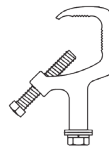


**TB4** 6 1/4" Portable wall mount/table base floor, wall or table use.



**MC** Light duty pipe clamp for small fixtures. For pipes up to 1 5/16" O.D.

**MN** Medium duty pipe clamp for small to large fixtures. For pipes up to 2" O.D.



## Accessories

|                  |                       |
|------------------|-----------------------|
| <b>X00517*</b>   | Glass/Dichroic Holder |
| <b>BD43</b>      | Barndoor              |
| <b>LV18</b>      | Louwer                |
| <b>GF22</b>      | Glass Color Filter    |
| <b>DF22</b>      | Dichroic Color Filter |
| <b>OF22-9101</b> | Lite Diffusion        |
| <b>GF22-600</b>  | 5°x50° Linear Lens    |
| <b>GF22-601</b>  | Beam Softener         |
| <b>GF22-673</b>  | 50°x50° Spread Lens   |
| <b>CCI8</b>      | Coiled Cord           |
| <b>SC-24</b>     | Safety Cable          |

\* Required accessory when using glass or dichroic filters

## Extension Wands

|             |               |
|-------------|---------------|
| <b>SP12</b> | 12" Stem      |
| <b>SP18</b> | 18" Stem      |
| <b>SP24</b> | 24" Stem      |
| <b>SPX</b>  | Custom Length |

### Notes on Dimming:

- TE** This means the fixture will work on *MOST* quality Trailing Edge dimmers. These dimmer types are also known as Reverse Phase or Electronic Low Voltage (ELV), and are available as wall mount and rack mount modules.
- LE** This means the fixture will work on *MOST* quality Leading Edge dimmers. These dimmer types are also known as Forward Phase, Incandescent, Halogen or Triac, and are available as wall mount and rack mount modules.
- O-10** This means the fixture will work on *MOST* quality 0-10V or 1-10V dimmers. These dimmer types are also known as Fluorescent, and are available as wall mount and rack mount modules.
- IP** This means the fixture has a dimmer *BUILT IN* to the fixture itself, and will dim to about 50%. It has an integral potentiometer located on the bottom of the driver housing. This fixture *WILL NOT* function with *EXTERNAL* wall or rack dimmers.

It is impractical to test every fixture type with every dimmer type, and some combinations work better than others, while some not at all. It is advisable to pretest a particular fixture with an intended dimmer beforehand to insure that the combination will work as expected. Some dimmers will allow for full-range dimming, while others will only dim to 50%. Some dimmers will work well within a certain range, and perhaps flicker or shut off at the lowest settings, rendering that portion of the range unusable. Most if not all dimmers have a maximum LED load that can be applied, often as little as 10% of its nominally rated value. Dimming LEDs can actually extend their life expectancy, and will not affect the color temperature or CRI.