



# MH30

39W PAR30



5 Holt Drive,  
Stony Point, NY 10980  
845-947-3034  
info@tslight.com

The MH30 Spotlight is a specification grade medium and long throw unit designed for medium screw base metal halide lamps. Its theatrical styling and architectural function makes it the perfect unit for spaces such as museums, galleries, exhibits, retail and themed environments where a visually interesting, high intensity spotlight is required. The MH30 accepts 39-watt PAR30 metal halide lamps in all popular beam patterns.

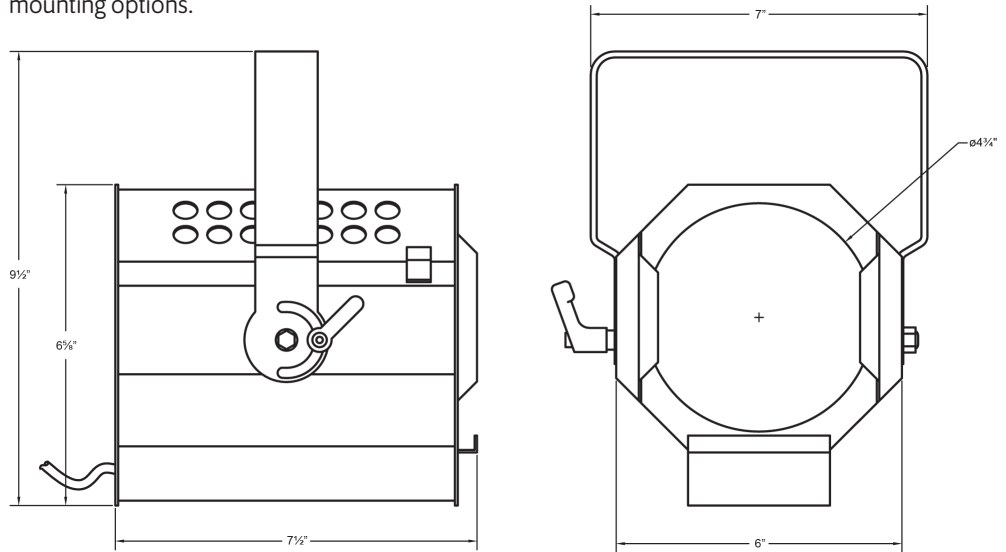
Constructed of heavy duty sheet steel, the MH30 includes an accessory holder with safety latch, that holds a complete range of accessories. Units are available in a variety of finishes and mounting options.

Manufactured in the USA - IBEW



## Features

- Designed for PAR30 medium screw base metal halide lamps up to 39 watts
- Sturdy steel construction
- Ratchet handle locking for vertical focusing
- Accessory holder
- Numerous mounting options



## Lamp Types

**CDM35/PAR30L/M/SP**

39W; 10000Hrs; 10° Beam; 44000 CBCP; 2000 Lumens; 81 CRI; 3000°K Color Temp

**CDM35/PAR30L/M/FL**

39W; 10000Hrs; 30° Beam; 7400 CBCP; 2200 Lumens; 81 CRI; 3000°K Color Temp

## Ordering Matrix

Model	Finish	Mounting	Accessories
MH20	B = Black W = White S = Silver CC = Custom Color	See Mounting Options	See Accessory Options

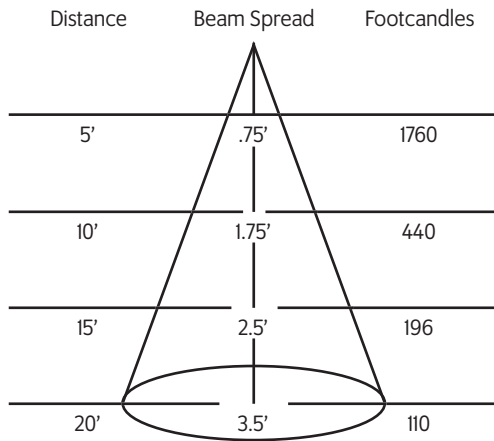
Example: MH20-B-T1-LV17

MH20-\_\_\_\_\_ - \_\_\_\_\_ - \_\_\_\_\_

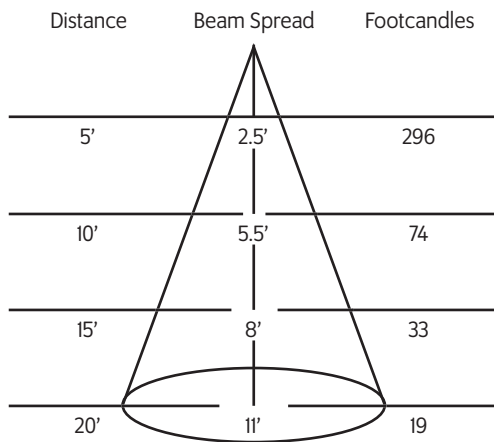
\* Specification sheets are subject to change without notice.

## Photometric Data

### CDM35/PAR30L/M/SP 10°



### CDM35/PAR30L/M/FL 30°



## Mounting Options

### AD1

Track adapter for commercial grade 1 & 2 circuit track. 120V. For use with Lightweight fixtures.

### T1

Track adapter for commercial grade 1 & 2 circuit track. 120V. For use with larger, heavier fixtures.

### TA2 / HTA2 (277)

Track adapter for G-Series specification grade 2-circuit track. 120V or 277V.

### TA3

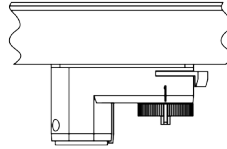
Track adapter for G-Series specification grade 3-circuit track. 120V.

### TA1 / TE2 (2 circuit)

Track adapter for E-Series specification grade track. 1 or 2 circuit. 120V.

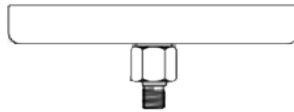
### ST2

2 circuit track adapter for Data Bus. Specification grade track. 120V.



### CM4

Canopy mount.



### US1

6 5/8" x 11/2" Unistrut adapter.



### TB4

6 1/4" Portable wall mount/table base floor, wall or table use.

### TB8

8" x 8" Portable table base for floor or table use.



### MC

Light duty pipe clamp for small fixtures. For pipes up to 15/16" O.D.

### MN

Medium duty pipe clamp for small to large fixtures. For pipes up to 2" O.D.

### PC9M

Heavy duty pipe clamp for large, heavy fixtures. For pipes up to 2" O.D.



## Accessories

### LV17

Louwer

### BD17

Barndoor

### CF17

Color Frame

### GF17

Glass Color Filter

### DF17

Dichroic Color Filter

### GF17-600

5°x50° Linear Lens

### GF17-601

Beam Softener

### GF17-673

50°x50° Spread Lens

### GF17-702

UV Blocking Filter

### CC18

Coiled Cord

### SC

Safety Cable

## Extension Wands

### SP 12

12" Stem

### SP 18

18" Stem

### SP 24

24" Stem

### SP X

Custom Length

## Finish

### B

Black

### W

White

### S

Silver

### CC

Custom Color

