

Installation Instructions for DMX Fixtures on Canopies - SAVE THESE INSTRUCTIONS

**OBSERVE ALL SAFETY AND OPERATING INSTRUCTIONS BELOW:**

**Caution!** Read and understand these entire instructions before proceeding!

**Warning!** All electrical installations must be done according to local codes or the National Electric Code (NEC), whichever applies.

**Warning! Risk Of Fire!** MOST DWELLINGS BUILT BEFORE 1985 HAVE SUPPLY WIRE RATED FOR 60°C! This fixture requires supply wires rated for 75°C minimum. INSTALLATION MUST BE PERFORMED BY QUALIFIED PERSONNEL ONLY!

**Warning!** Disconnect power at circuit breaker or fuse box BEFORE installing the fixture.

**Warning!** Do not connect this luminaire to an electrical system that does not provide a means for equipment grounding. INSTALLING A LUMINAIRE INTO AN ELECTRICAL SYSTEM NOT PROVIDED WITH A GROUNDING MEANS COULD ALLOW ALL METAL PARTS OF THE LUMINAIRE TO CARRY ELECTRICAL CURRENT IF ANY OF THE WIRES, WIRE CONNECTIONS, SPLICES OR COMPONENTS BECOME BROKEN, CUT, LOOSE, OR OTHERWISE DAMAGED DURING INSTALLATION OR NORMAL USE. THIS CONDITION COULD LEAD TO ELECTRICAL SHOCK AND COULD CAUSE SERIOUS INJURY OR DEATH! THE SAME WARNING APPLIES FOR AN IMPROPERLY GROUNDED LUMINAIRE!

**Warning!** Do not suspend this luminaire by the electrical feed wires. Mount to an electrical outlet box according to these instructions and the materials included. Insure that the box is properly attached to the building structure using a means acceptable to local codes or the National Electric Code (NEC). FAILURE TO PROPERLY INSTALL THE LUMINAIRE MAY RESULT IN THE LUMINAIRE FALLING, THEREBY CAUSING PERSONAL INJURY, AS WELL AS THE DANGER OF ELECTRICAL SHOCK OR FIRE!

**Warning!** Do not use this fixture if there are any damaged wires, cords or other parts.

**Caution!** The LED is a factory replacement item and there are NO user serviceable parts inside the control/power portion of the fixture.

**Caution!** This unit is to be installed in DRY locations only. Always store indoors.

**Caution!** Do not use this fixture in any way for which it was not intended.

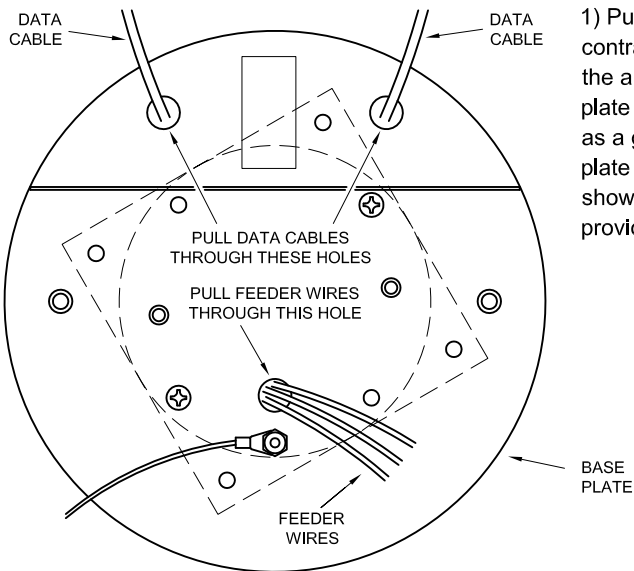
**Caution!** Keep fixture vent slots free from dust and debris.

**Caution!** Maximum ambient operating temperature is 40°C (104°F).

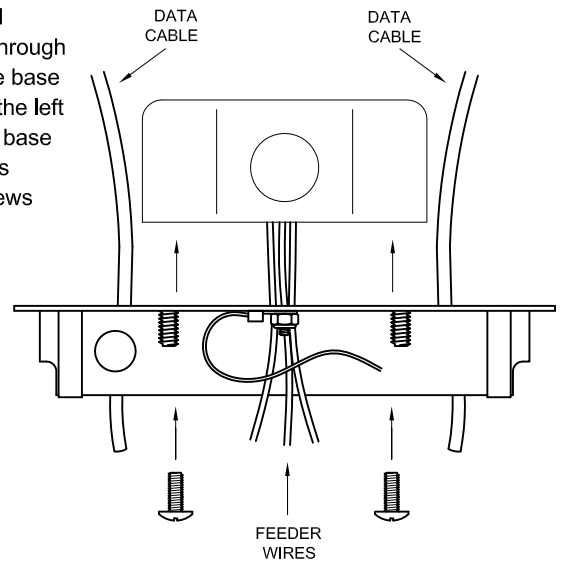
Notes regarding externally controlled fixtures: Make certain that the control wiring for the fixtures is in accordance with DMX512-A specifications. Control wiring should be limited to no more than 1000 ft. (approx. 300 meters) in length and connected in a "daisy-chain" fashion. These fixtures use RDM, so 20 fixtures maximum may be placed on a single data run (not 32 as with DMX). The last fixture and ONLY the last fixture must have a 120 ohm terminating resistance applied to the control signal. Splitters must be used if more than 32 fixtures (20 when using RDM) are to be connected to the same DMX signal. It may be beneficial to use specialists, ie, DMX Integrators when designing complex layouts.

**INSTALLATION AND WIRING INSTRUCTIONS FOR CANOPY-WITH-TERMINAL-BLOCK MOUNTING:**

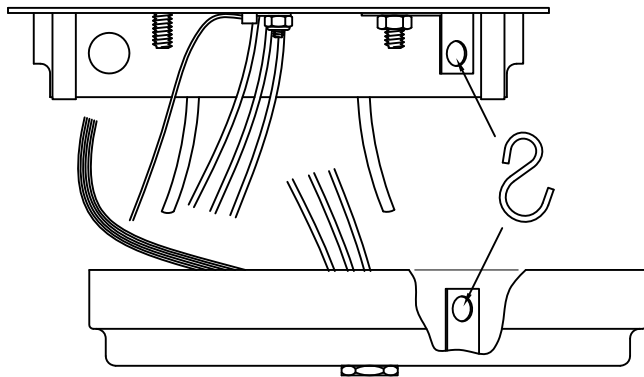
**Warning!** Read and understand these entire instructions, including the SAFETY AND OPERATING INSTRUCTIONS above before proceeding! This canopy has an integral voltage barrier to separate line voltage and low voltage connections. This canopy will accommodate standard 4"X4" square and 4" round and octagon boxes. The contractor's low voltage data cables should be run as close to the outside of the box as possible. All wires, including CONTROL wires, supplied with this fixture have insulation rated for 300V minimum and are permitted to occupy the same enclosure per NEC 300.3 (C)(1).



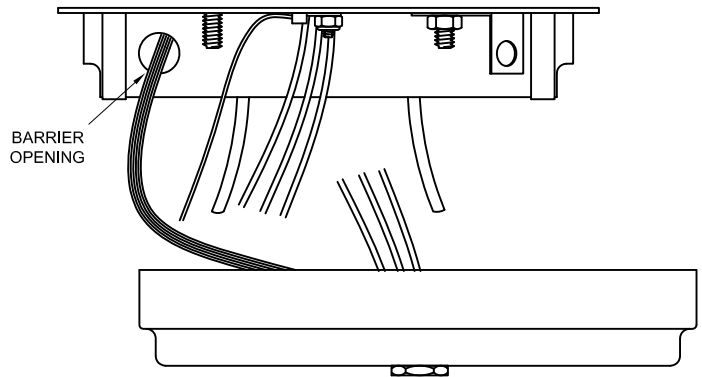
1) Pull the feeder wires and contractor's data cable(s) through the appropriate holes in the base plate using the diagram to the left as a guide, then attach the base plate to the electrical box as shown, right, using the screws provided with the box.



NOTE: Although not necessary, temporarily connecting the canopy to the base plate with the provided hook at this point will make it easier to accomplish steps 2 thru 4.



2) Slip the fixture control wires (or fixture data cable) through the barrier opening as shown.



3) Using the terminal block(s) provided, make up the data connections according to the appropriate TABLE below. If the fixture control wiring consists of individual wires, use the TABLE 1. If the fixture control wiring consists of a single cable with twisted pairs, use TABLE 2. CAUTION: If the contractor's data cable consists of shielded twisted pairs, make certain that NO portion of the shield or shield wire (aka drain wire) is bonded to or incidentally in contact with GROUND, or anything electrically connected to GROUND! CAUTION: Unused fixture control wires should be individually capped off with electrical tape or the equivalent.

TABLE 1: INDIVIDUAL FIXTURE CONTROL WIRES

WHITE/ORANGE:	DATA + IN & OUT	+		TERMINAL BLOCK
ORANGE:	DATA - IN & OUT	-		
BROWN:	COMMON	C		

TABLE 2: FIXTURE DATA CABLE WITH 2 TWISTED PAIRS

WHITE/ORANGE:	DATA + IN		TERMINAL BLOCK
ORANGE:	DATA - IN		
WHITE/BROWN:	COMMON		
WHITE/GREEN:	DATA + OUT		TERMINAL BLOCK
GREEN:	DATA - OUT		
BROWN:	COMMON		

4) Make up the electrical connections according to the list below:  
 BLACK to HOT  
 WHITE to NEUTRAL  
 GREEN (2 wires) to GROUND

5) Carefully secure the canopy to the base plate with the two screws provided.

