

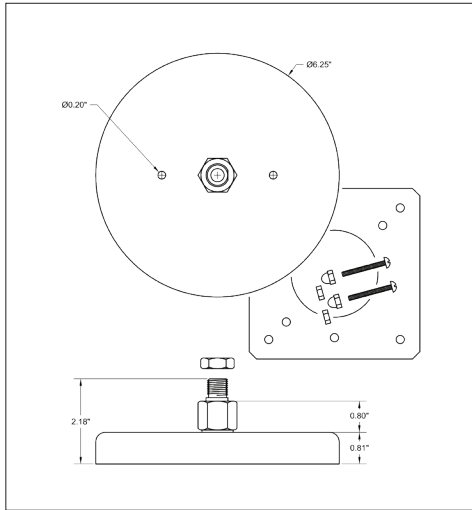
Canopies & Table Bases

Add suffix **B**-black, **W**-white **S**-silver. Custom colors available by request.

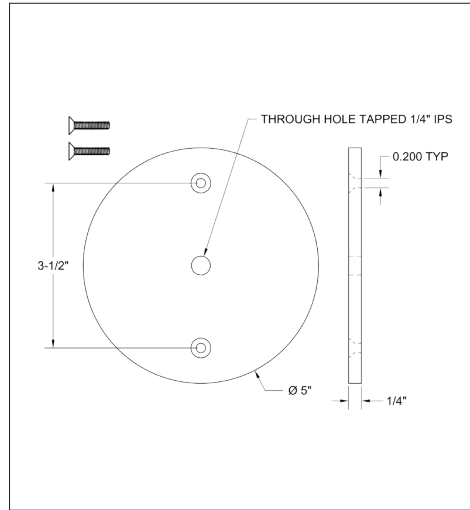


5 Holt Drive
Stony Point, NY 10980
845-947-3034
www.tslight.com

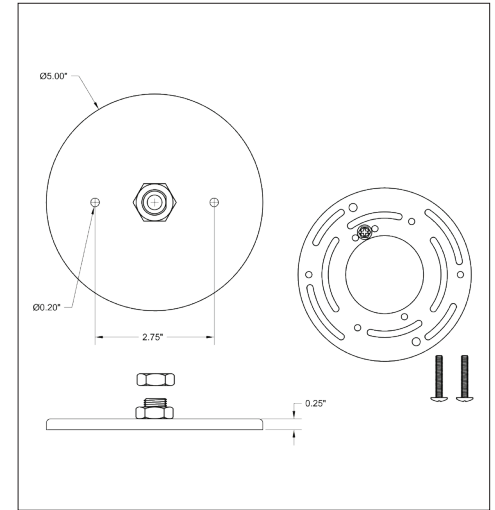
CANOPIES



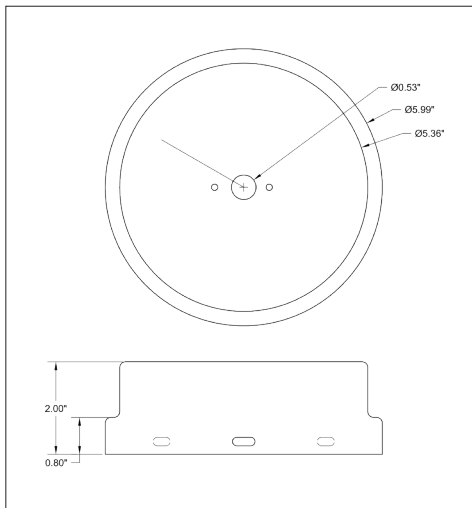
CM4 Canopy can be mounted to any standard electrical box using the provided Adapter Plate. Optional fixture mounting nipple with nut is 1/4"-18.



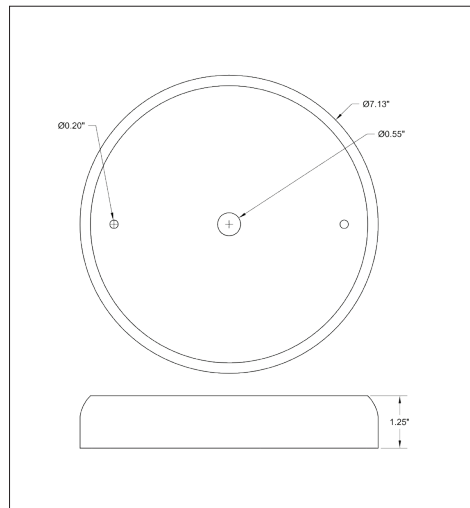
CM2 Canopy can be mounted to any standard 4" round or octagon electrical box using the provided 8-32 screws.



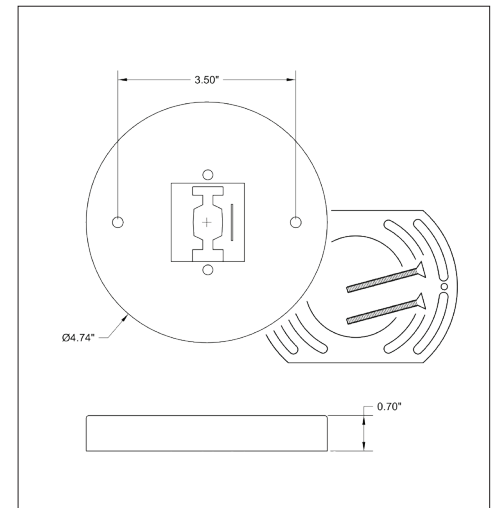
CM1 Canopy can be mounted to any standard electrical box using the provided Adapter Plate.



CM3 Canopy can be mounted to any standard electrical box using the provided CM3 Adapter Plate.

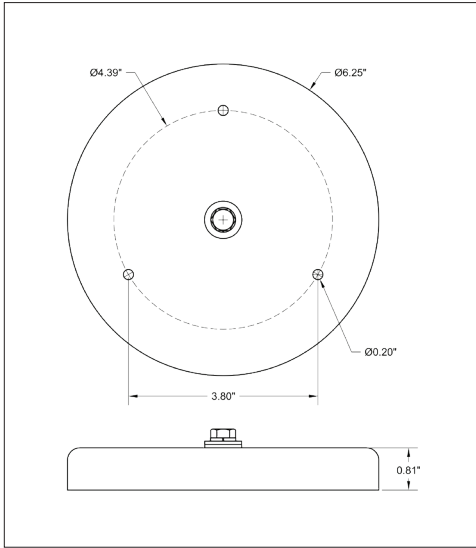


TC Canopy can be mounted to any standard electrical box using the provided TC Adapter Plate. This canopy comes equipped with terminal blocks for fixtures that require control wiring hookup.

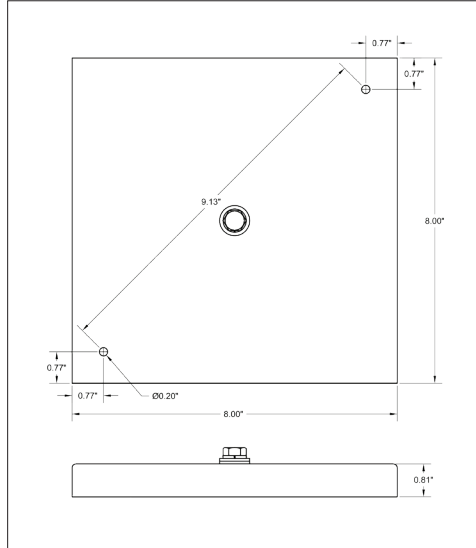


L020 AD1 Monopoint Canopy can be mounted to any standard 3-1/2" or 4", round or octagon electrical box using the provided L020 Adapter Plate and the provided 8-32 screws.

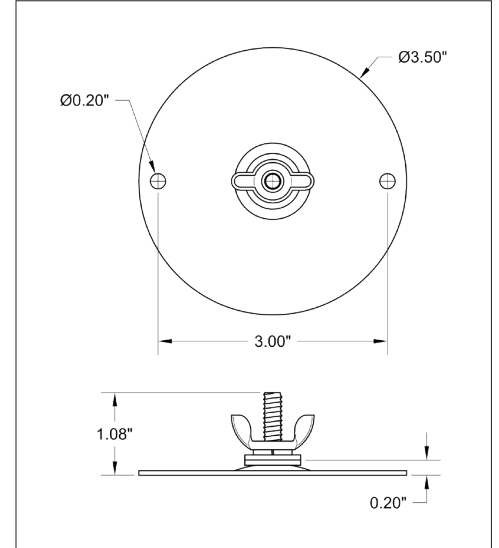
TABLE BASES



TB4 Table Base for lightweight fixtures can be mounted to any flat surface. Fixture mounting bolt is 1/4\"-20 TPI x 1/2\".



TB8 Table Base for heavy fixtures can be mounted to any flat surface. Fixture mounting bolt is 5/16\"-18 TPI x 1/2\".



TB3 Table Base for lightweight fixtures can be mounted to any flat surface. Fixture mounting stud is 1/4\"-20 TPI x 7/8\" , wingnut provided.