



ACR Series

Casambi Wireless



5 Holt Drive,
Stony Point, NY 10980
845-947-3034
info@tslight.com

It is designed for short to medium throw applications. The ACR Series can be fitted with up to three accessories, including barn doors, louvers and lenses. This versatile fixture is available with a wide variety of mounting options. Casambi Bluetooth allows for a wide range of customization with wireless control.

The ACR Series is available in standard black, white, or silver finishes. Custom colors are available upon request.

Manufactured in the USA - IBEW



CASAMBI

Construction

- Aluminum housing with black, white or silver finish
- Accepts up to 3 accessories
- Weight: 3 lbs.

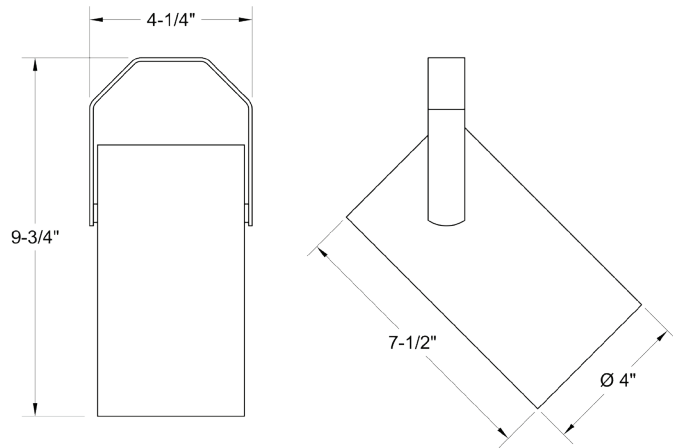
Electrical

- Integral electronic driver
- 100-277V, 50/60Hz
- Meets FCC 47 CFR Part 15/18 Requirements

Dimming

The Casambi app works as one of the user interfaces in a Casambi lighting control solution, as the commissioning tool and as well as a remote gateway.

The Casambi app works with iOS and Android devices, and the app is free to download by any end-user.



LED

- Cree XLamp LED array
- Color temp options: 2700K, 3000K, 3500K, 4000K, 5000K, 5700K, 6500K
- CRI: 80 standard or 92 optional (97 CRI Available, consult factory)
- Lumen maintenance: 90% of initial lumen output at 33,000 hours on LM-80 testing
- No UV or IR

Model	CRI	Total Wattage	Lumens	Efficacy (Lm/W)
ACR21	92	17.4	2100	121
ACR23	80	17.4	2300	132
ACR25	92	19.8	2500	125
ACR28	92	22.3	2000	125
ACR29	80	19.8	2800	146
ACR32	80	22.3	3250	145

Total wattage equals LED plus driver. Delivered lumen may vary depending on LED module, color temperature, optics, and accessories. Testing done with 3000K LED array.

Ordering Matrix

Model	Lumens	CRI	Color Temp	Finish	Voltage	Optics	Mounting	Dimming †	Accessories
ACR	21 = 2100 23 = 2300 25 = 2500 28 = 2800 29 = 2900 32 = 3200	80 92	27 = 2700K 30 = 3000K 35 = 3500K 40 = 4000K 50 = 5000K 57 = 5700K 65 = 6500K	B = Black W = White S = Silver CC = Custom Color	120 240 277	10 = 10° 20 = 20° 40 = 40° 60 = 60°	See Mounting Options	CS = Casambi Wireless	See Accessory Options

Maximum ambient temperature: 35°C
Maximum operating angle: 45° from vertical

Example: ACR21-92-27-B-120-20-T1-CS-BD2

ACR - - - - -

*Specification sheets are subject to change without notice.

Photometric Data

Distance	20° Spot Reflector Beam Spread	Footcandles					
		ACR21	ACR23	ACR25	ACR28	ACR29	ACR32
5'	1'7"	282	315	340	384	397	441
10'	3'5"	71	79	85	96	100	111
15'	5'3"	31	35	38	43	44	49
20'	7'1"	18	20	22	24	25	28
25'	8'8"	11	13	14	16	16	18
30'	10'6"	8	9	10	11	11	12

Distance	40° Medium Flood Reflector Beam Spread	Footcandles					
		ACR21	ACR23	ACR25	ACR28	ACR29	ACR32
5'	3'6"	168	188	203	229	237	263
10'	7'3"	42	47	51	57	59	66
15'	10'9"	19	21	23	26	26	29
20'	14'6"	11	12	13	15	15	17
25'	18'2"	7	8	9	10	10	11
30'	22'2"	5	5	5	6	6	7

Distance	60° Medium Flood Reflector Beam Spread	Footcandles					
		ACR21	ACR23	ACR25	ACR28	ACR29	ACR32
5'	5'7"	102	118	127	144	149	165
10'	11'6"	26	30	32	37	38	42
15'	17'3"	11	13	14	16	16	18
20'	23'1"	6	7	8	9	9	10
25'	28'9"	5	6	6	7	8	8
30'	35'2"	-	5	5	6	6	7

Extension Wands

SP 12	12" Stem
SP 18	18" Stem
SP 24	24" Stem
SP X	Custom Length

Mounting Options

DT2 2-circuit track adapter for SpecTrack databus. 120V.

HDT2 2-circuit track adapter for SpecTrack databus. 277V.

AD1 Track adapter for commercial grade 1-circuit track. Good for use with small, lightweight fixtures.

TA2 Track adapter for G-Series specification grade 2-circuit track. 120V.

HTA2 Track adapter for G-Series specification grade 2-circuit track. 277V.

TA3 Track adapter for G-Series specification grade 3-circuit track. 120V.

CM4 Canopy Mount

USI 6⁵/₈" x 1¹/₂" Unitrut Adapter

TB8 8" x 8" Portable table base for floor and table use

MC Light duty pipe clamp for small fixtures. For pipes up to 1⁵/₁₆" O.D.

MN Medium duty pipe clamp for small to large fixtures. For pipes up to 2" O.D.

PC9M Heavy duty pipe clamp for large, heavy fixtures. For pipes up to 2" O.D.

Accessories

BD20	Barndoor
LV22	Full Size Louver
XL22	Full Size X Baffle Louver
XH22	Full Size X Baffle Hood
HD22	Hood/Snoot
X00517	Accessory Holder
LV18*	Honeycomb Louver
FX22-26	Red Filter
FX22-80	Blue Filter
FX22-64	Light Blue Filter
FX22-90	Green Filter
FX22-21	Amber Filter
FX22-10	Yellow Filter
FX22-33	Pink Filter
DF22*	Glass Color Filter
OF22-9101*	Smoothing Frost Filter
CC18	Coil Cord Option
SC024	Safety Cable

* X00517 Required

* Wide range of colors available.