



LXT13 13W

1300 Lumen LED



5 Holt Drive,
Stony Point, NY 10980
845-947-3034
info@tslight.com

The LXT13 is designed around the Xicato™ LED remote phosphor module. This module produces an even field of illumination for the most demanding applications. The LXT13 is ideal for museum and retail lighting where a low wattage, high output LED fixture would be required. Xicato™ LEDs exceed ANSI specifications by maintaining tight color consistency over the life of the LED module.

The LXT13 is available in standard black, white, or silver finishes. Custom colors are available upon request.

Manufactured in the USA - IBEW



XICATO

Construction

- Aluminum housing with black, white or silver finish
- Accepts accessories
- Weight: 3 lbs.

Electrical

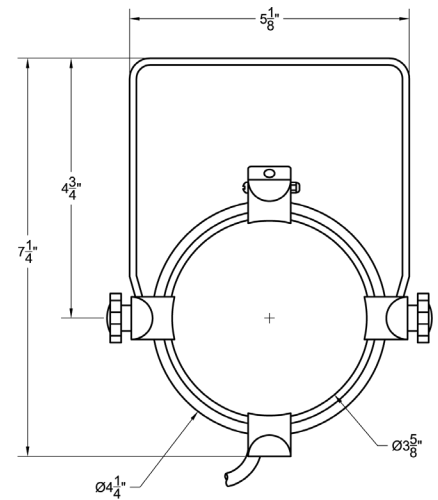
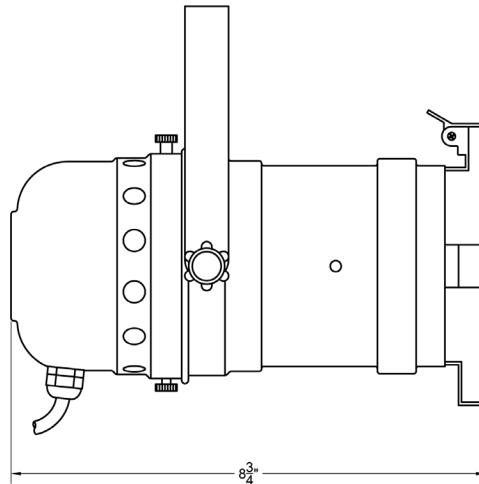
- Integral electronic driver
- 100-277V, 50/60Hz
- Meets FCC 47 CFR Part 15/18 Requirements

Optics

- 20°, 40°, and 60° Field-changable reflectors
- CBCP:
 - 4950 @ 20°
 - 2750 @ 40°
 - 1495 @ 60°

Dimming

- Trailing edge (ELV): 120V only
- Leading edge (Triac): 120V only
- 0-10V: 120-277V with surface mounting. For track applications, use E-series 2-circuit with data bus



LED

- Xicato™ cold remote phosphor LED module
- Color temp options: 2700K, 3000K, 3500K, 4000K
- CRI: 83 standard or 98 optional (R9=96)
- Lumen maintenance: 86% of initial lumen output at 50,000 hours on LM-80 testing
- SDCM: 1 x 2 MacAdam Elipse. 50 kelvin tolerance
- No UV or IR

| Module | Total Wattage | Delivered Lumen | Efficacy (Lm/W) | CRI |
|--------|---------------|-----------------|-----------------|-----|
| 83 | 13 | 1235 | 95 | 83 |
| 98 | 17 | 1235 | 67 | 98 |

*Total wattage equals LED plus driver. Delivered lumen may vary depending on LED module, color temperature, optics, and accessories.

Ordering Matrix

| Model | LED Module | Color Temp | Finish | Voltage | Optics | Mounting | Dimming* | Accessories |
|-------|------------|--|---|--------------------------|---|----------------------|--|-----------------------|
| LXT13 | 83 98 | 27 = 2700K 30 = 3000K 35 = 3500K 40 = 4000K | B = Black W = White S = Silver CC = Custom Color | 100 120 240 277 | 20 = 20° 40 = 40° 60 = 60° ZO = Zoom Optic | See Mounting Options | TE = Trailing Edge LE = Leading Edge 010 = 0-10V ND = Non-Dimming | See Accessory Options |

Maximum ambient temperature: 35°C
Maximum operating angle: 45° from vertical

* See "Notes on Dimming" on reverse

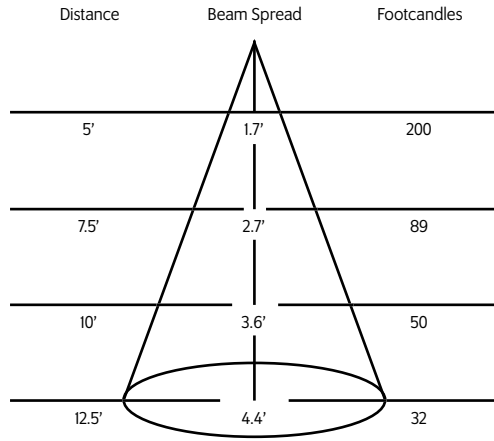
Example: LXT13-98-35-B-100-40-CM4-BD43-SP12

LXT13- - - - -

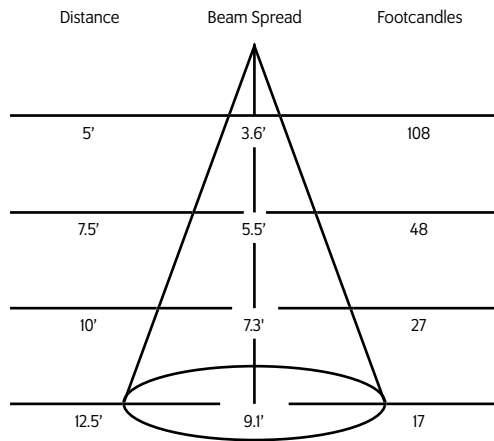
* Specification sheets are subject to change without notice.

Photometric Data 3000° K 83CRI

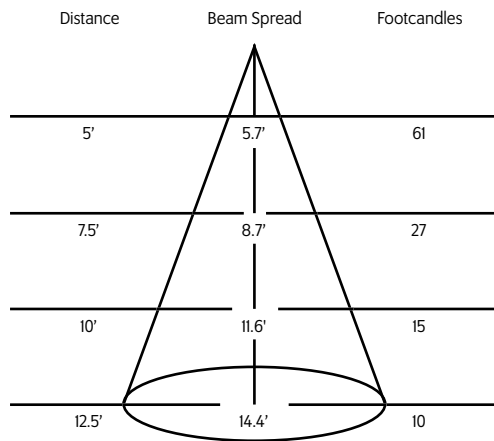
20° Spot Reflector



40° Medium Flood Reflector



60° Flood Reflector



Mounting Options

DT2 2-circuit track adapter for SpecTrack databus. 120V.

HDT2 Track adapter for SpecTrack 2-Circuit data track. 277V.

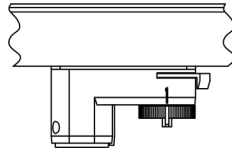
T1 Track Adapter for commercial grade 1 & 2 circuit track. 120V. For use with larger, heavier fixtures.

TA1 Track adapter for E-Series specification grade track. 1 circuit. 120V.

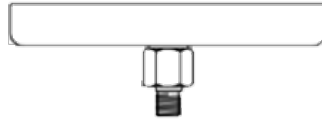
TA2 Track adapter for G-Series specification grade 2-circuit track. 120V.

HTA2 Track adapter for G-Series specification grade 2-circuit track. 277V.

TA3 Track adapter for G-Series specification grade 3-circuit track. 120V.



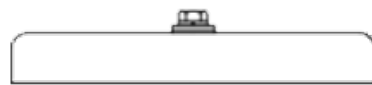
CM4 Canopy Mount



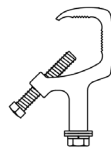
US1 6 $\frac{5}{8}$ " x 1 $\frac{1}{2}$ " Unitrut Adapter



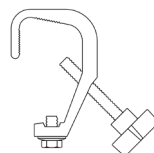
TB4 6 $\frac{1}{4}$ " Portable wall mount/table base floor, wall or table use.



MC Light duty pipe clamp for small fixtures. For pipes up to 1 $\frac{5}{16}$ " O.D.



MN Medium duty pipe clamp for small to large fixtures. For pipes up to 2" O.D.



Accessories

| | |
|------------------|-----------------------|
| X00517* | Glass/Dichroic Holder |
| BD43 | Barndoor |
| LV18 | Louwer |
| FX22-26 | Red Filter |
| FX22-80 | Blue Filter |
| FX22-64 | Light Blue Filter |
| FX22-90 | Green Filter |
| FX22-21 | Amber Filter |
| FX22-10 | Yellow Filter |
| FX22-33 | Pink Filter |
| DF22 | Dichroic Color Filter |
| OF22-9101 | Lite Diffusion |
| CC18 | Coiled Cord |
| SC-24 | Safety Cable |

* Required accessory when using glass or dichroic filters

Extension Wands

| | |
|--------------|---------------|
| SP 12 | 12" Stem |
| SP 18 | 18" Stem |
| SP 24 | 24" Stem |
| SP X | Custom Length |

* For notes on dimming, please [click here](#).