



TCR Series

CREE LED



5 Holt Drive
Stony Point, NY 10980
845-947-3034
www.tslight.com

The TCR emphasizes efficiency and economy and boasts the highest lumens per watt rating of any Times Square Lighting fixture to date. It is designed for a short to medium throw applications. The TCR can be fitted with up to three accessories, including barn doors, louvers and filters. This versatile fixture is available with a wide variety of mounting and dimming options, allowing for a huge range of customization possibilities.

The TCR is available in standard black, white, or silver finishes. Custom colors are available upon request.

Manufactured in the USA - IBEW



Construction

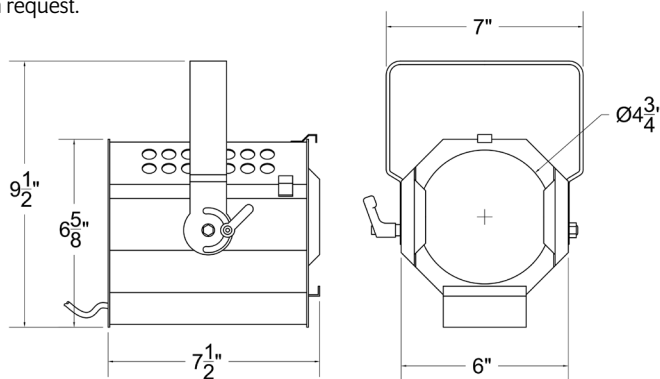
- Steel & aluminum housing with black, white or silver finish
- Accepts up to 3 accessories
- Weight: 3.9 lbs.

Electrical

- Integral electronic driver
- 100-277V, 50/60Hz
- Meets FCC 47 CFR Part 15/18 Requirements

Dimming

- Trailing edge (ELV): 120V / 277V
- Leading edge (Triac): 120V only
- 0-10V: 120V only (DataTrack), 120-277V otherwise
- IP (Integral Pot) dimming available.



LED

- Cree XLamp LED array
- Color temp options: 2700K, 3000K, 3500K, 4000K, 5000K, 5700K, 6500K
- CRI: 80 standard or 92 optional
- Lumen maintenance: 90% of initial lumen output at 33,000 hours on LM-80 testing
- No UV or IR

Model	CRI	Total Wattage	Delivered Lumens	Efficacy (Lm/W)
TCR9	80 / 92	5.6 / 6.4	900 / 900	161 / 141
TCR12	80 / 92	7.7 / 9.0	1200 / 1200	156 / 133
TCR15	80 / 92	9.7 / 11.4	1500 / 1500	155 / 132
TCR18	80 / 92	11.4 / 15.0	1800 / 1800	158 / 120
TCR20	80 / 92	13.3 / 15.8	2000 / 2000	150 / 127
TCR25	80 / 92	18.0 / 23.4	2500 / 2500	139 / 107
TCR27	92	25.0	2700	108
TCR30	80 / 92	23.4 / 30	3000 / 3000	128 / 100
TCR35	80	30.0	3500	117

* Total wattage equals LED plus driver. Delivered lumen may vary depending on LED module, color temperature, optics, and accessories. Testing done with 3000K LED array.

Ordering Matrix

Model	Lumens	CRI	Color Temp	Finish	Voltage	Optics	Mounting	Dimming †	Accessories
TCR	9 = 900 / 900 12 = 1200 / 1200 15 = 1500 / 1500 18 = 1800 / 1800 20 = 2000 / 2000 25 = 2500 / 2500 27 = 2700* 30 = 3000 / 3000 35 = 3500**	80 92	27 = 2700K 30 = 3000K 35 = 3500K 40 = 4000K 50 = 5000K 57 = 5700K** 65 = 6500K**	B = Black W = White S = Silver CC = Custom Color	100 ^{††} 120 240 277	20 = 20° 25 = 25° 40 = 40° 60 = 60° ZO^ = Zoom Optics	See Mounting Options	TE = Trailing Edge*** LE = Leading Edge† 010 = 0-10V ND = Non-Dimming IP = Integral Pot*** DMX = DMX Basic ECP = Ecosystem premier 0.1% dim	See Accessory Options

Maximum ambient temperature: 35°C
Maximum operating angle: 45° from vertical

* 92 CRI Only ** 80 CRI Only ^Maximum 2000 Lumens
*** 277V TE & IP Dimming available on 1800, 2500 & 3000 lumen,
80 CRI and 1500 & 2700 lumen, 92 CRI only.

† See "Notes on Dimming"

†† Non-Dim or 0-10V dimming only
‡ 120V Only

Example: TCR-12-80-27-B-120-20-AD1-TE-BD17

TCR - - - - -

* Specification sheets are subject to change without notice.

Optics

- 20°, 40°, and 60° Field-changable reflectors

CBCP:	TCR9	TCR12	TCR15	TCR18	TCR20	TCR25	TCR30	TCR35
20°	3100	4250	5500	6030	6700	8600	11000	13900
40°	1850	2500	3250	3600	4000	5100	6500	7100
60°	980	1350	1750	2100	2425	3200	3700	4150

* Testing done at 3000K, 80 CRI.

Photometric Data

Distance	20° Spot Reflector Beam Spread	Footcandles							
		TCR9	TCR12	TCR15	TCR18	TCR20	TCR25	TCR30	TCR35
5'	1.7'	126	170	220	241	268	344	440	556
10'	3.5'	31	43	55	60	67	86	110	139
15'	5.3'	14	19	24	27	30	38	49	62
20'	7.1'	8	11	14	15	17	22	28	35
25'	8.8'	5	7	9	10	11	14	18	22
30'	10.6'	-	6	6	7	7	10	12	15

Distance	40° Medium Flood Reflector Beam Spread	Footcandles							
		TCR9	TCR12	TCR15	TCR18	TCR20	TCR25	TCR30	TCR35
5'	3.6'	74	100	130	144	160	204	260	284
10'	7.3'	19	25	33	36	40	51	65	71
15'	10.9'	8	11	15	16	18	23	29	32
20'	14.6'	5	6	8	9	10	13	16	18
25'	18.2'	-	-	5	6	6	8	10	11
30'	22.2'	-	-	-	-	-	6	7	8

Distance	60° Flood Reflector Beam Spread	Footcandles							
		TCR9	TCR12	TCR15	TCR18	TCR20	TCR25	TCR30	TCR35
5'	5.7'	39	54	70	85	97	128	148	166
10'	11.6'	10	14	18	21	24	32	37	42
15'	17.3'	5	6	8	9	11	14	16	18
20'	23.1'	-	5	5	5	6	8	9	10
25'	28.9'	-	-	-	-	5	5	6	7
30'	35.2'	-	-	-	-	-	-	-	5

Extension Wands

SP 12	12" Stem
SP 18	18" Stem
SP 24	24" Stem
SP X	Custom Length

Mounting Options

DT2 2-circuit track adapter for SpecTrack databus. 120V.

HDT2 Track adapter for SpecTrack 2-Circuit data track. 277V.

T1 Track Adapter for commercial grade 1 & 2 circuit track. 120V. For use with larger, heavier fixtures.

TA2 Track adapter for G-Series specification grade 2-circuit track. 120V.

HTA2 Track adapter for G-Series specification grade 2-circuit track. 277V.

TA3 Track adapter for G-Series specification grade 3-circuit track. 120V.

CM4 Canopy Mount

US1 6 $\frac{5}{8}$ " x 1 $\frac{1}{2}$ " Uniruit Adapter

TB8 8" x 8" Portable table base for floor and table use

MN Medium duty pipe clamp for small to large fixtures. For pipes up to 2" O.D.

PC9C Heavy duty pipe clamp for large, heavy fixtures. For pipes up to 2" O.D.

Accessories

LV17	Louwer
BD17	Barndoor
HD17	Hood
X00517	Glass/Dichroic Holder
FX22-26*	Red Filter
FX22-80*	Blue Filter
FX22-64*	Light Blue Filter
FX22-90*	Green Filter
FX22-21*	Amber Filter
FX22-10*	Yellow Filter
FX22-33*	Pink Filter
OF22-9101*	Smoothing Frost Filter
OF22-0S20*	20° Beam Softener
OF22-1060*	Linear Spread 10 x 60 Degree
OF22-0S30*	Beam Soft Filter
OF22-0S40*	40/60 Degree Diffusion
GF22-600*	5°x50° Linear Lens
GF22-601*	Beam Softener
GF22-673*	50°x50° Spread Lens
CC18	Coiled Cord
SC-24	Safety Cable

* X00517 Required.

* For notes on dimming, please [click here](#).