

DWMK3

SORAA DIM-TO-WARM LED

MANUFACTURED IN THE UNITED STATES



SORAA VIVID-Warm Dim lamps mimic warmer hues found in natural light, while preserving the company's flagship optical and color rendering performance throughout the dimming range. The warm dimming lamp series is the perfect option for a broad range of indoor and outdoor lighting applications with an emphasis on warmer hues.

Warm dimming capabilities give designers the flexibility to create warmer, more intimate environments. The color point mimics halogen from 2700K to 1800K, while maintaining 95 CRI and 95 R9 values throughout the dimming range.

Additional fixture features include an internal self-locking yoke, adjustable head and hinged front for easy re-lamping. Internal accessory holder accepts louvers, barndoors, hoods and a variety of filters. Available in standard black, white and silver finishes. Custom colors are available by request and at an additional charge.

Lamp	Watts	CRI	Lumens
Vivid Warm Dim	19	95 (R9 = 95)	1000

FEATURES

- 120, 220 and 277-volt available
- Integral 12-volt dimmable driver
- Use with trailing edge & leading edge phase cut dimmers.
- 2700K to 1800K Dim-to-Warm.
- Beam angles of 25 and 36 degree.
- Rated life of 35,000 hours
- Numerous mounting options and accessories
- Dimmable
- **Weight: 2 lbs.**

FINISH

- B Black
- W White
- S Silver
- CC Custom Color

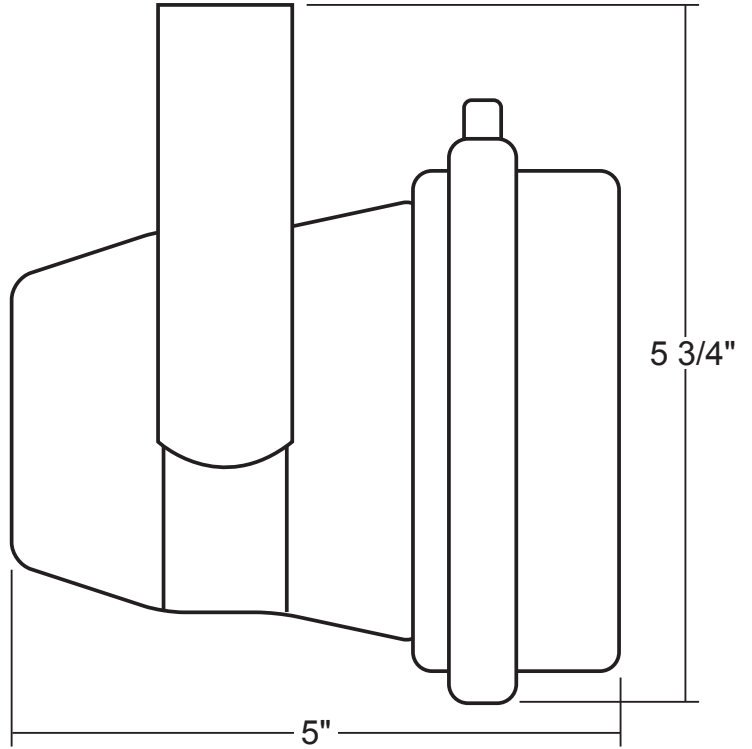
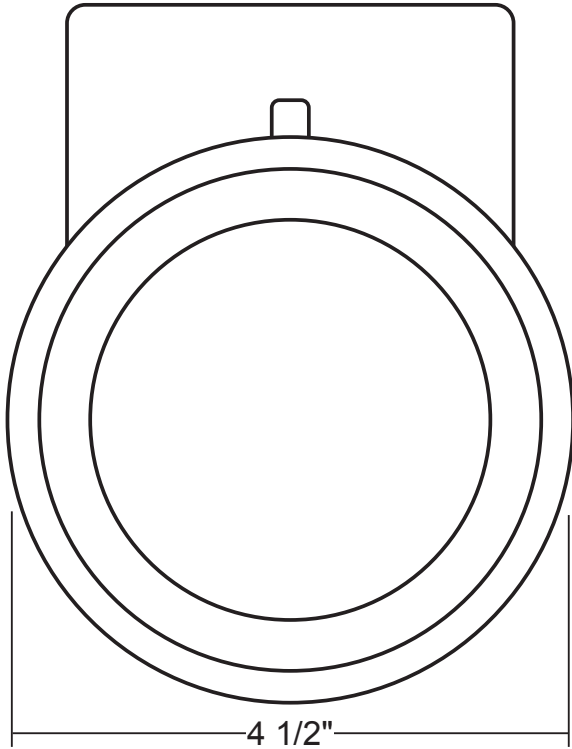
IES FILES

Visit tslight.com to find comprehensive IES data.

DWMK3

SORAA DIM-TO-WARM LED

MANUFACTURED IN THE UNITED STATES



PHOTOMETRIC DATA

25° Degree Beam

Distance	Beam Spread	Footcandles
3'	2.2'	552
6'	4.4'	161
9'	6.6'	77
12'	8.7'	45
15'	10.9'	26

36° Degree Beam

Distance	Beam Spread	Footcandles
3'	3.5'	255
6'	6.9'	74
9'	10.4'	36
12'	13.9'	21
15'	17.3'	12

MOUNTING OPTIONS	FIXTURE ACCESSORIES
<p>AD1 Track Adapter for commercial grade 1-circuit track. 120V. For use with lightweight fixtures.</p> <p>DT2 Track adapter for SpecTrack 2-Circuit data track. 120V.</p> <p>HDT2 Track adapter for SpecTrack 2-Circuit data track. 277V.</p> <p>TA2 / HTA2 (277) Track adapter for G-Series specification grade 2-circuit track. 120V or 277V.</p> <p>TA3 Track adapter for G-Series specification grade 3-circuit track. 120V.</p> <p>CM1 Canopy mount</p> <p>US1 6 5/8" x 1 1/2" Unistrut adapter.</p> <p>TB4 6 1/4" Portable wall mount/table base floor, wall or table use.</p> <p>TB8 8" x 8" Portable table base for floor or table use.</p> <p>MC Light duty pipe clamp for small fixtures. For pipes up to 1 5/16" O.D.</p> <p>MN Medium duty pipe clamp for small to large fixtures. For pipes up to 2" O.D.</p>	<p>LV6 Louver</p> <p>XL6 Cross Baffle Louver</p> <p>BD6 Barndoor</p> <p>HD6 Hood</p> <p>XH6 Cross Baffle Hood</p> <p>GS6 AR111 Glass Shield</p> <p>CF6 Color Frame</p> <p>GF6 Glass Color Filter</p> <p>DF6 Dichroic Color Filter</p> <p>GF10-600 5°x50° Linear Lens</p> <p>GF10-601 Beam Softener</p> <p>GF10-673 50°x50° Spread Lens</p> <p>GF10-702 UV Blocking Filter</p> <p>CC18 Coiled Cord</p> <p>SC-24 Safety Cable</p> <p>IP Integral Dimmer</p> <p>WL Wrench Locking</p>
<p>EXTENSION WANDS</p> <p>SP 12 12" Stem</p> <p>SP 18 18" Stem</p> <p>SP 24 24" Stem</p> <p>SP X Custom Length</p>	<p>CONNECTOR / PLUG TYPES (OPTIONAL)</p> <p>ED Edison Connector</p> <p>TL Twist Lock Connector</p> <p>SP Stage Pin Connector</p>

DWMK3

SORAA DIM-TO-WARM LED

MANUFACTURED IN THE UNITED STATES



SPECIFY:

MODEL	FINISH	OPTICS
DWMK3	B = Black W = White S = Silver CC = Custom Color	25 = 25° Degree 36 = 36° Degree
MOUNTING OPTIONS		FIXTURE ACCESSORIES
See Mounting Options for Ordering Codes		See Fixture Accessories Options for Ordering Codes

ORDERING INFORMATION

PROJECT:	
LOCATION:	
QUANTITY:	
CONTACT:	
PHONE:	
EMAIL:	

EXAMPLE: DWMK3-B-25-AD1-LV6

MODEL	FINISH	OPTICS	MOUNTING OPTIONS	FIXTURE ACCESSORIES
DWMK3				