

# MOSAIC WALL WASH

## Color Mixing - Tunable White

The Mosaic Wall Wash features tunable color with a high CRI output. It also features tunable white from 1800K - 6500K. Rich blues, ambers, reds, violets and greens can be added in gradients or can completely saturate the output of the light. This fixture is perfect for retail applications such as car dealerships and clothing stores but is equally well suited for illuminating artwork or using it in an archtainment setting.

- 2000 Lumen Output
- 5 DMX Channels
- **Color Tuning:** RGB+ Intensity+ CCT
- **Tunable range:** 1800K-6500K tunable white
- 84 - 95 CRI
- Dimmable from 100 - 0.1% at constant CCT
- <2 MacAdam ellipse over 50,000 hour life
- Casambi Available

Manufactured in the USA - IBEW



## Power

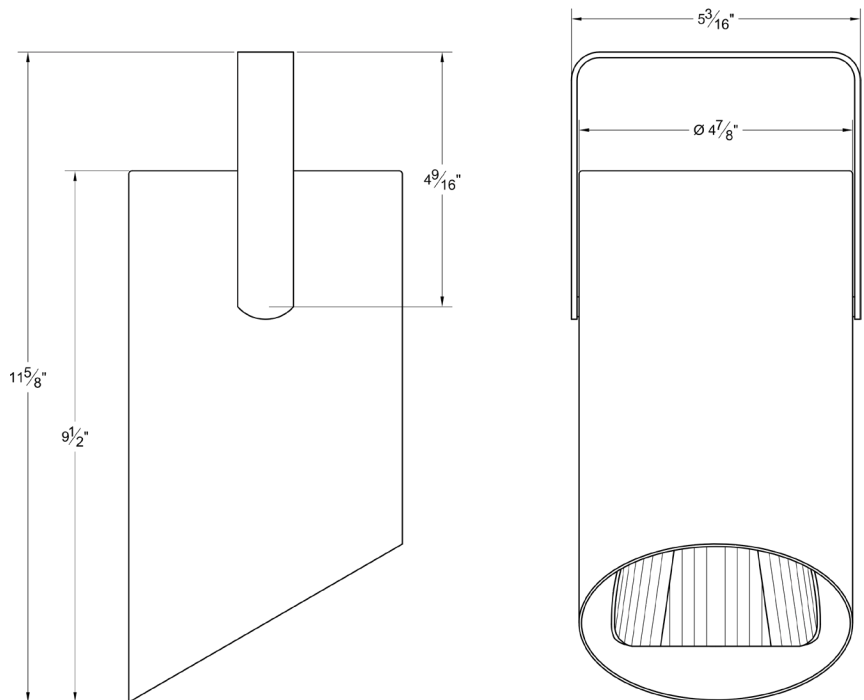
- **Power Consumption:** 31W
- **Max. Operating Temp:** 104°F (40°C) ambient
- 90 - 305 VAC, 50/60 Hz
- Do not install on a circuit containing a dimmer.
- DMX Addressing is RDM-only.

## Weight

- **Weight:** 3 lbs.

## Emitter 5-Year Warranty

The warranty on the LED Emitter used in this Times Square Lighting product shall have a five year warranty from the date of purchase.



## Ordering Matrix

Model	Finish	Mounting	Dimming
WW23-CT	B - Black W - White S - Silver CC - Custom Color	See Mounting Options	DX = DMX / RDM CS = Casambi Wireless

**Example:** WW23-CT-B-DT2-DX

WW23-CT - \_\_\_\_\_ - \_\_\_\_\_ - \_\_\_\_\_

## Mounting Options

**DT2** 2-circuit track adapter for SpecTrac databus, 120V.

**HDT2** 2-circuit track adapter for SpecTrac databus, 277V.

**DXTC** Canopy mount with terminal block for DMX.

**GAC** Track adapter for 120V global pulse track.

**CM4** Canopy mount (Casambi Wireless only).

**USI** 6 $\frac{5}{8}$ " x 1 $\frac{1}{2}$ " Unistrut Adapter (Casambi Wireless only).

**TB8** 8" x 8" Portable table base for floor and table use (Casambi Wireless only).

**MC** Light duty pipe clamp for small fixtures. For pipes up to 1 $\frac{5}{16}$ " O.D. (Casambi Wireless only).

**MN** Medium duty pipe clamp for small to large fixtures. For pipes up to 2" O.D. (Casambi Wireless only).

**PC9M** Heavy duty pipe clamp for large, heavy fixtures. For pipes up to 2" O.D. (Casambi Wireless only).

## Accessories

**CC18** Coiled Cord  
**SC-24** Safety Cable  
**WL** Wrench Locking

## Extension Wands

**SP 12** 12" Stem  
**SP 18** 18" Stem  
**SP 24** 24" Stem  
**SP X** Custom Length

## Calibrated CCT Specs:

CCT [K]	Typical CRI
1800 (min)	90
2700	93
3000	95
3500	95
4000	93
6500 (max)	84