

# PRISM PAR 7

## RGBAW-UV LED Specification Sheet



A new addition to our Prism Par family, the Prism Par 7 provides tremendous punch in a small package. This 6-in-1 7x12 Watt LED fixture features a 25° beam angle and a dual yoke/floor stand, multiple unit power linking in rugged die-cast aluminum housing.

5 Holt Drive  
Stony Point, NY 10980  
845-947-3034  
info@tslight.com



### Weight & Dimensions

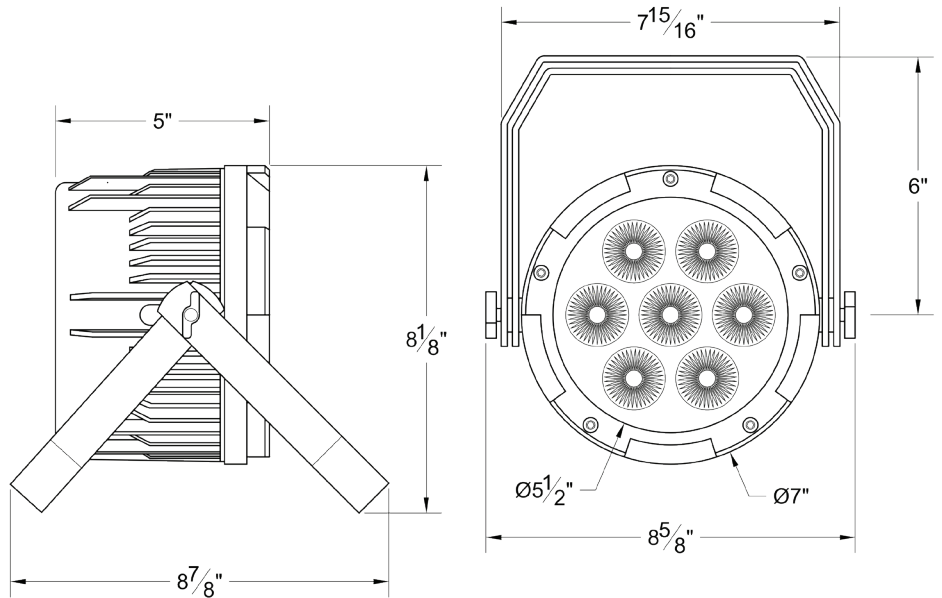
- **Dimensions:** 6.9" x 8.9" x 8.1" inches
- **Weight:** 5.7 lbs.

### Power

- **Voltage:** 100-264VAC, 47-63 Hertz
- **Power Consumption:** 84W
- PowerCon In / Out

### Optics

- 7 x 12W 6-in-1 RGBAW+UV
- 25° beam angle



### Main Features

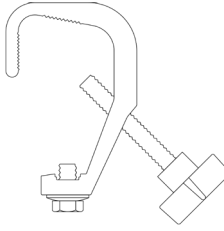
- 7 x 12W 6-in-1 RGBAW+UV LEDs, 100,000 hours
- Natural convection cooled, totally silent operation
- Variable electronic dimmer strobe
- Built-in color & chase macros via DMX
- Built-in auto programs & sound active in standalone and M/S
- Color mixing ability in standalone mode
- 25° beam angle
- User selectable 6/10-channel DMX modes
- 3-pin male input and 3-pin female output

### Control

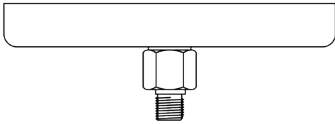
- **Protocol:** USITT DMX-512
- **DMX Channels:** 6/10
- **Input:** 3-pin XLR Male
- **Output:** 3-pin XLR Female
- Standalone, Master/Slave, Sound Active
- Color Preset

## Mounting Options

**MNB** Clamp for pipe up to 2" OD



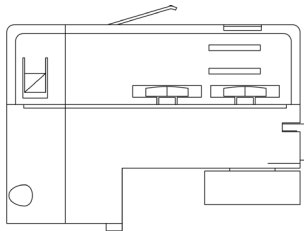
**CM4** Canopy for mounting to J-box



**US1** Unistrut mount



**DT2** Track adapter (2 Required)



## Accessories



### WINT-DMX

DMX transmitter 1000 ft. range (line of sight)

### WINR-DMX

DMX receiver 1000 ft. range (line of sight)

**AH7**

Accessory Holder

**7S**

Hood

**BD11**

Barndoor

**7CF**

Spread Lens

**SC-B**

Safety Cable